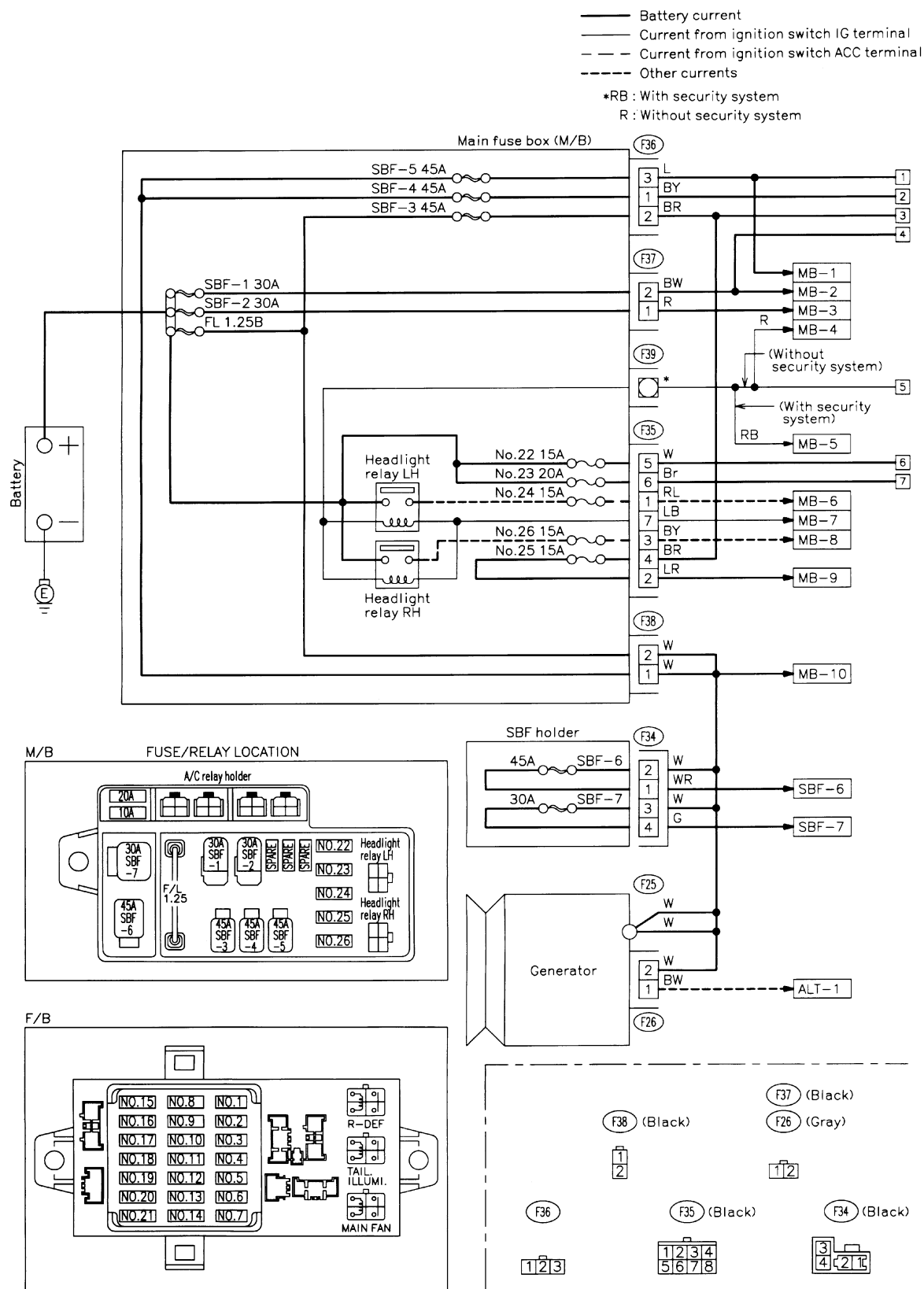


6. Wiring Diagram

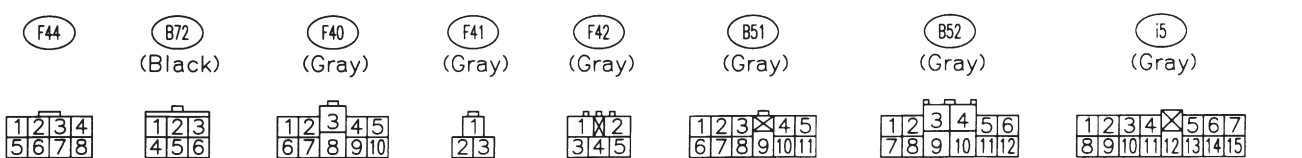
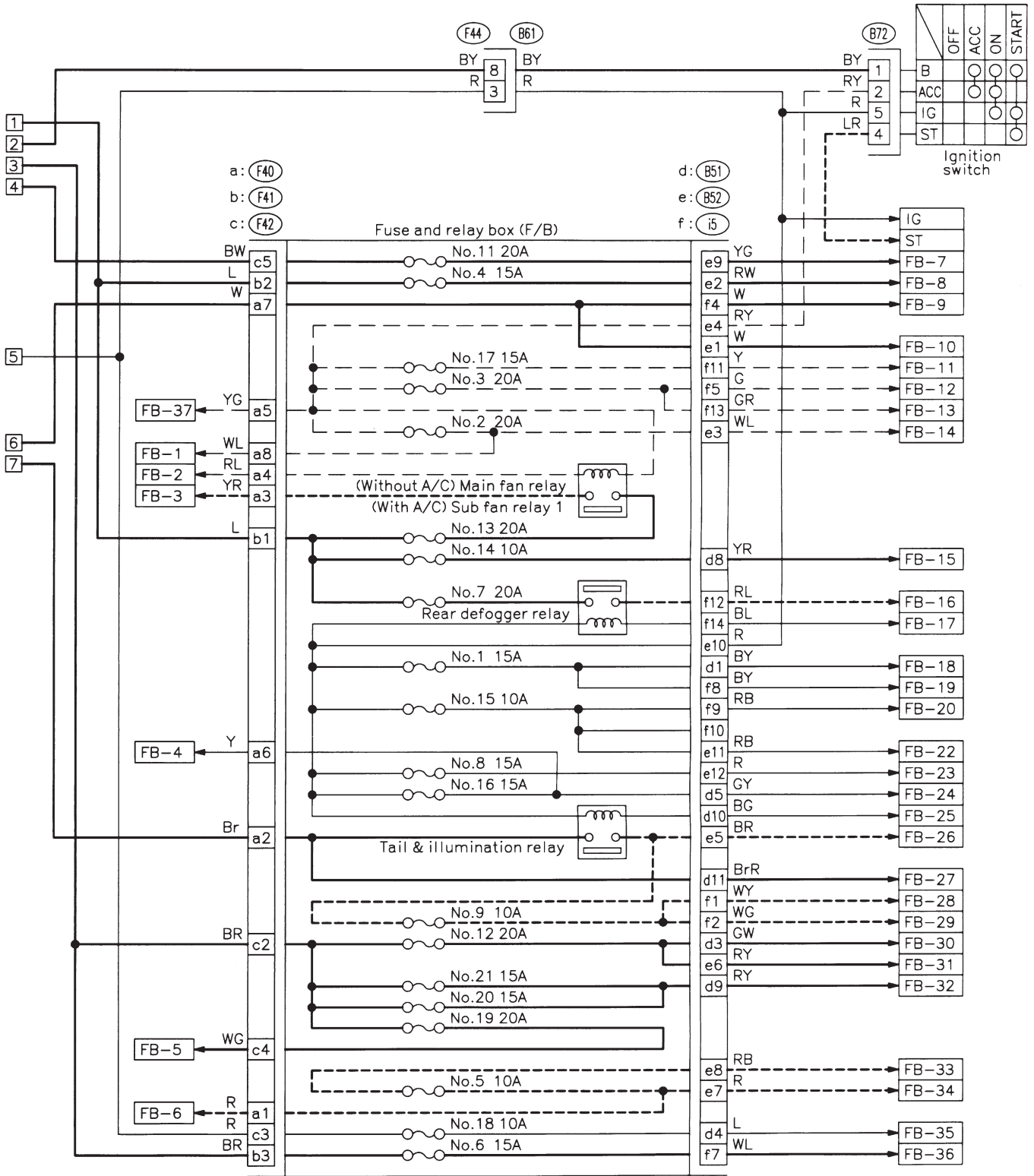
A: POWER SUPPLY ROUTING

1. LHD MODEL



WIRING DIAGRAM

[D6A1] 6-3
6. Wiring Diagram



6-3 [D6A1]

6. Wiring Diagram

WIRING DIAGRAM

No.	Load
MB-1	Fuse holder (Rear power supply & seat heater)
MB-2	Power window circuit breaker
MB-3	Data link connector Engine control module Fuel pump relay Main relay
MB-4	A/C relay holder
MB-6	Headlight LH
MB-7	Daytime running light control module Diode (Lighting) Diode (Security) Lighting switch
MB-8	Combination meter Front fog light switch Headlight RH Front fog light relay
MB-9	Door lock timer Headlight alarm relay Radio Security control module Security indicator light Spot light Room light Step light Combination meter Luggage room light Trailer connector Trunk room light
MB-10	A/C relay holder
SBF-6	ABS relay box TCS motor relay
SBF-7	TCS valve relay
ALT-1	Combination meter Daytime running light control module Diode (TCS)
IG	Headlight alarm relay
ST	Cruise control module Engine control module Inhibitor switch (AT) Interrupt relay (with security) Starter interlock relay (MT)
FB-1	Front washer motor Rear washer motor
FB-2	Engine control module Main fan relay 1
FB-3	Sub fan relay 2 Sub fan motor
FB-4	Engine control module Fuel pump relay Ignition coil Transmission control module
FB-5	ABS relay box
FB-6	Side marker light LH Side marker light RH
FB-7	Door lock timer Keyless entry control module

No.	Load
FB-8	Wiper deicer relay
FB-9	Hazard switch
FB-10	AT shift lock control module Key warning switch Power antenna
FB-11	Radio
FB-12	Front accessory power supply
FB-13	Mirror heater Rear power supply relay Remote control rearview mirror switch Security control module Vanity mirror illumination light
FB-14	AT shift lock control module Combination switch Front wiper motor Rear wiper motor Rear wiper relay
FB-15	ABS/TCS control module Transmission control module
FB-16	Rear defogger Rear defogger condenser Rear defogger switch
FB-17	Rear defogger timer
FB-18	AT shift lock control module Back-up light switch (MT) Inhibitor switch (AT)
FB-19	Hazard switch
FB-20	A/C switch Combination meter Mode control panel Rear defogger timer TCS off switch
FB-22	Blower motor relay Check connector Daytime running light control module Daytime running light relay FRESH/RECIRC actuator Hi-beam relay Keyless entry control module Power window and sunroof relay Seat belt timer Security control module Vehicle speed sensor (MT) Wiper deicer relay Wiper deicer timer
FB-23	Airbag control module
FB-24	Airbag control module
FB-25	Lighting switch
FB-26	Keyless entry control module Parking switch
FB-27	Keyless entry control module Parking switch Security control module
FB-28	Illumination light
FB-29	Illumination light

WIRING DIAGRAM

[D6A1] 6-3
6. Wiring Diagram

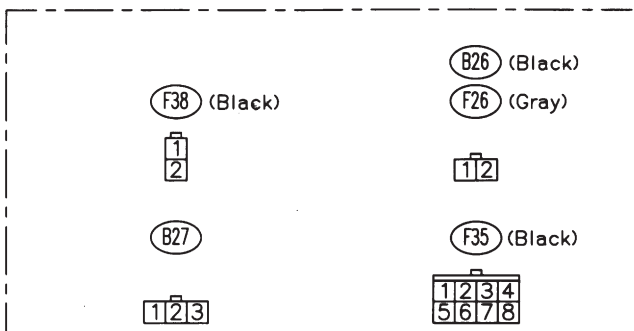
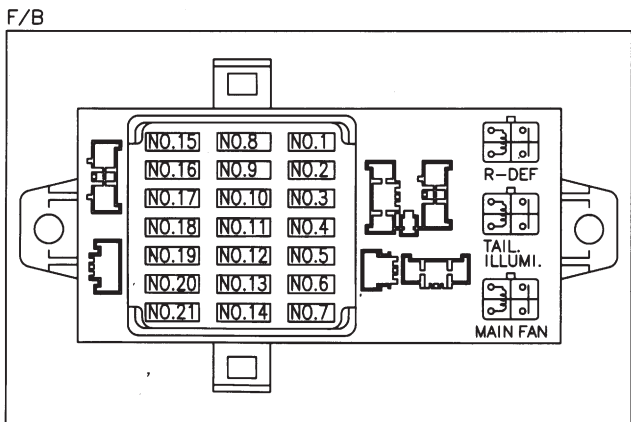
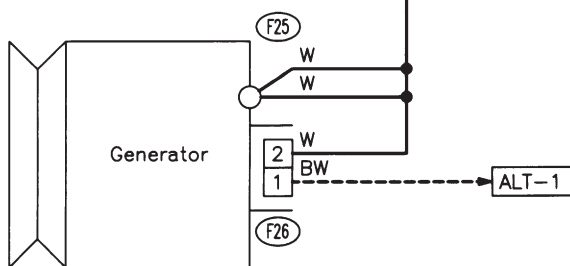
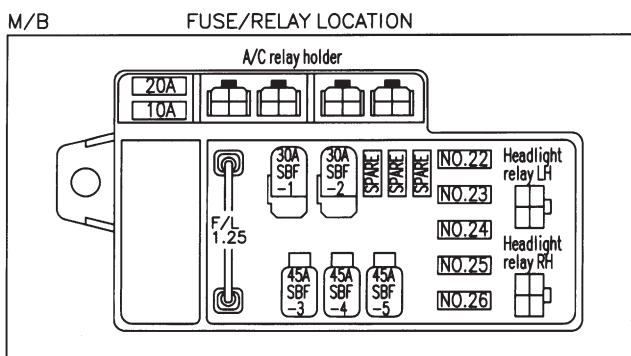
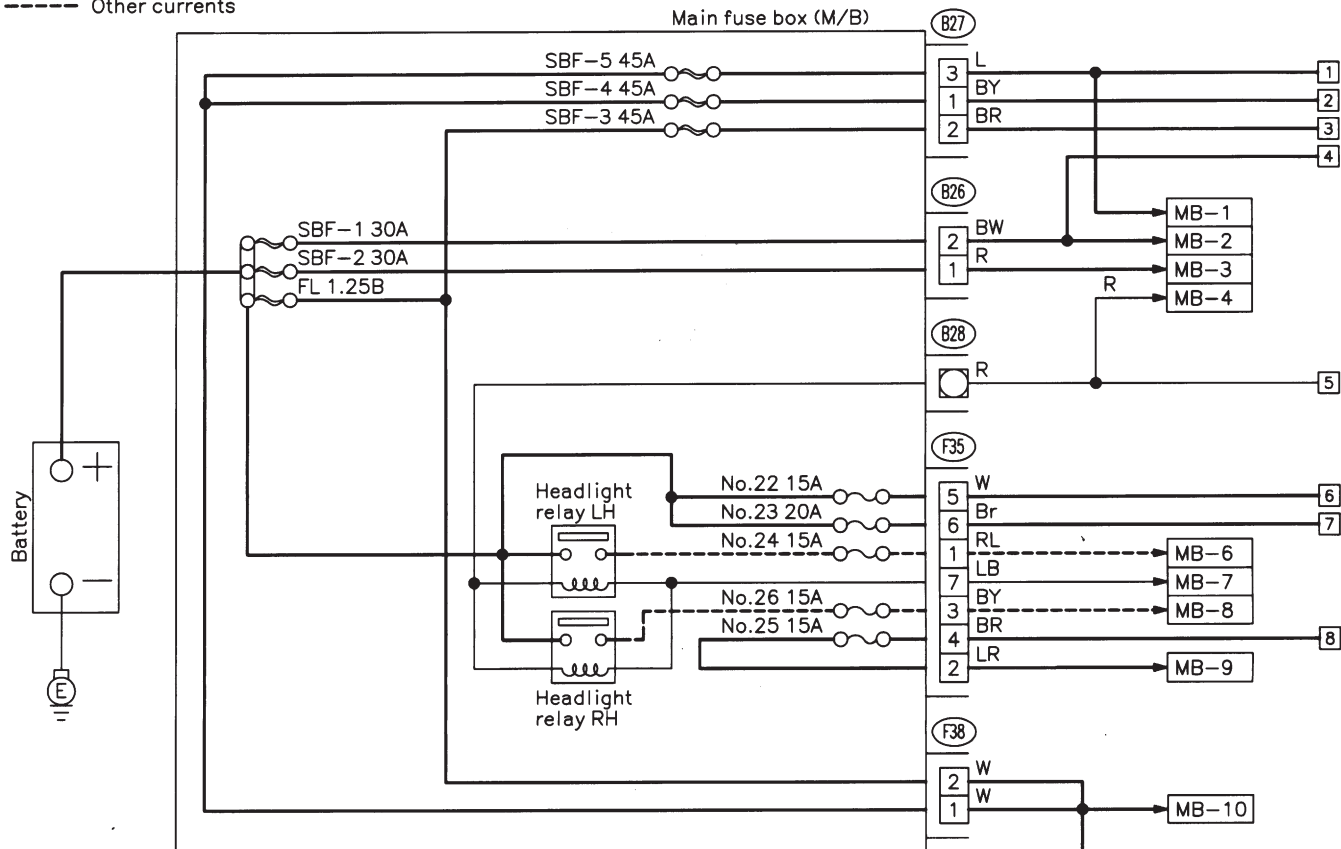
No.	Load
FB-30	Pedal stroke switch Stop light switch Stop & brake switch
FB-31	Horn relay Siren (with security)
FB-32	Blower motor relay
FB-33	Parking switch Security control module
FB-34	License plate light Rear combination light LH Rear combination light RH Rear finisher light LH Rear finisher light RH
FB-35	ABS control module ABS/TCS control module TCS valve relay Cruise control main switch Cruise control module
FB-36	Front fog light relay
FB-37	Main fan relay 1

6-3 [D6A2]
6. Wiring Diagram

WIRING DIAGRAM

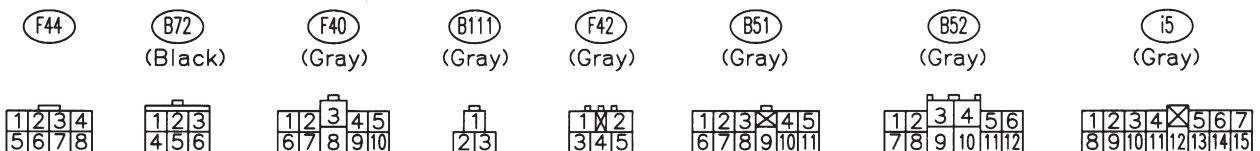
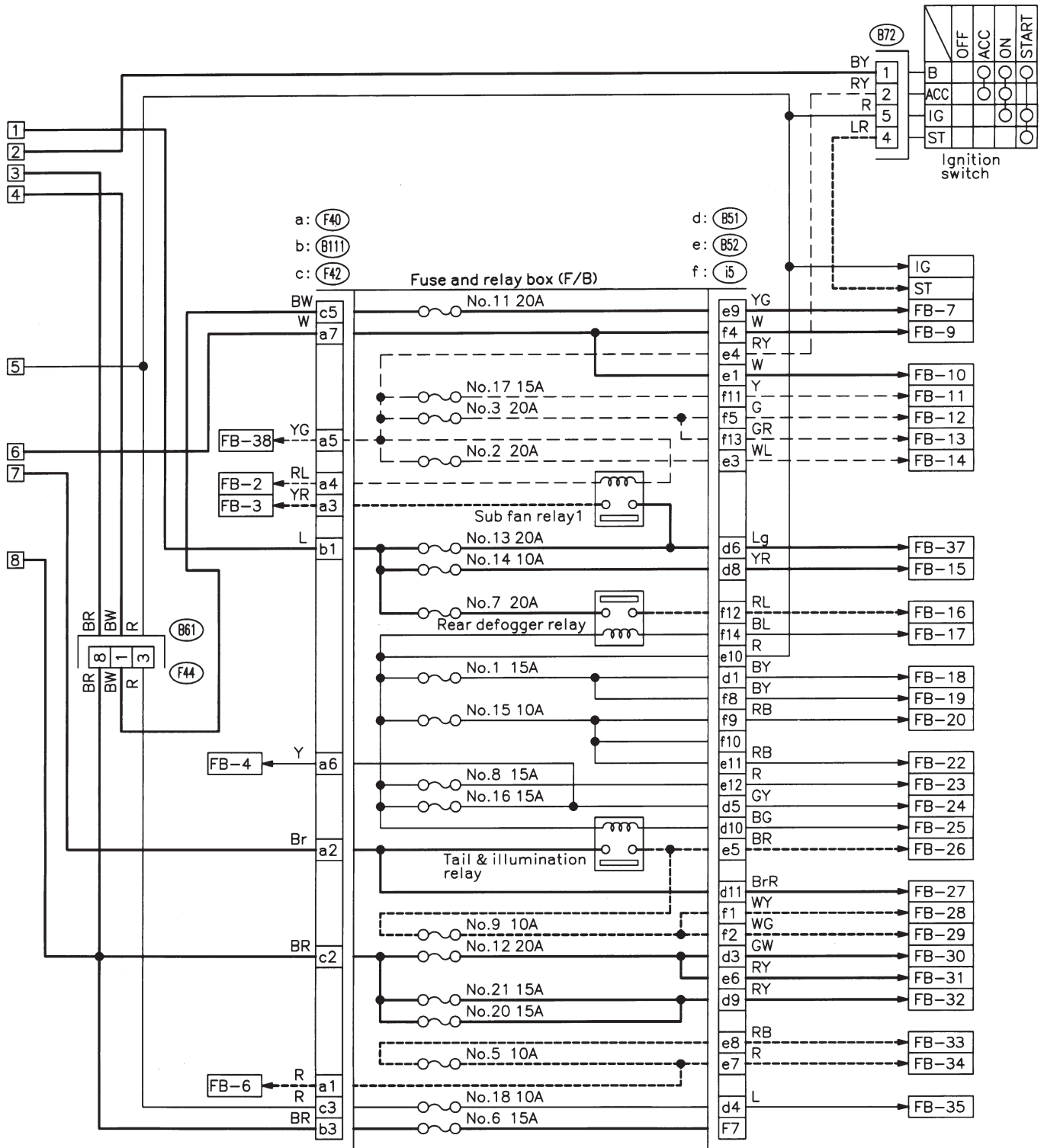
2. RHD MODEL

- Battery current
- Current from ignition switch IG terminal
- - - Current from ignition switch ACC terminal
- Other currents



WIRING DIAGRAM

[D6A2] 6-3
6. Wiring Diagram



BUR01-02B

6-3 [D6A2]**6. Wiring Diagram****WIRING DIAGRAM**

No.	Load
MB-2	Power window circuit breaker
MB-3	Engine control module Fuel pump relay Main relay OBD-II service connector
MB-4	A/C relay holder
MB-6	Headlight LH
MB-7	Diode (Lighting) Lighting switch
MB-8	Combination meter Headlight RH
MB-9	Combination meter Door lock timer Luggage room light Radio Room light
MB-10	A/C relay holder
ALT-1	Combination meter
IG	A/C relay holder
ST	Cruise control module Engine control module Inhibitor switch
FB-2	Engine control module Main fan relay 1
FB-3	Sub fan motor Sub fan relay-2
FB-4	Engine control module Fuel pump relay Ignition coil Transmission control module
FB-6	Side marker light LH Side marker light RH
FB-7	Door lock timer
FB-9	Hazard switch
FB-10	AT shift lock control module Key warning switch Power antenna
FB-11	Radio
FB-12	Cigarette lighter
FB-13	Remote control rearview mirror switch
FB-14	AT shift lock control module Combination switch Front washer motor Front wiper motor Rear washer motor Rear wiper motor Rear wiper relay
FB-15	Transmission control module
FB-16	Rear defogger Rear defogger condenser Rear defogger switch
FB-17	Rear defogger timer
FB-18	AT shift lock control module Inhibitor switch
FB-19	Hazard switch

No.	Load
FB-20	Combination meter Mode control panel Rear defogger timer
FB-22	Blower motor relay Check connector FRESH/RECIRC actuator Mode actuator Power window relay Seat belt timer
FB-23	Airbag control module
FB-24	Airbag control module
FB-25	Lighting switch
FB-26	Parking switch
FB-27	Parking switch
FB-28	Illumination light
FB-29	Illumination light
FB-30	Stop light switch Stop & brake switch
FB-31	Horn relay
FB-32	Blower motor relay
FB-33	Parking switch
FB-34	License plate light LH License plate light RH Rear combination light LH Rear combination light RH Rear finisher light LH Rear finisher light RH
FB-35	Cruise control main switch Cruise control module
FB-38	Main fan relay 1

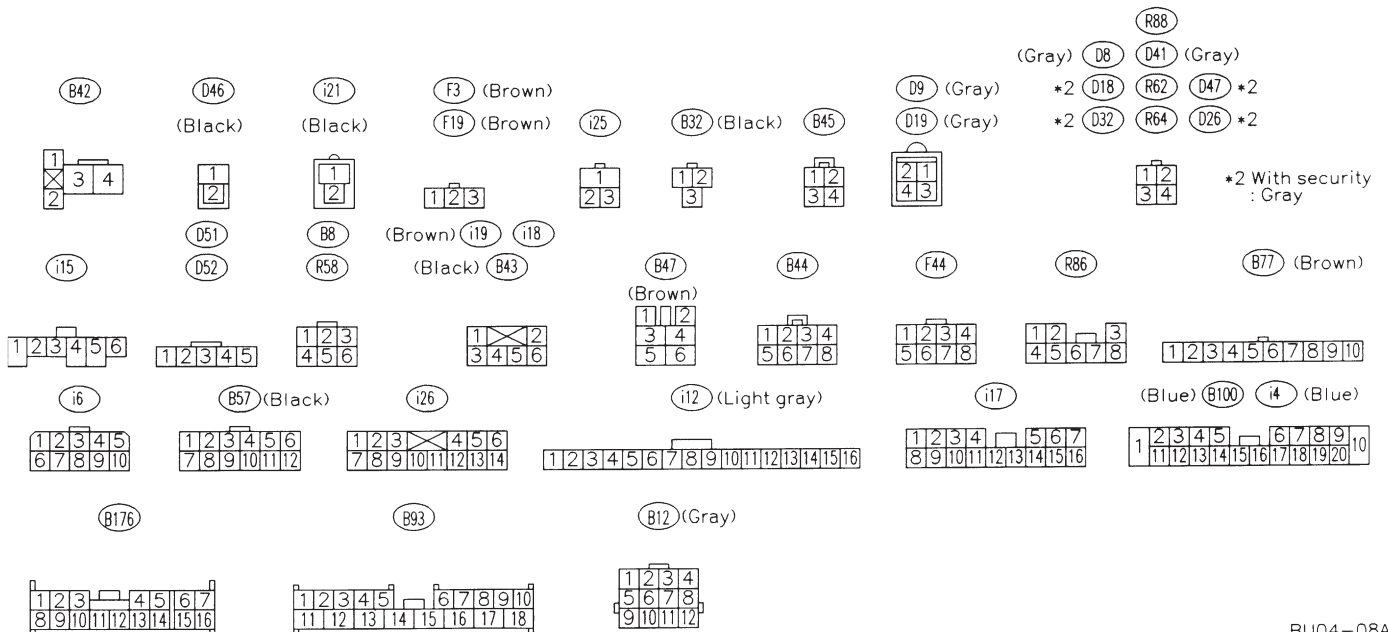
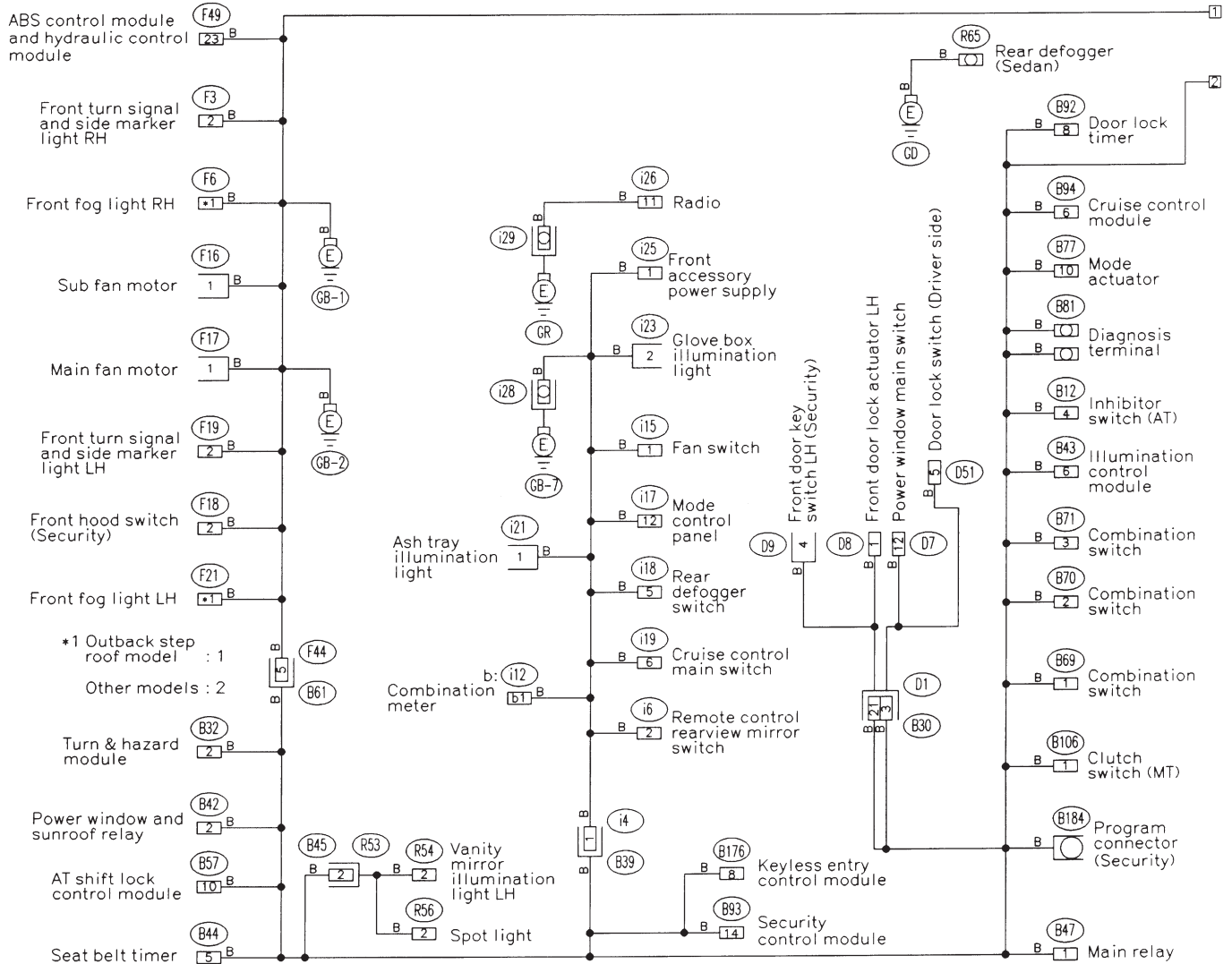
WIRING DIAGRAM

[D6A2] 6-3
6. Wiring Diagram

MEMO:

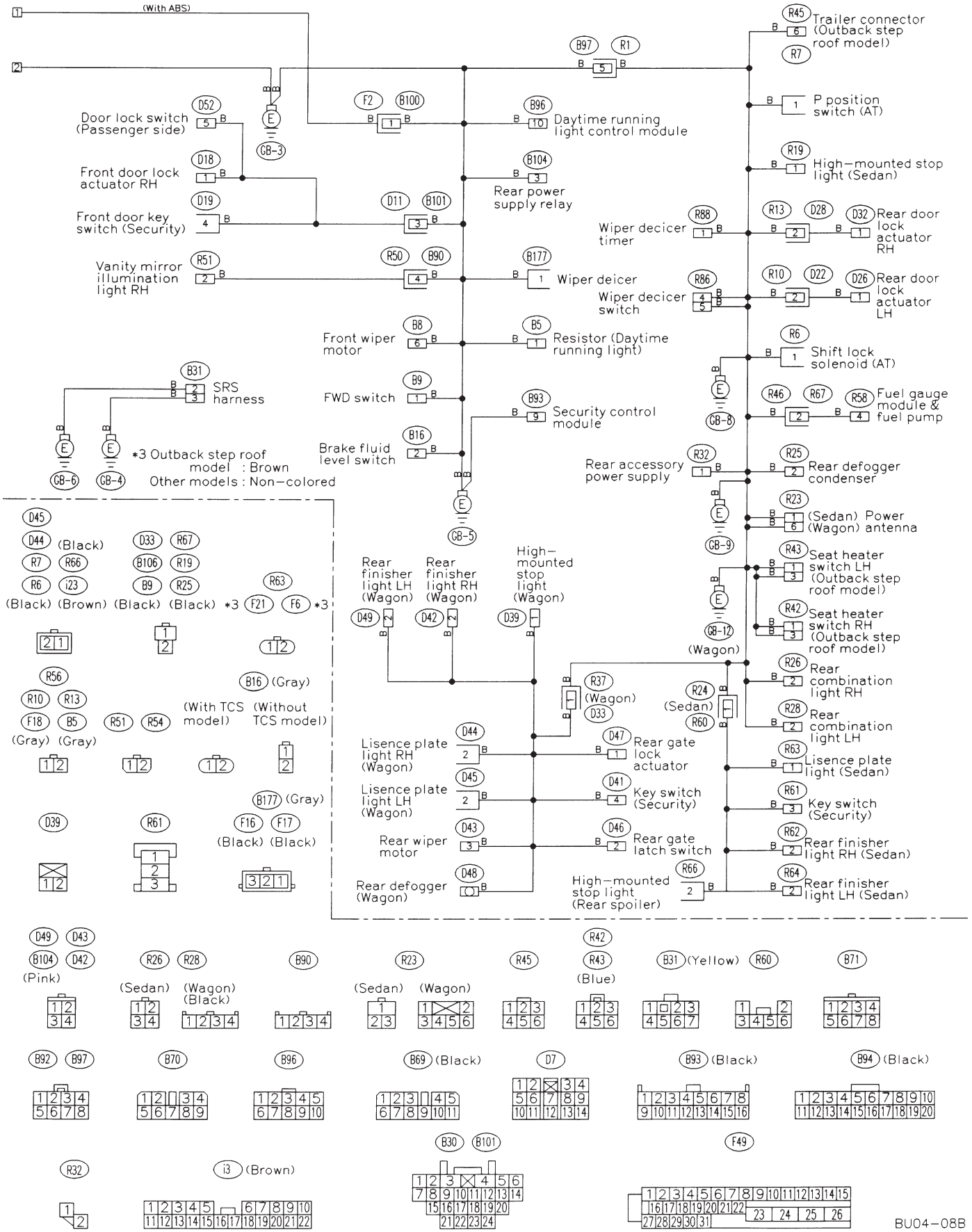
B: GROUND DISTRIBUTION

1. LHD MODEL



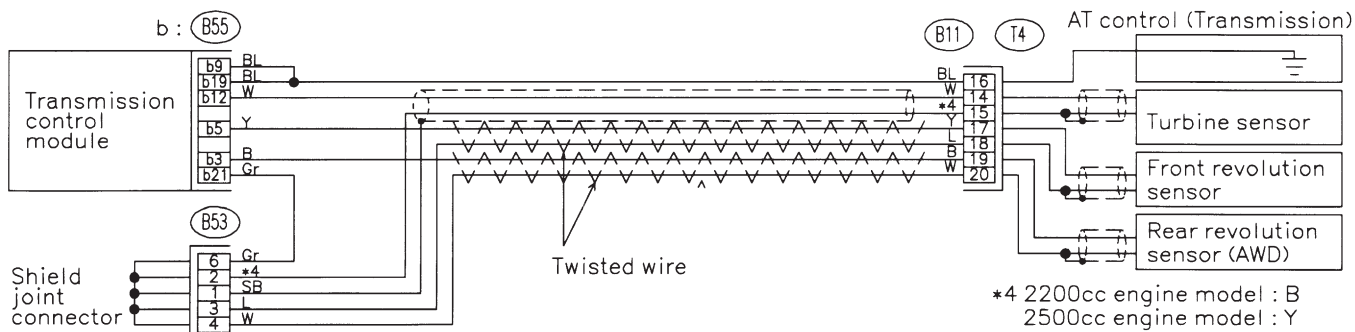
WIRING DIAGRAM

[D6B1] 6-3
6. Wiring Diagram

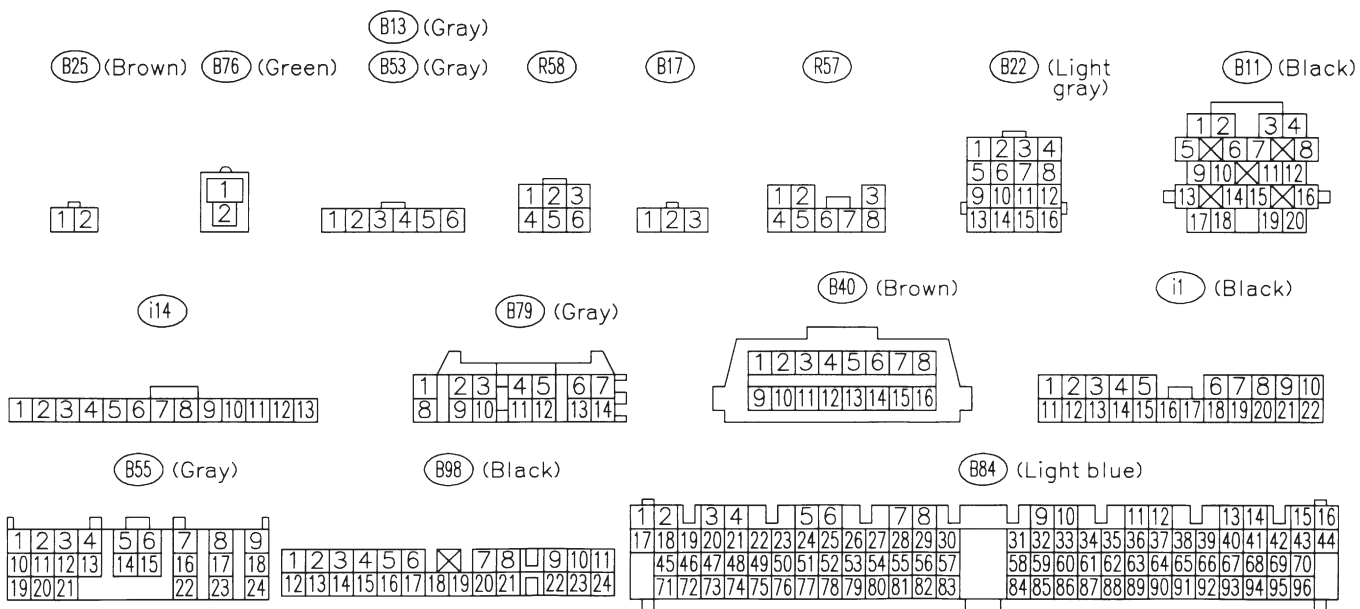
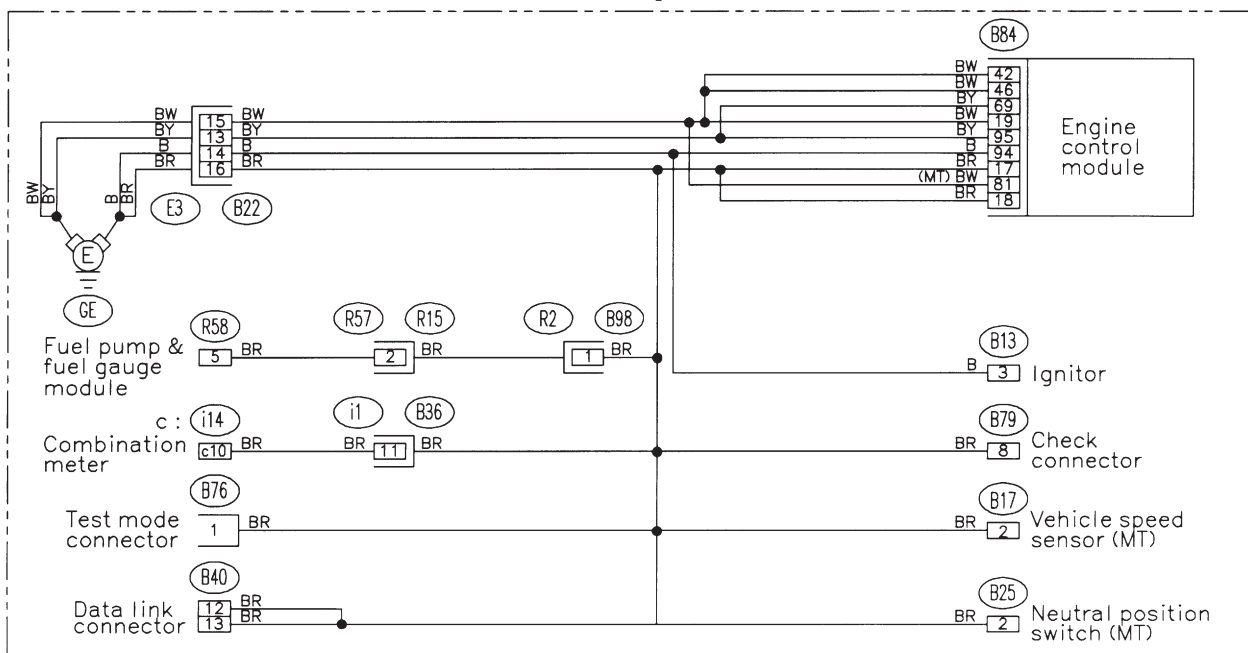


6-3 [D6B1]
6. Wiring Diagram

WIRING DIAGRAM



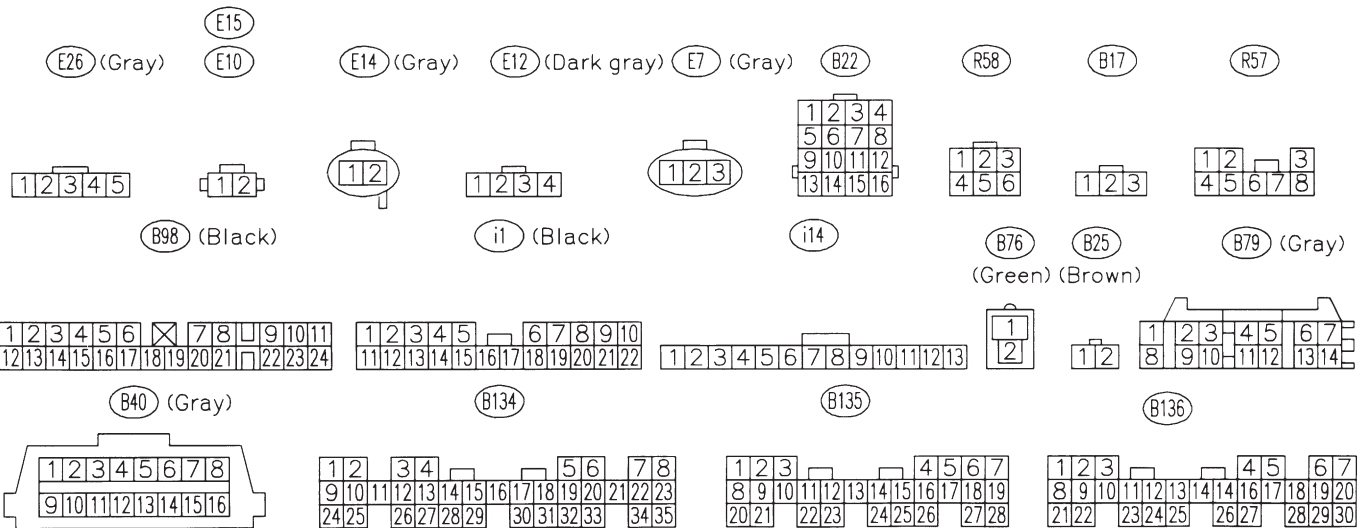
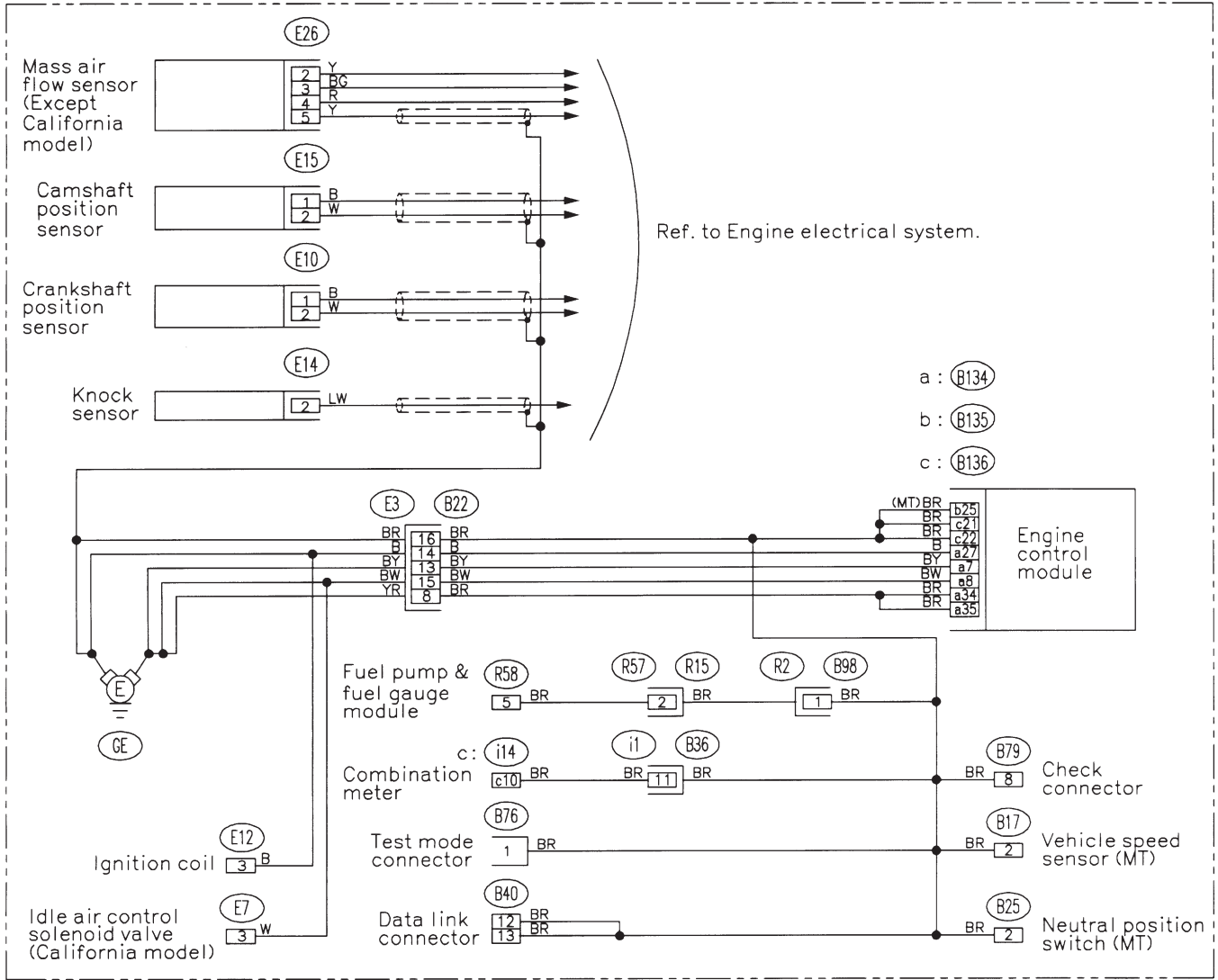
(2500 cc engine model)



WIRING DIAGRAM

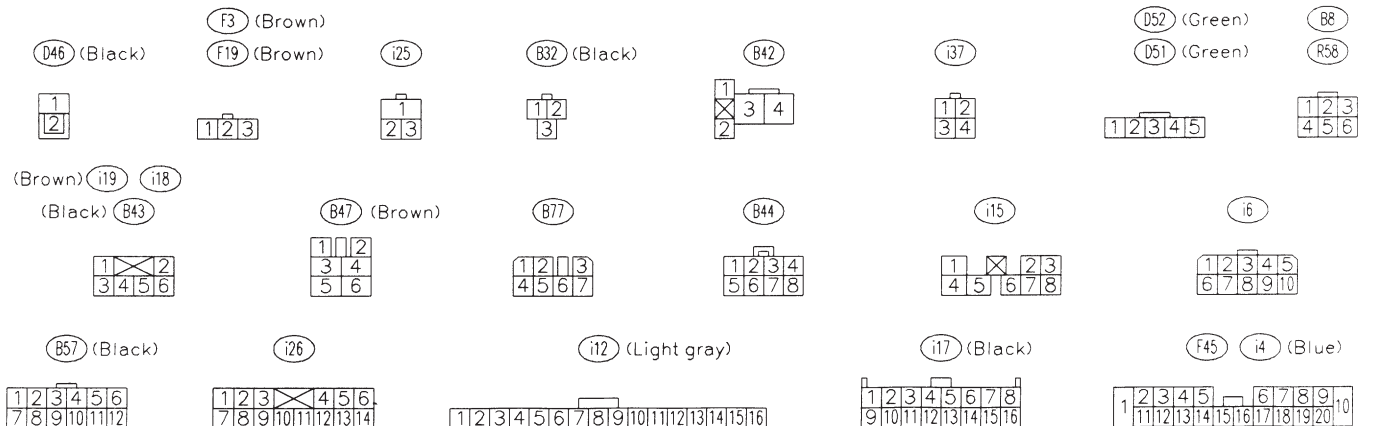
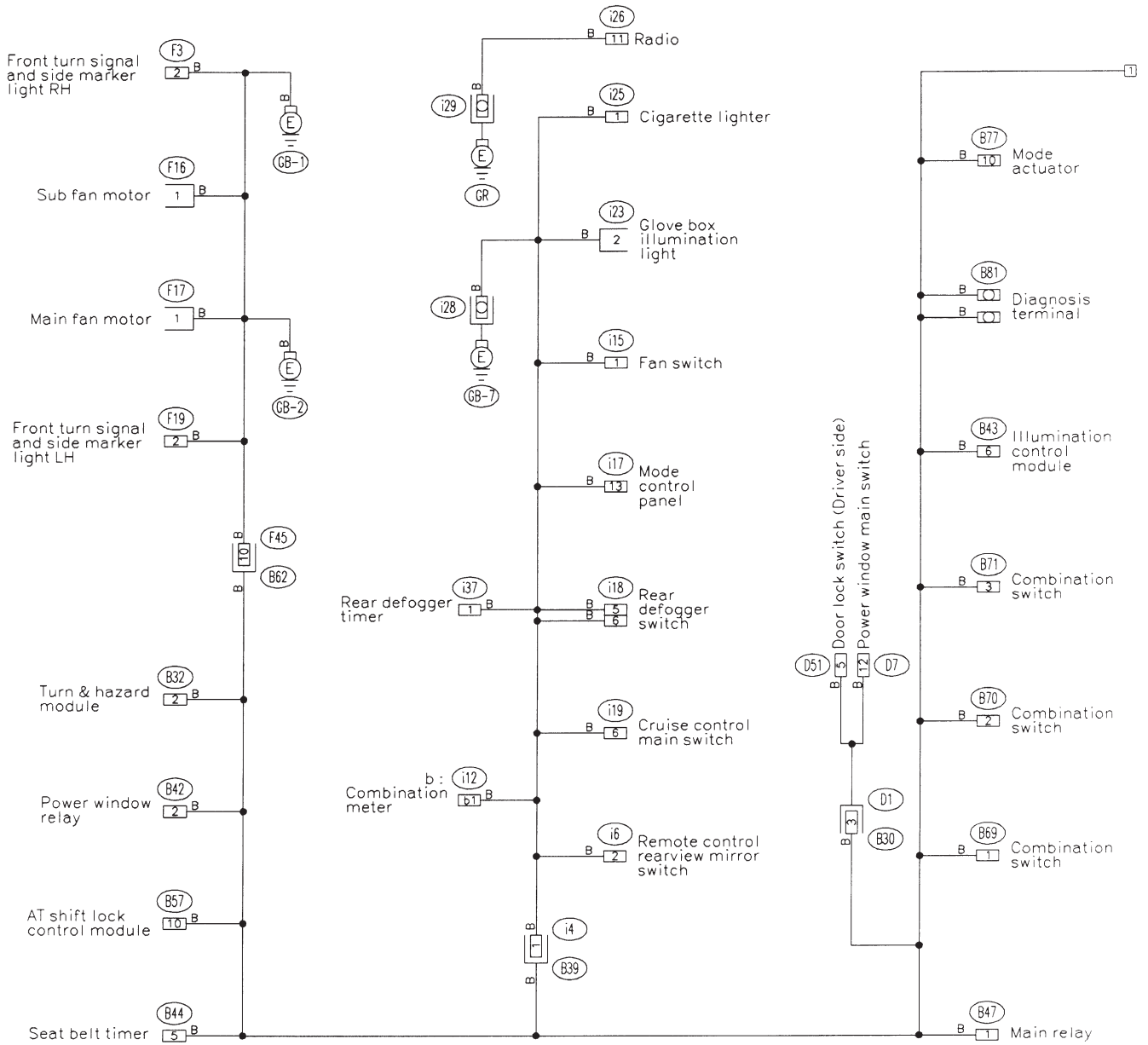
[D6B1] 6-3
6. Wiring Diagram

(2200 cc engine model)



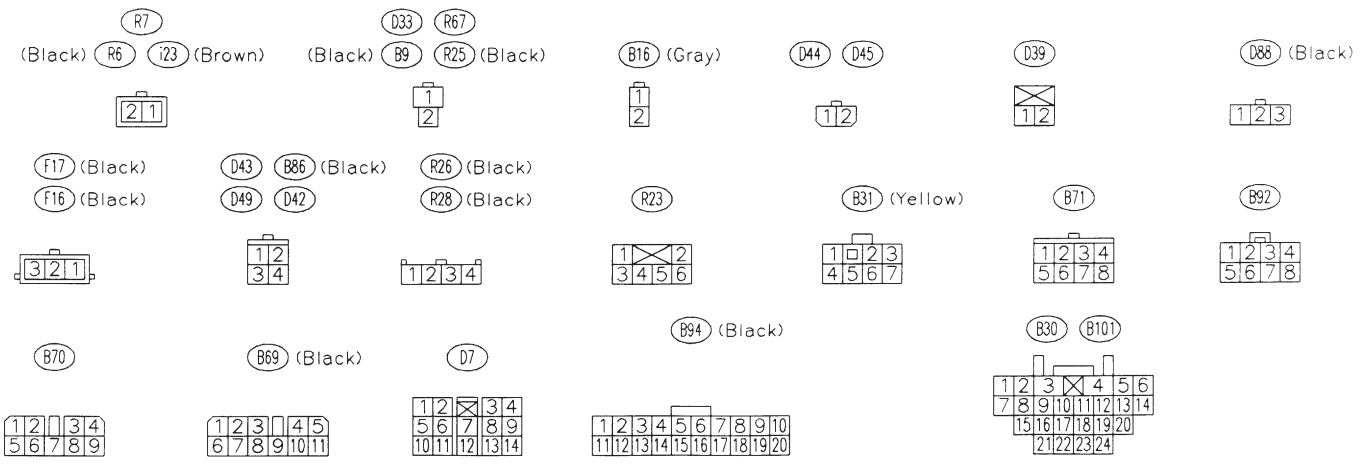
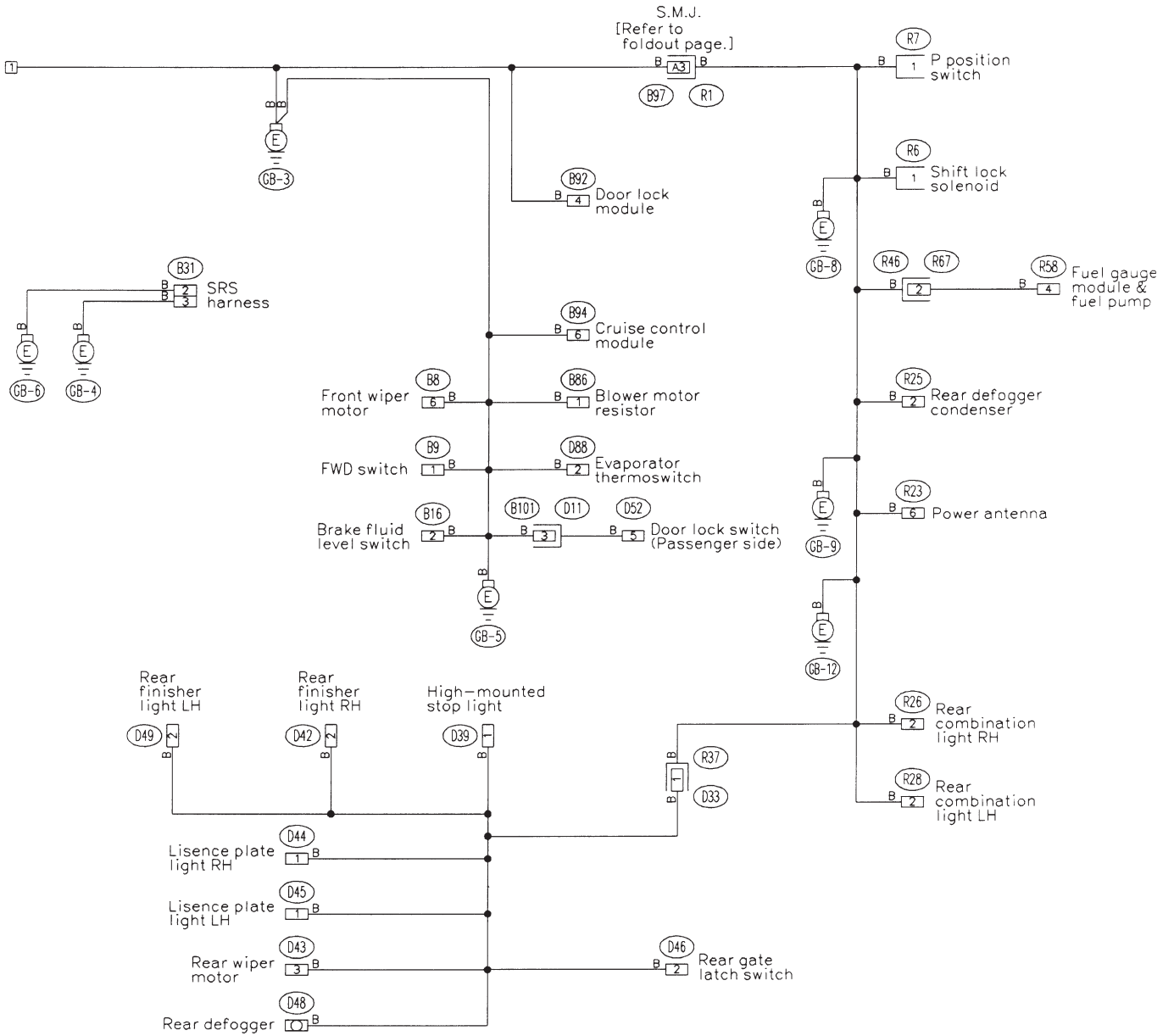
BU04-08D

2. RHD MODEL



WIRING DIAGRAM

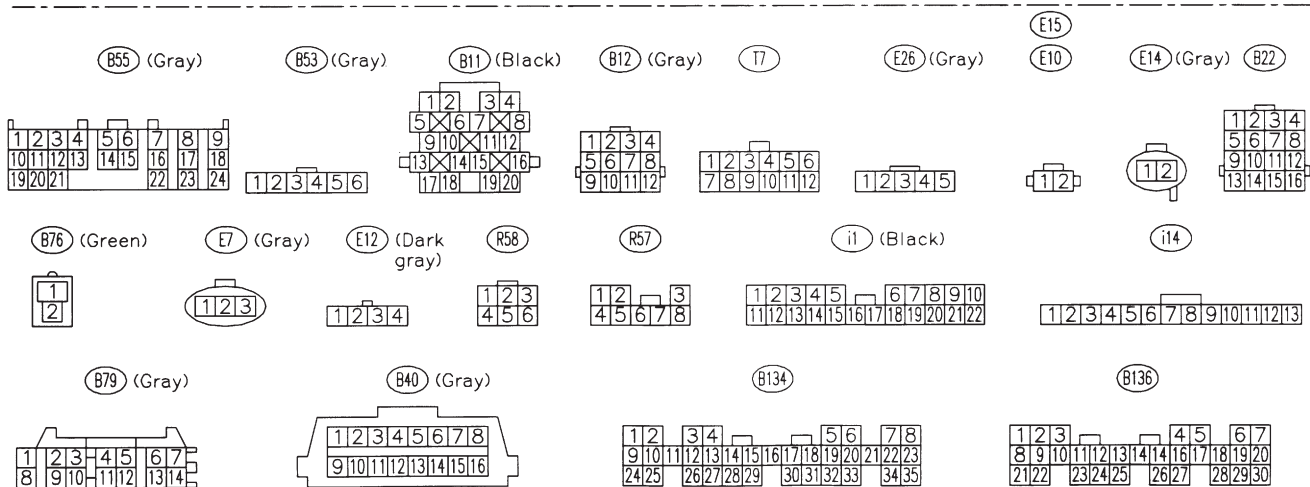
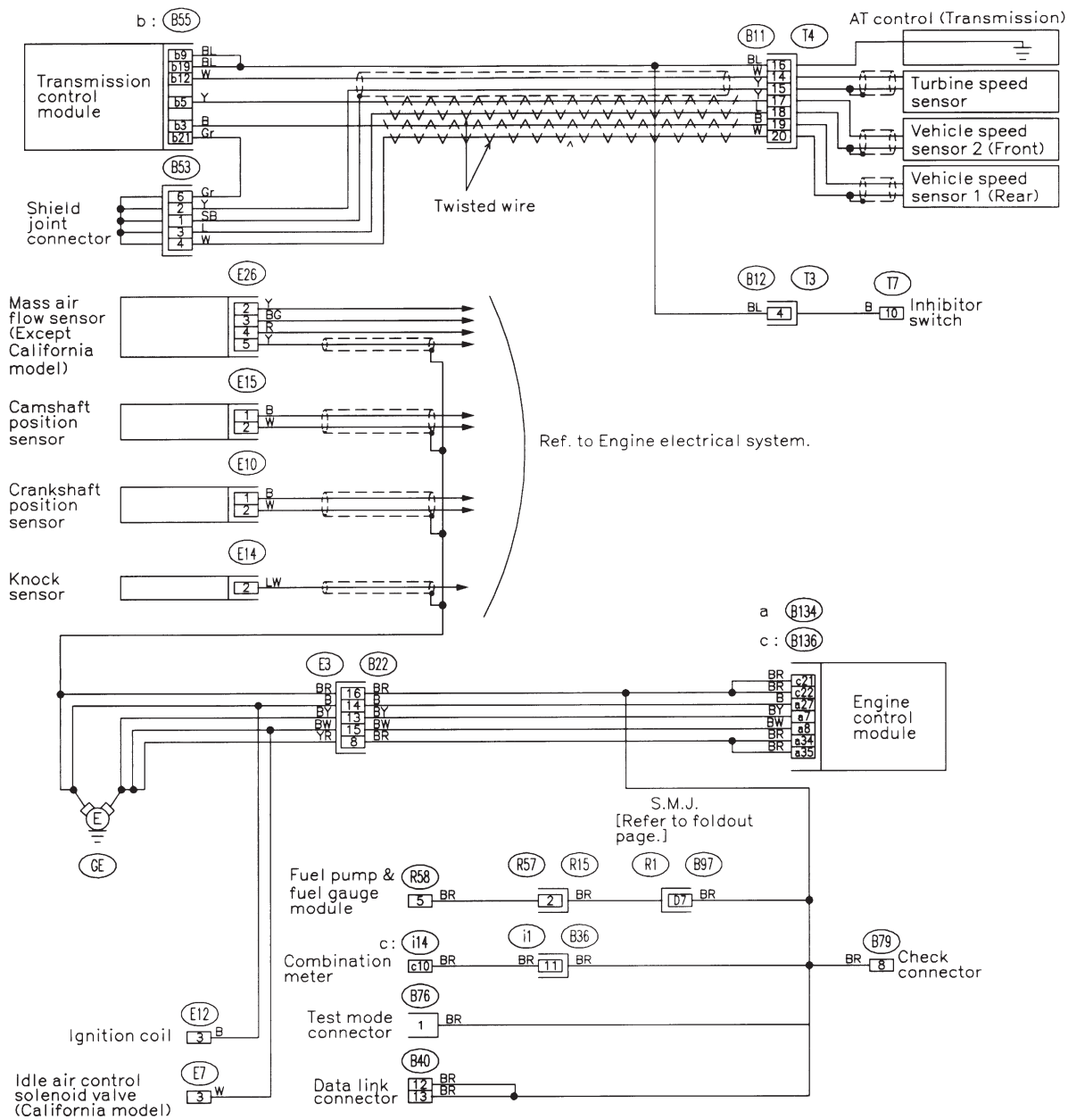
[D6B2] 6-3
6. Wiring Diagram



BP04-06B

6-3 [D6B2]
6. Wiring Diagram

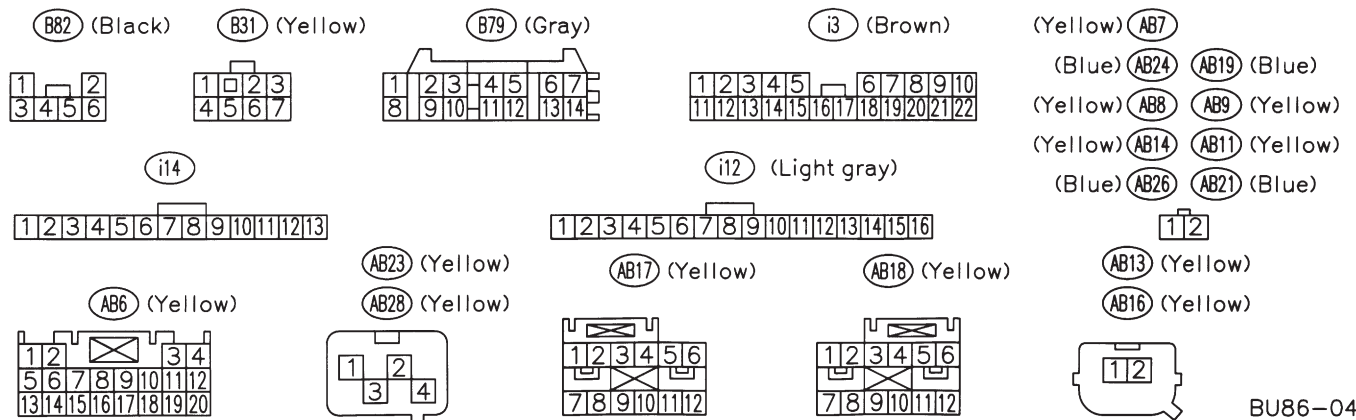
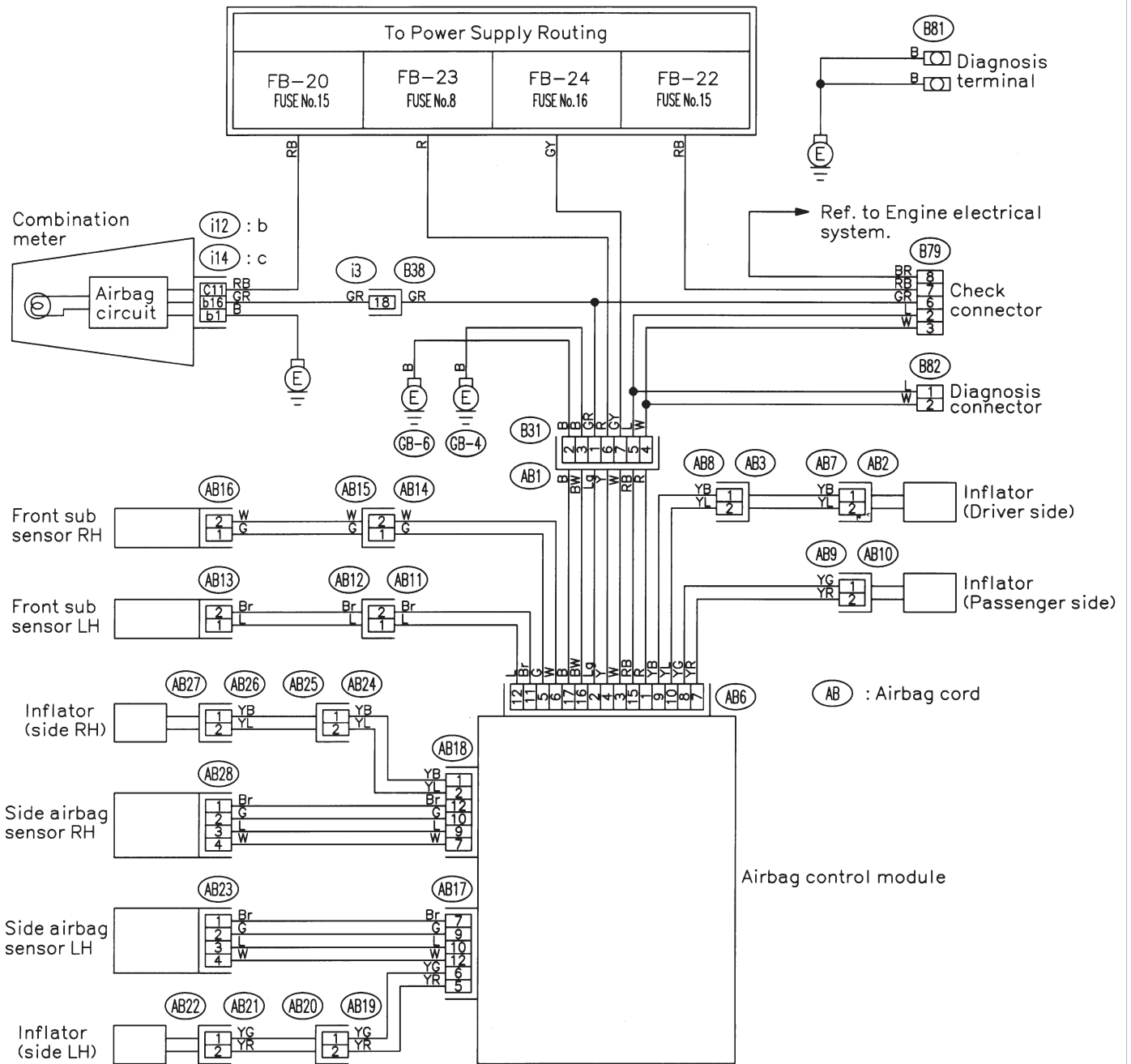
WIRING DIAGRAM



WIRING DIAGRAM

[D6C0] 6-3
6. Wiring Diagram

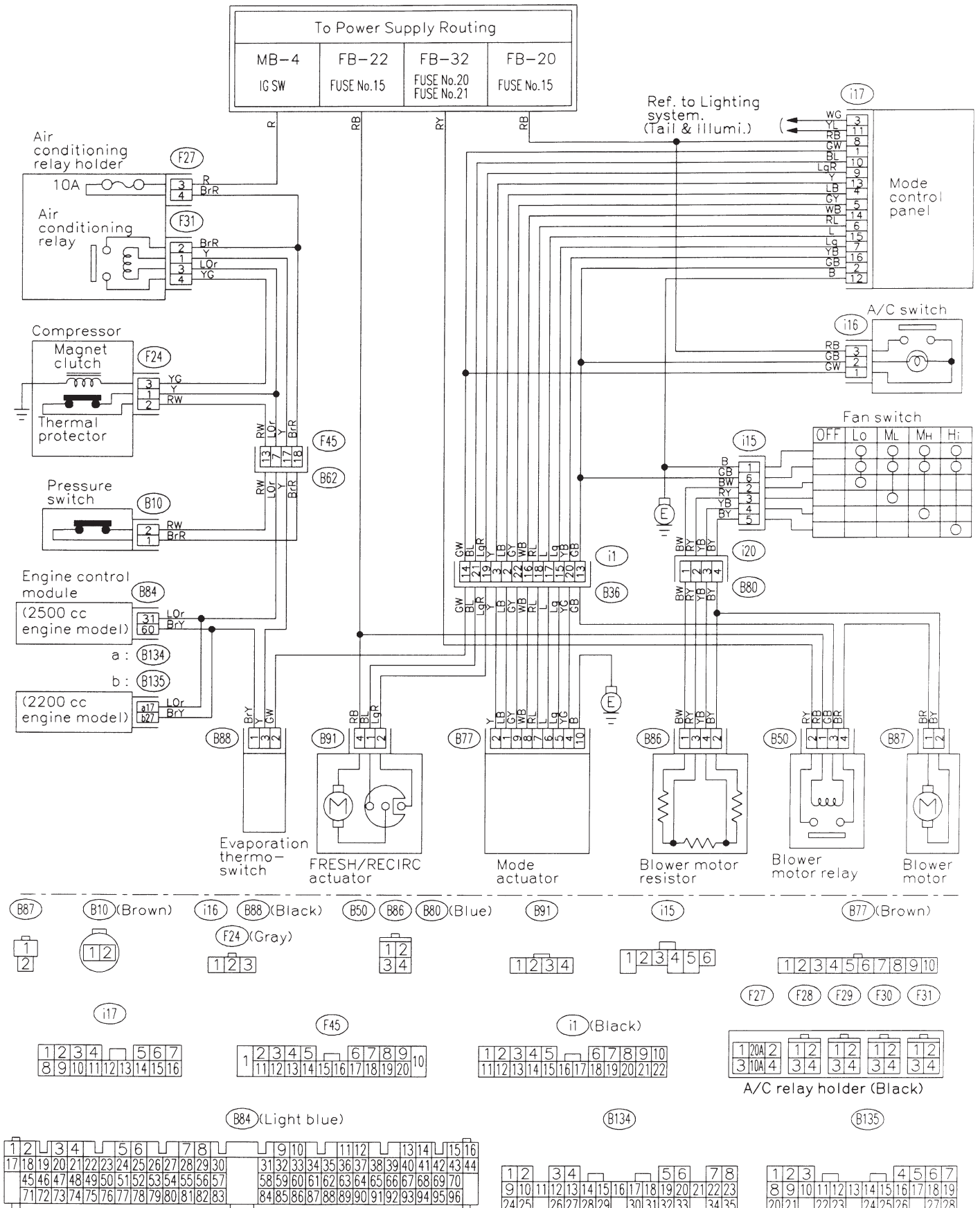
C: AIRBAG SYSTEM



BU86-04

D: AIR CONDITIONING SYSTEM

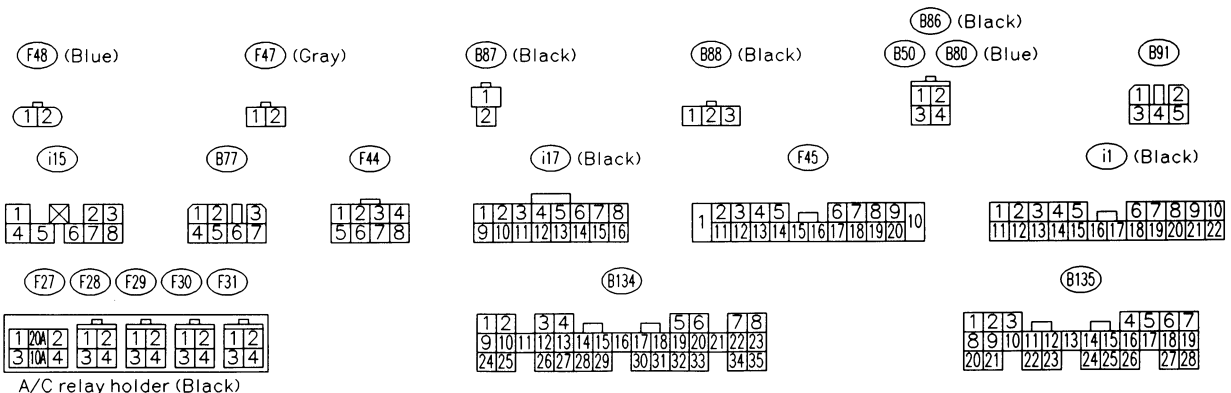
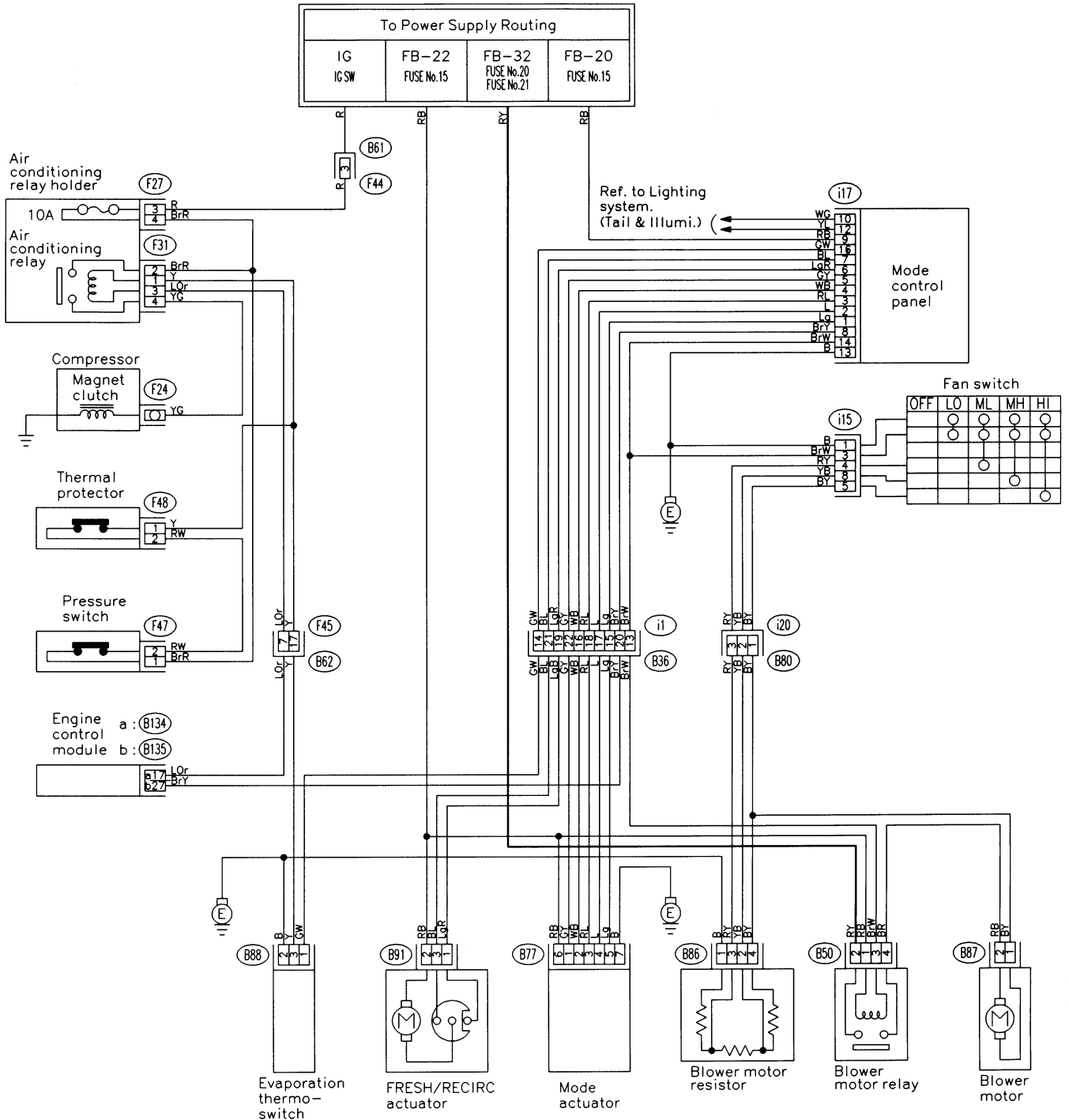
1. LHD MODEL



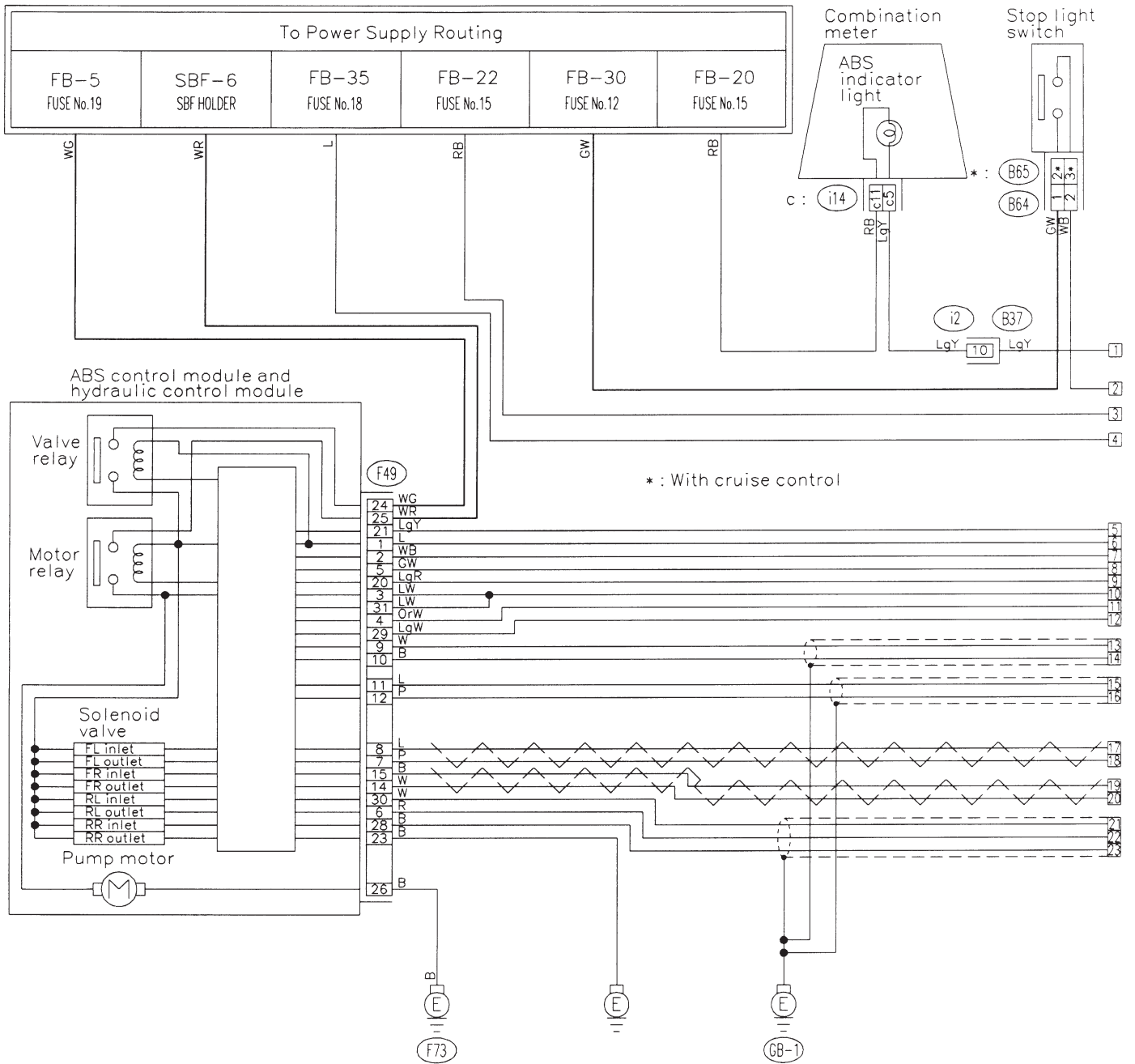
WIRING DIAGRAM

[D6D2] 6-3
6. Wiring Diagram

2. RHD MODEL



E: ANTI-LOCK BRAKE SYSTEM



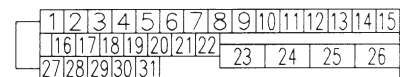
(B64) (Black)



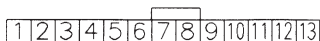
(B65) (Black)



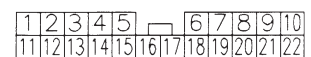
(F49)



(i14)

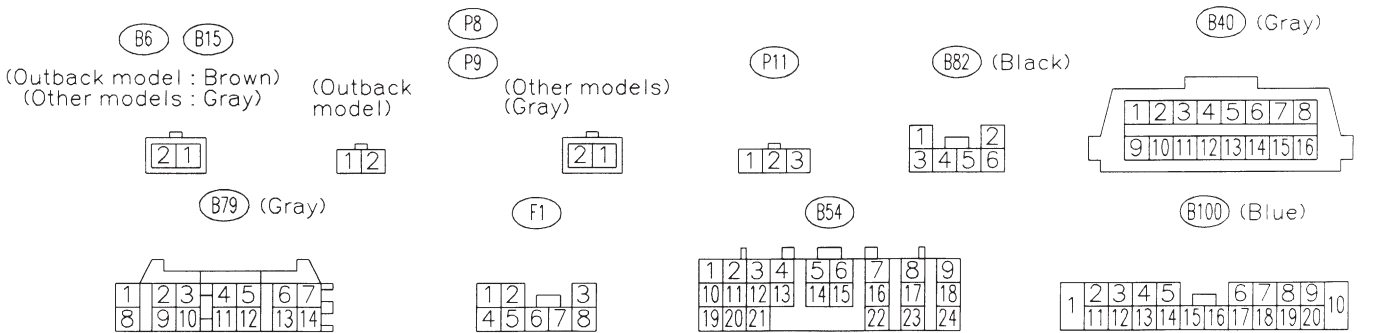
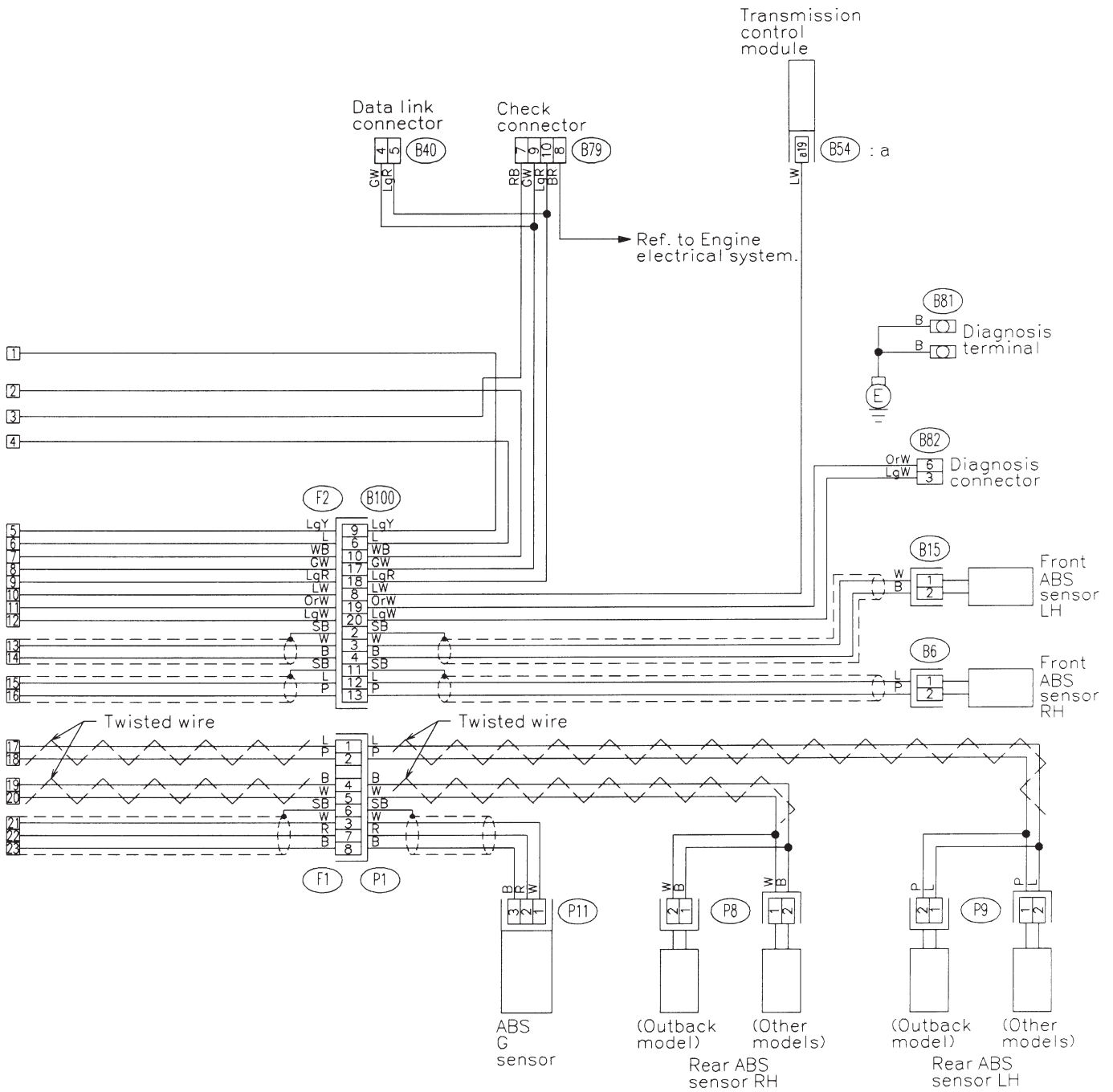


(i2)



WIRING DIAGRAM

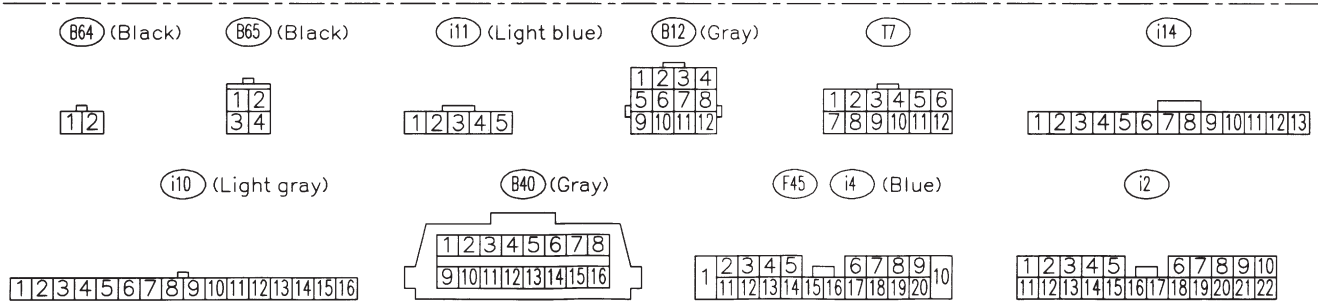
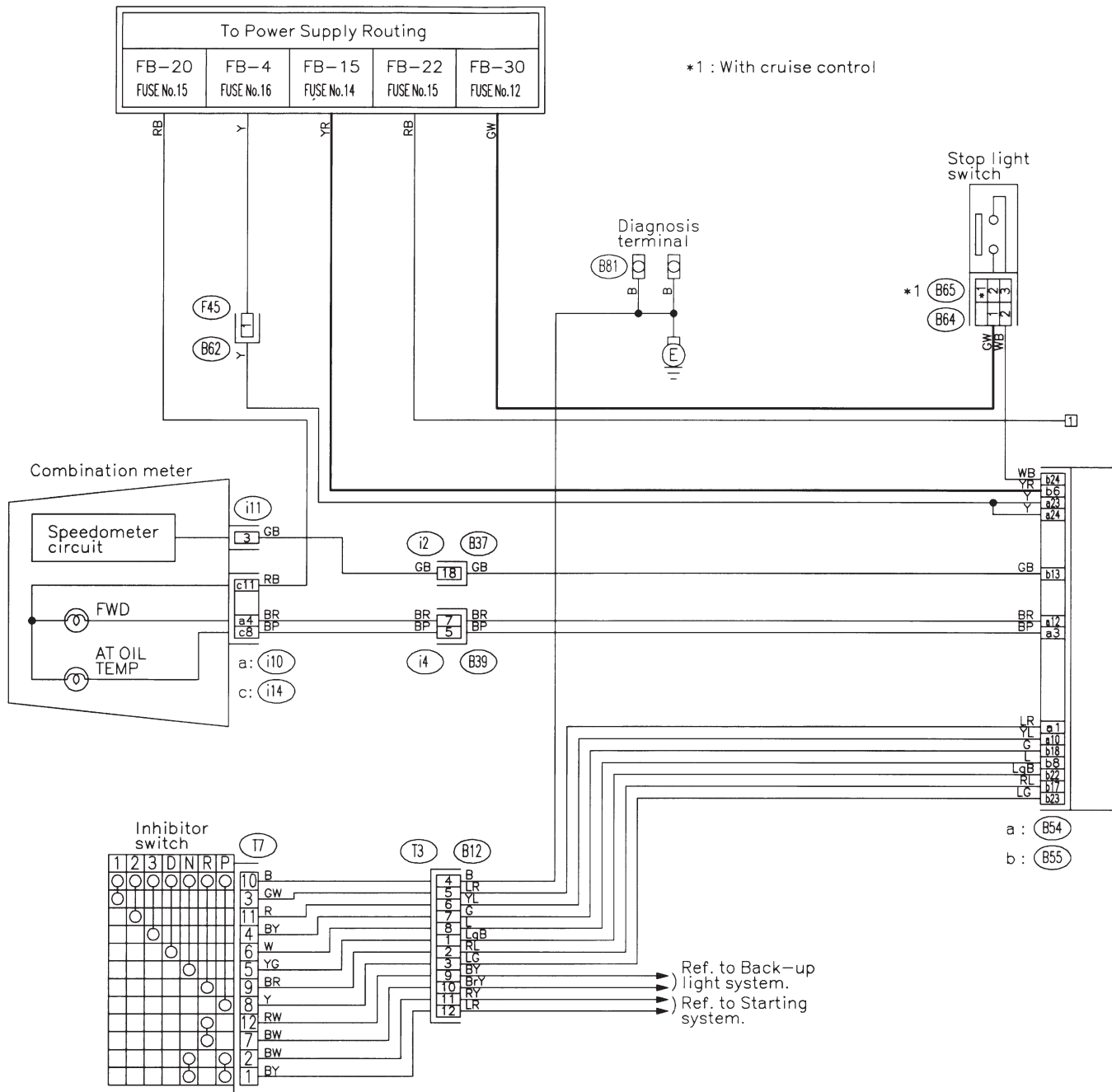
[D6E0] 6-3
6. Wiring Diagram



BU82-06B

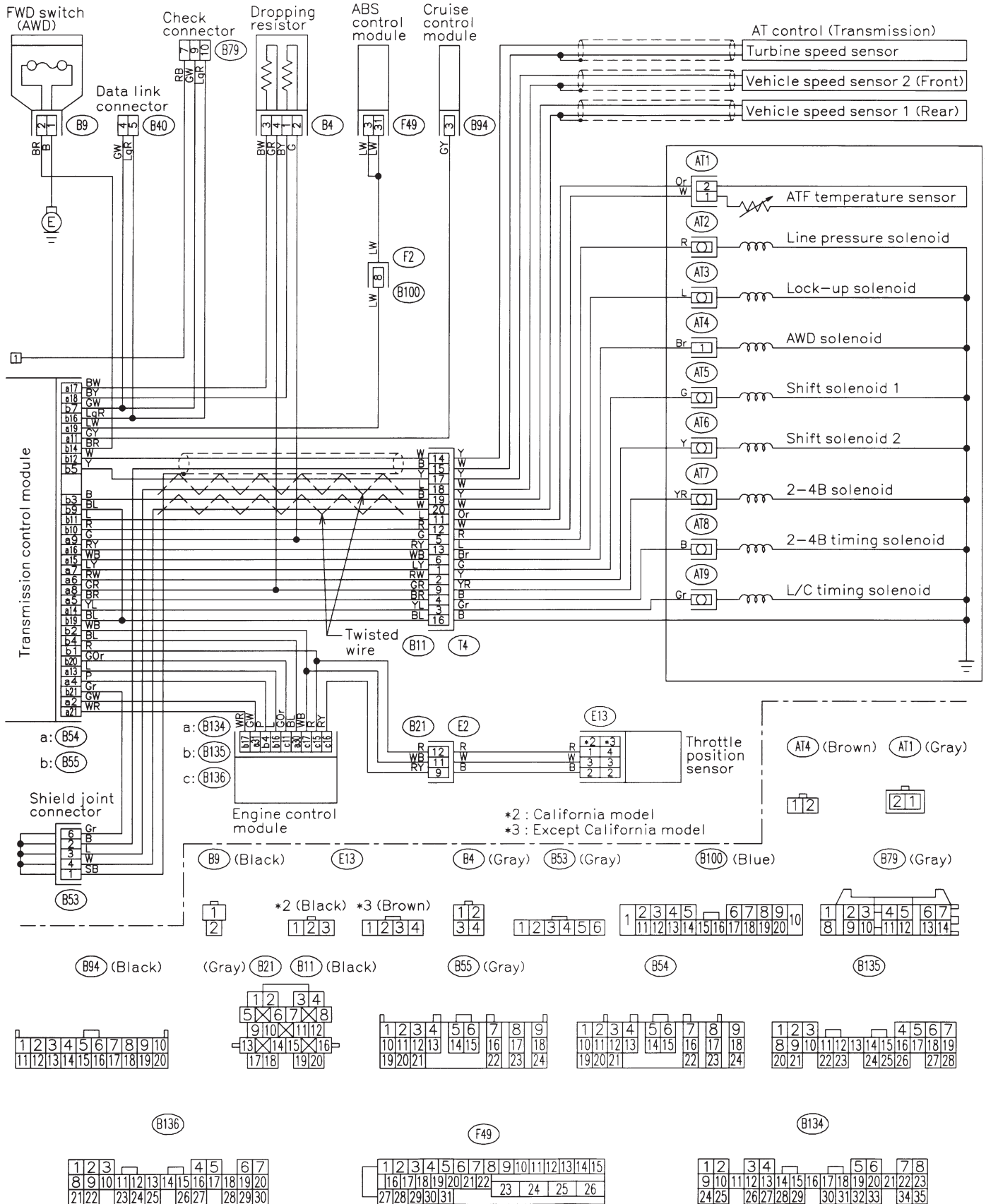
F: A/T CONTROL SYSTEM

1. LHD 2200 cc ENGINE MODEL



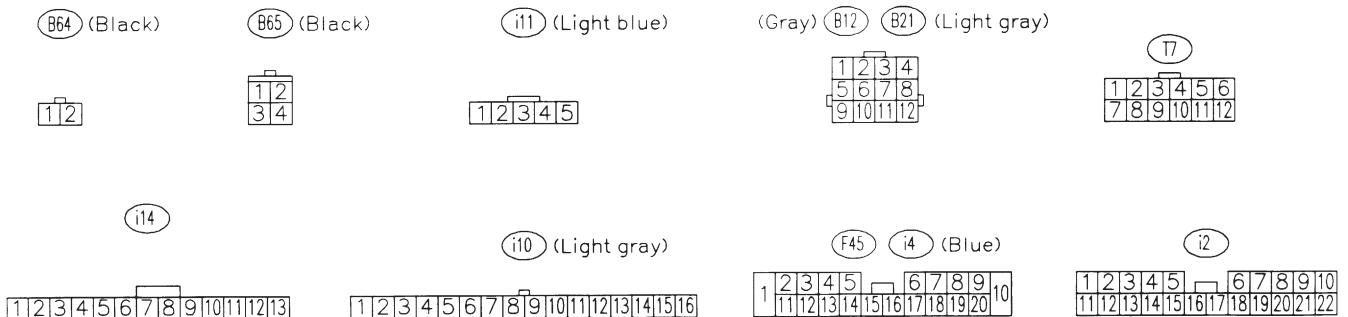
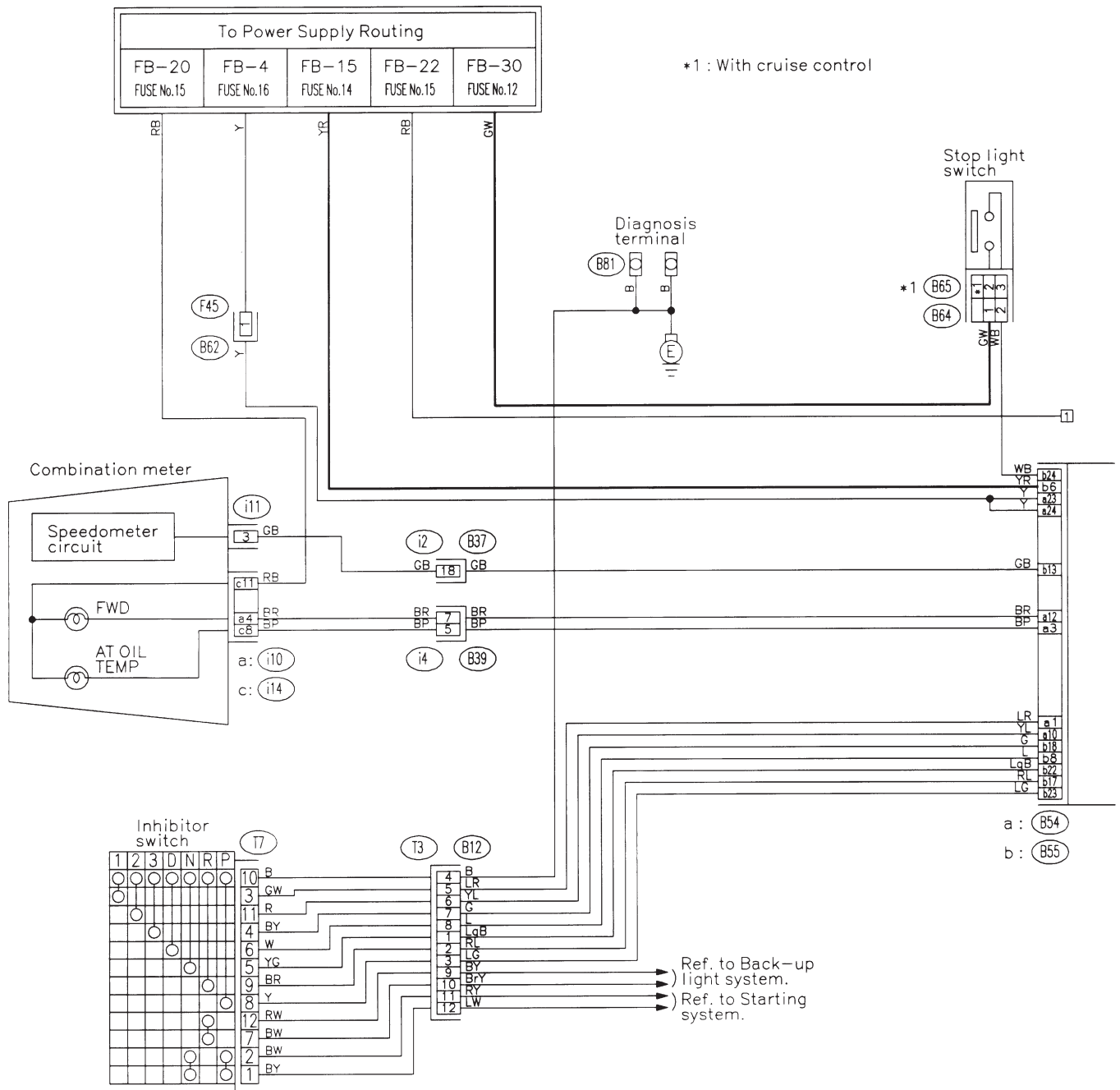
WIRING DIAGRAM

[D6F1] 6-3
6. Wiring Diagram



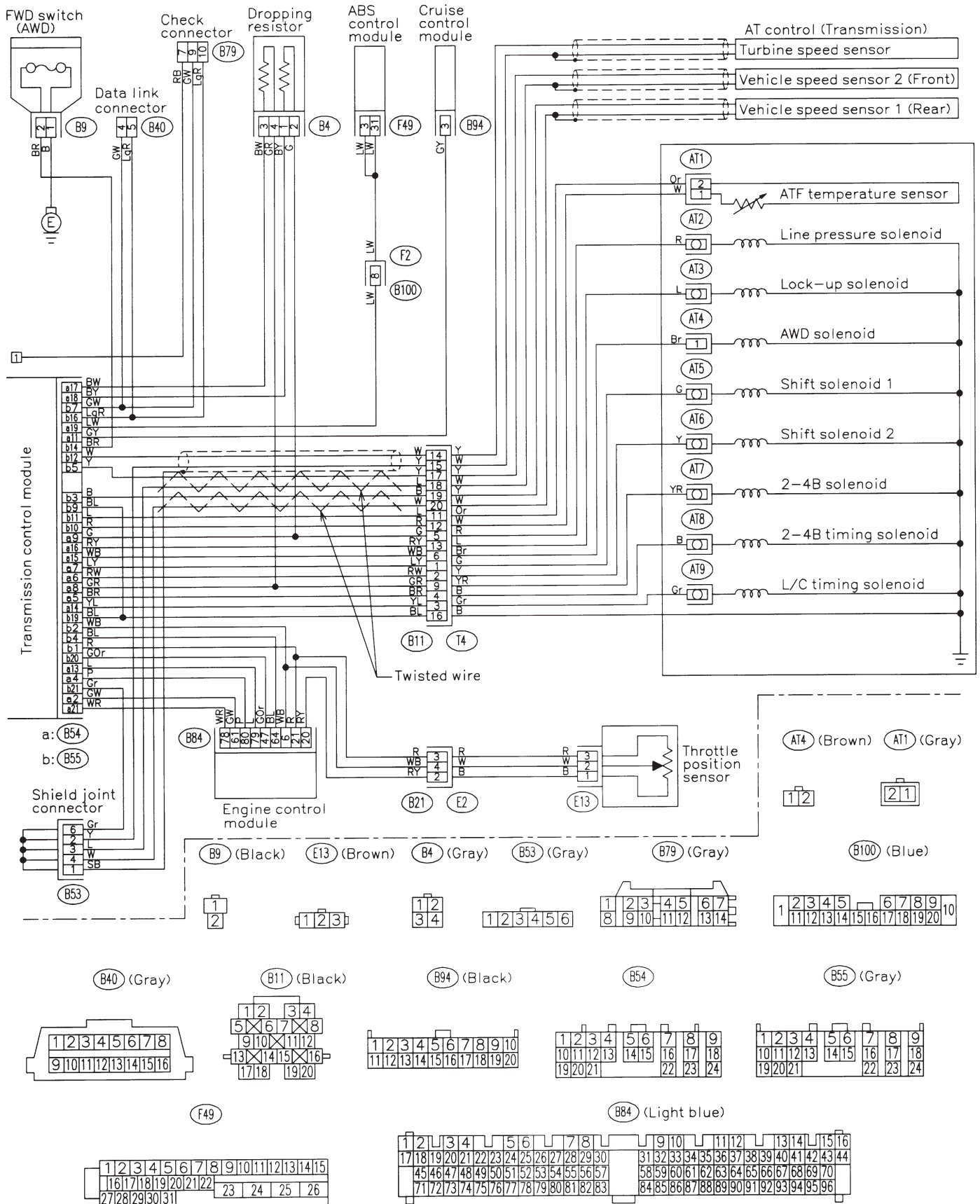
BU41-07B

2. LHD 2500 cc ENGINE MODEL



WIRING DIAGRAM

[D6F2] 6-3
6. Wiring Diagram

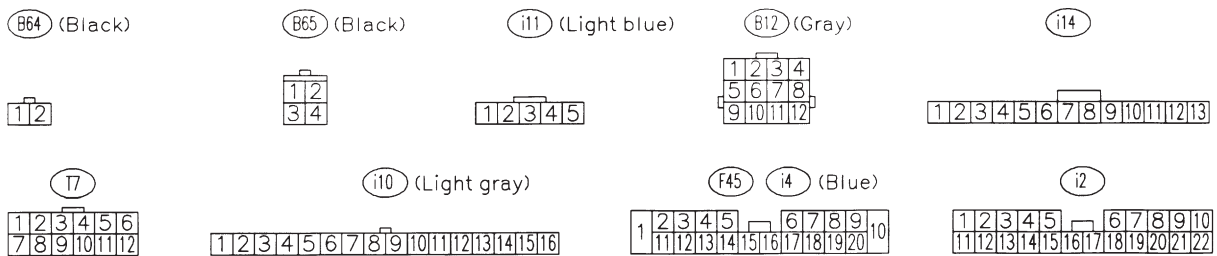
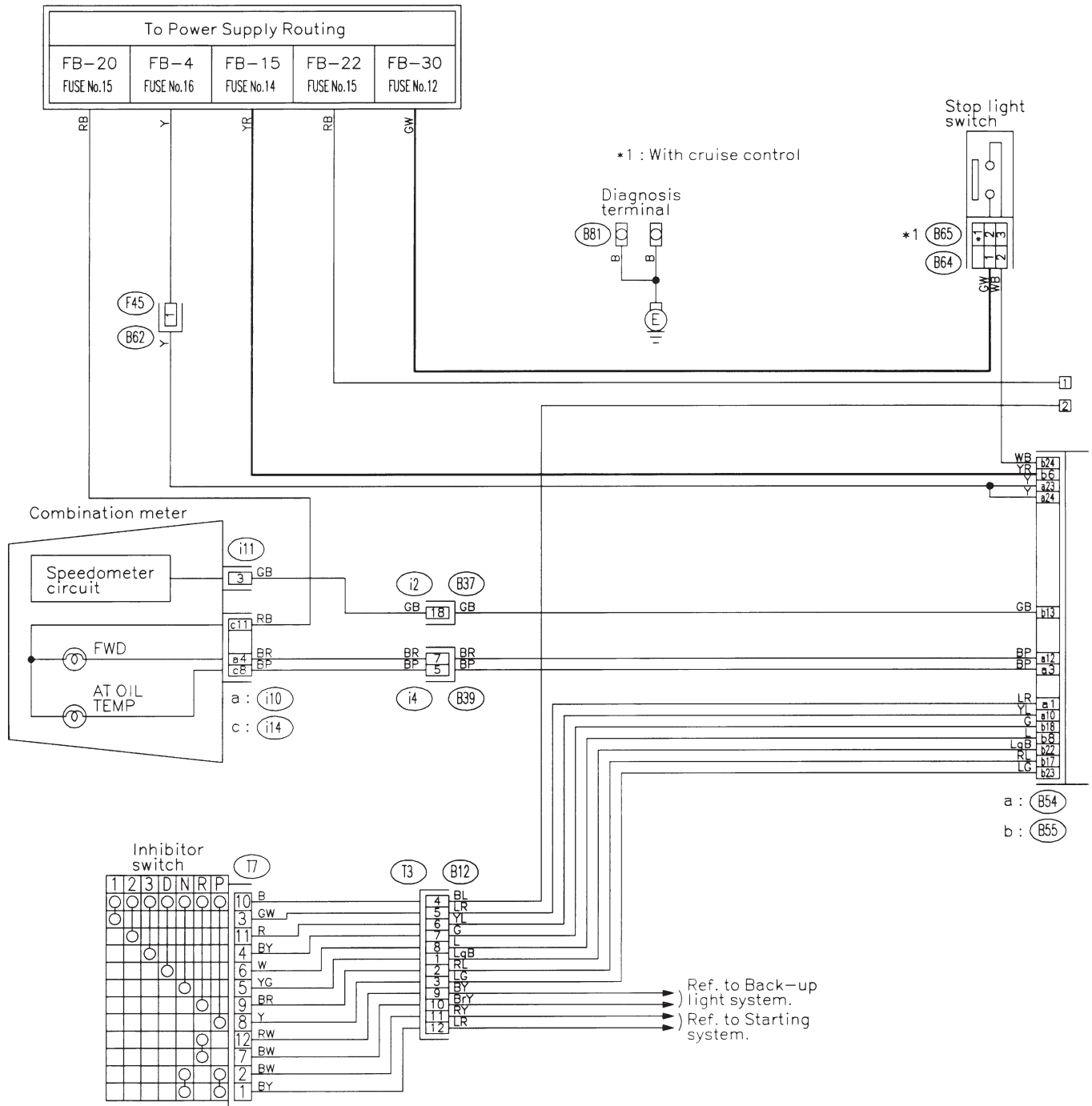


BU41-06B

6-3 [D6F3]
6. Wiring Diagram

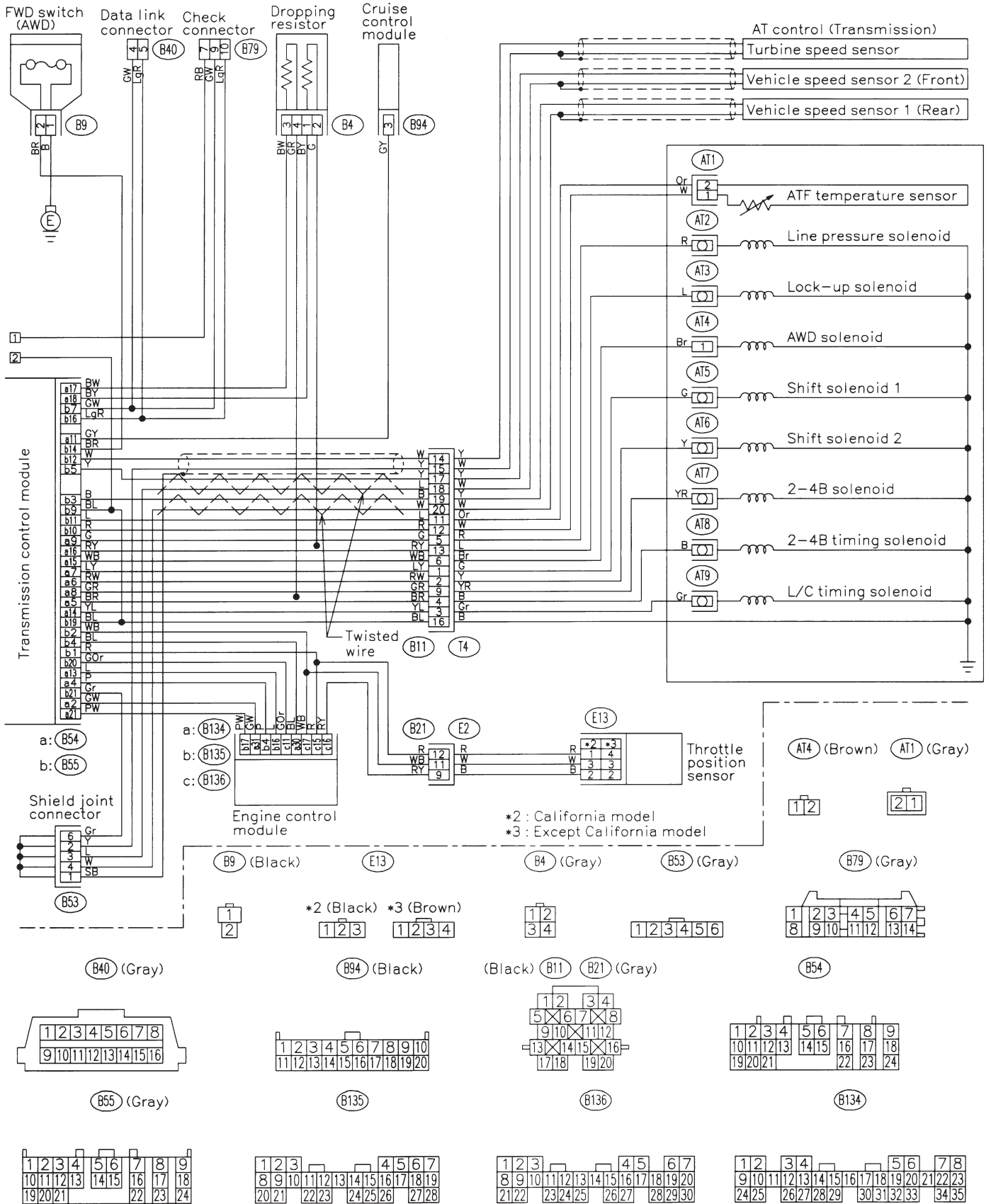
WIRING DIAGRAM

3. RHD MODEL



WIRING DIAGRAM

[D6F3] 6-3
6. Wiring Diagram

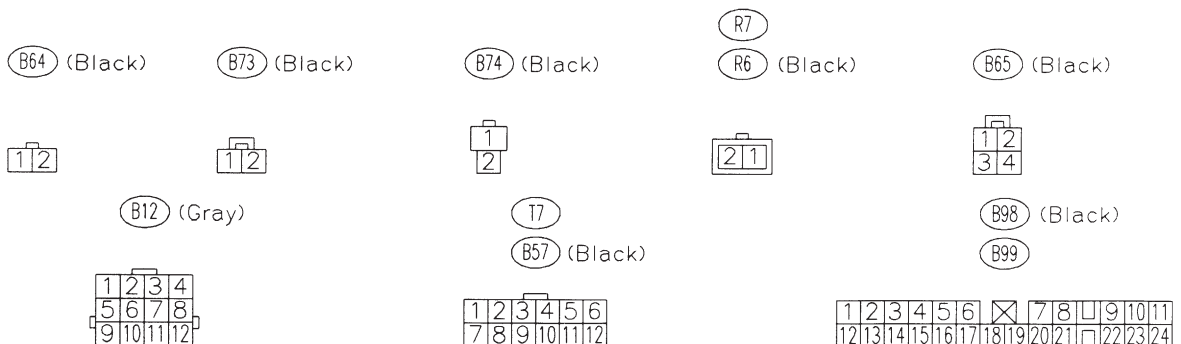
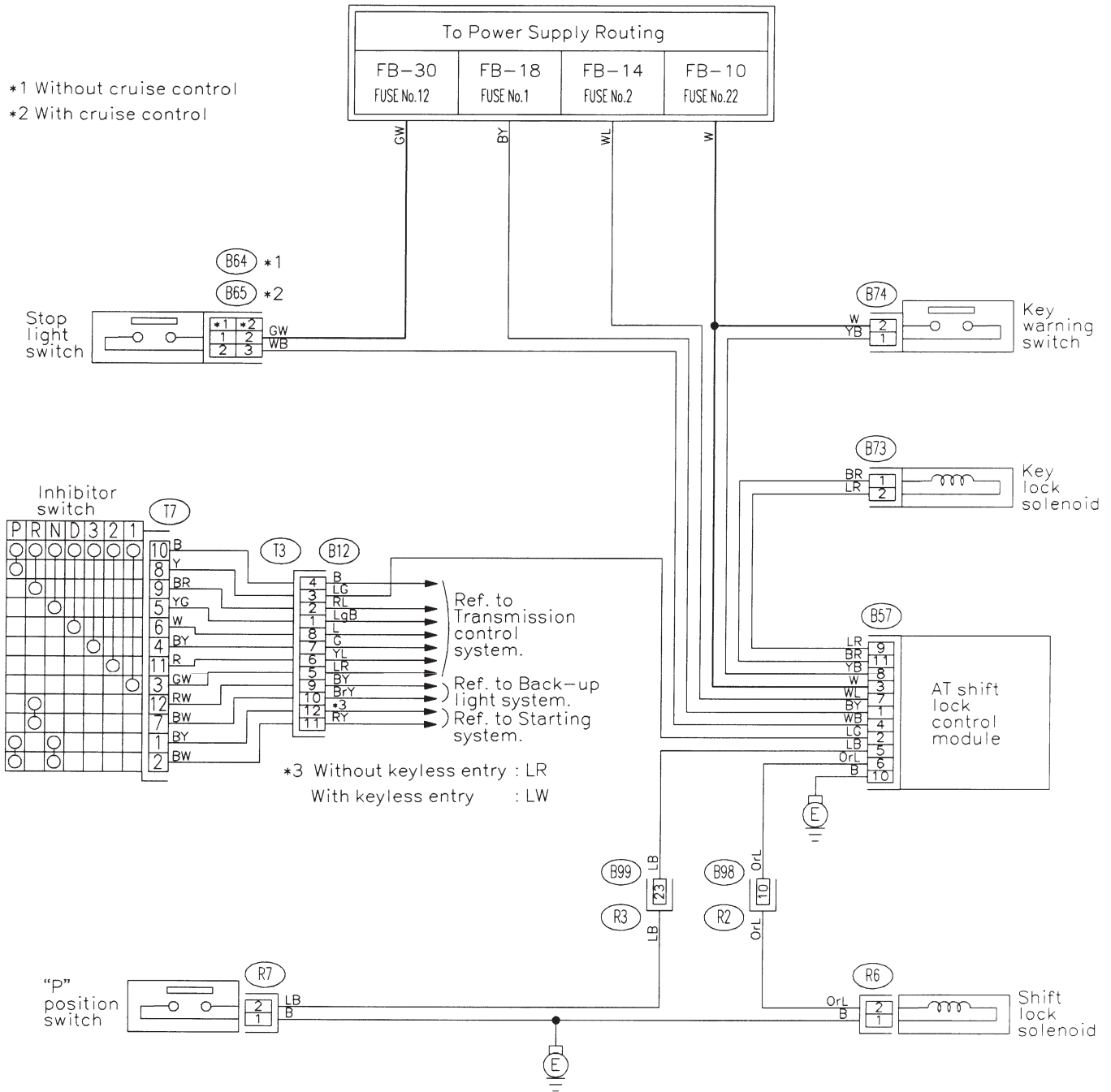


BP41-04B

G: A/T SHIFT LOCK SYSTEM

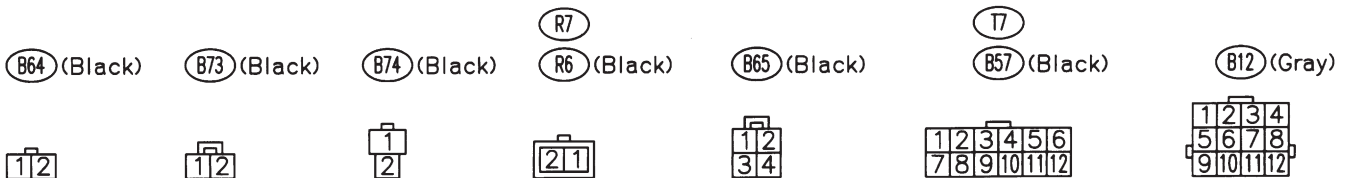
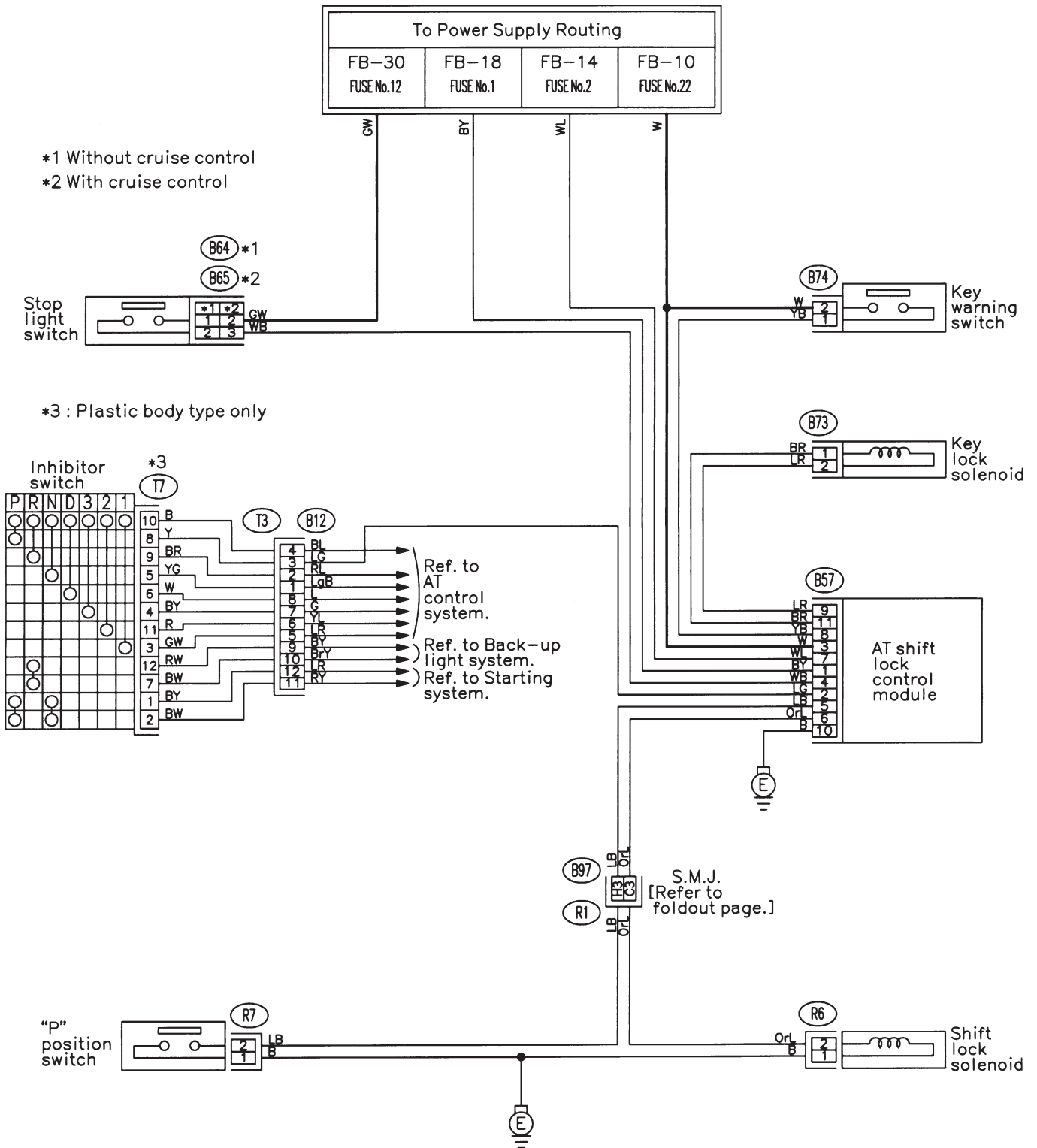
1. LHD MODEL

- *1 Without cruise control
- *2 With cruise control



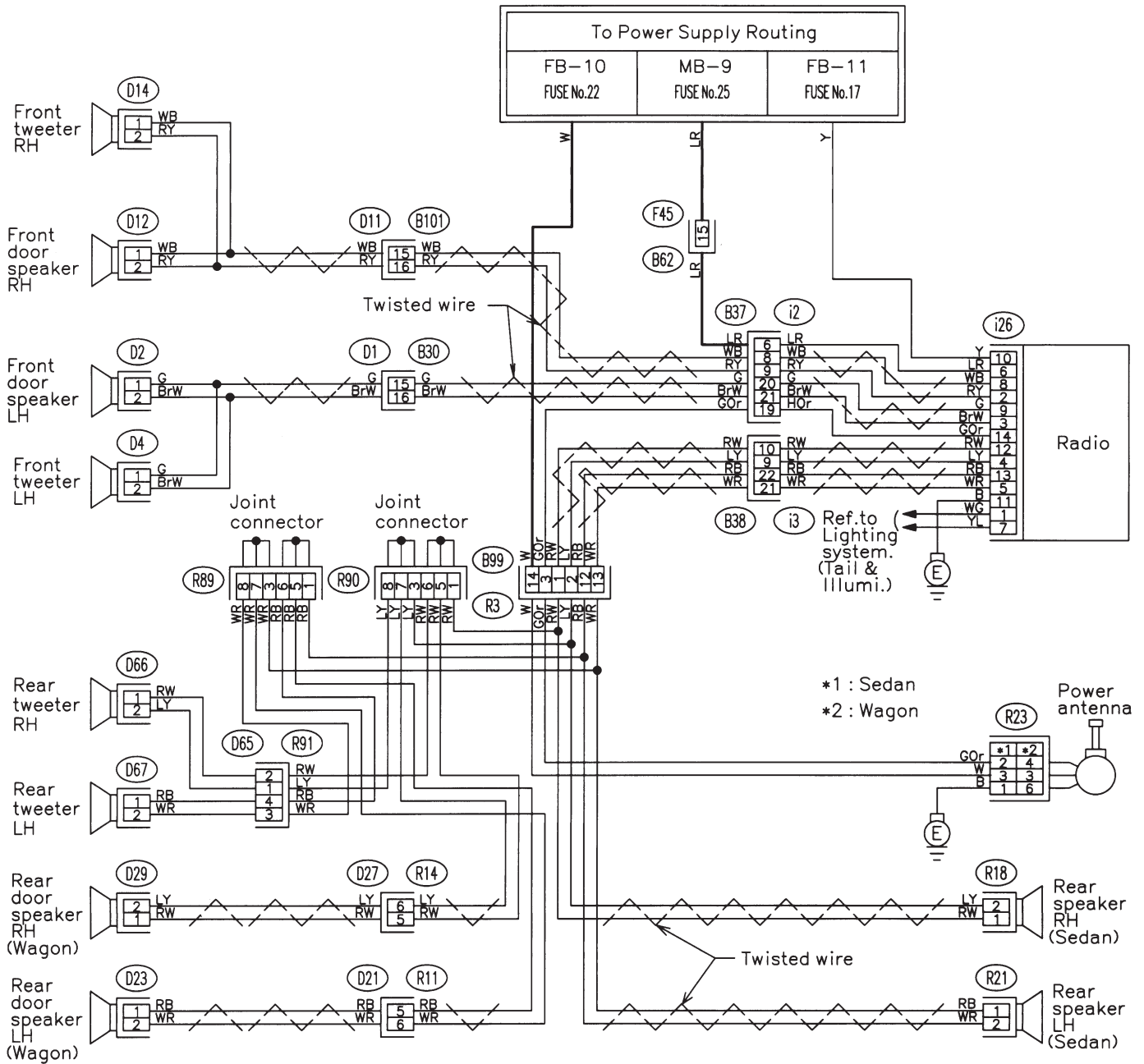
WIRING DIAGRAM

2. RHD MODEL

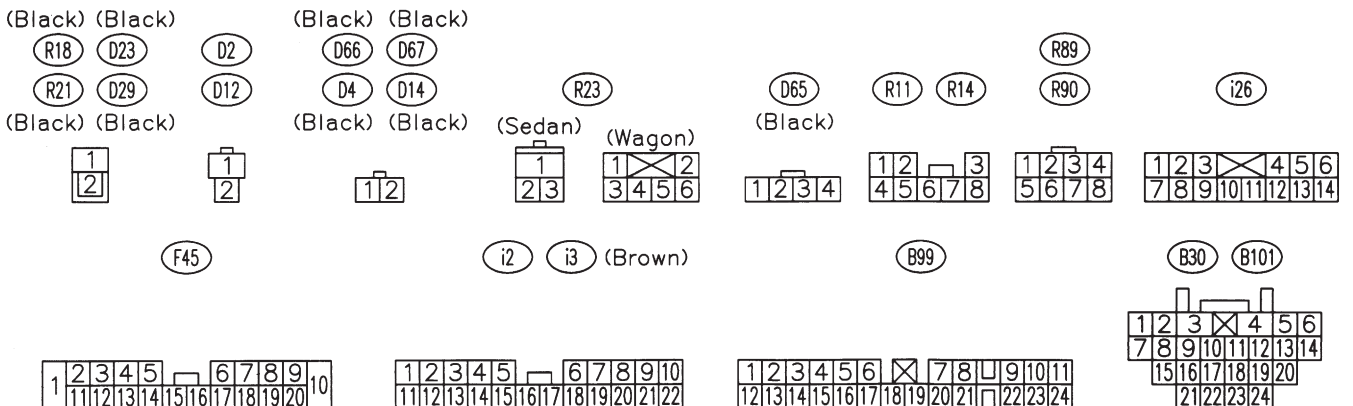


H: AUDIO SYSTEM

1. LHD MODEL



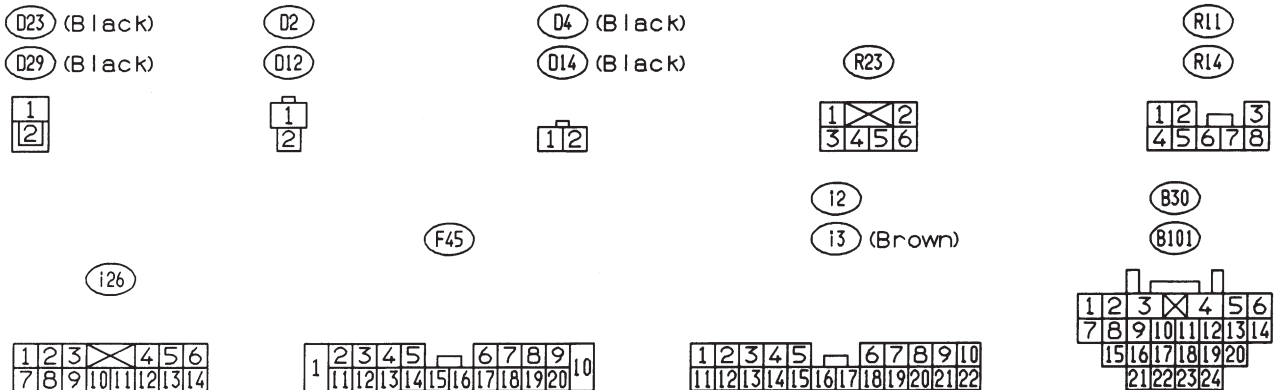
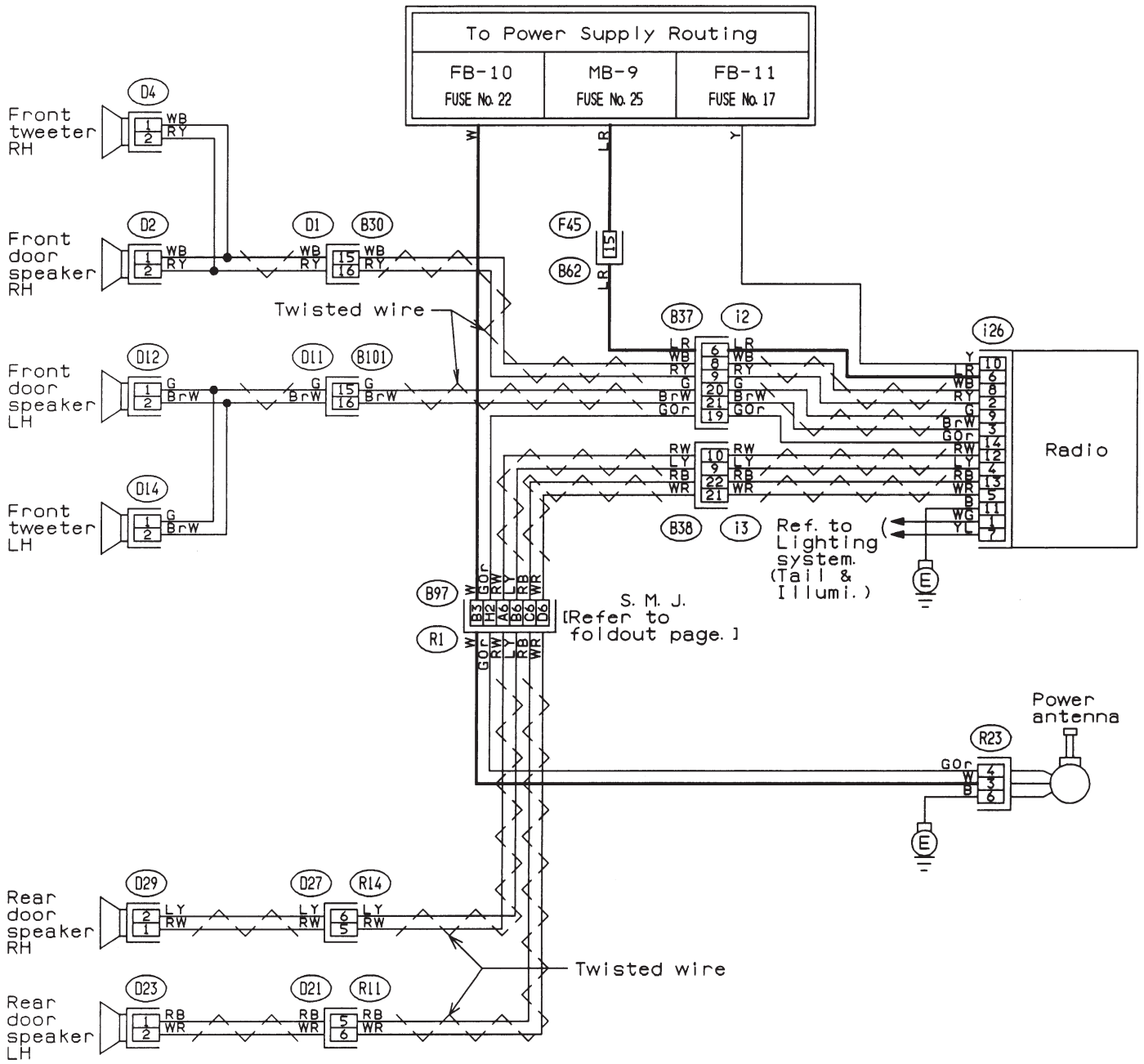
*1 : Sedan
*2 : Wagon



WIRING DIAGRAM

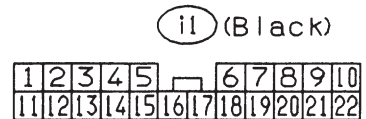
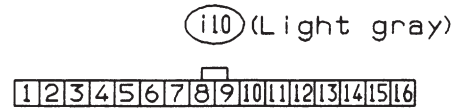
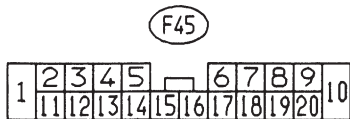
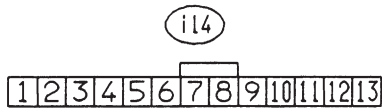
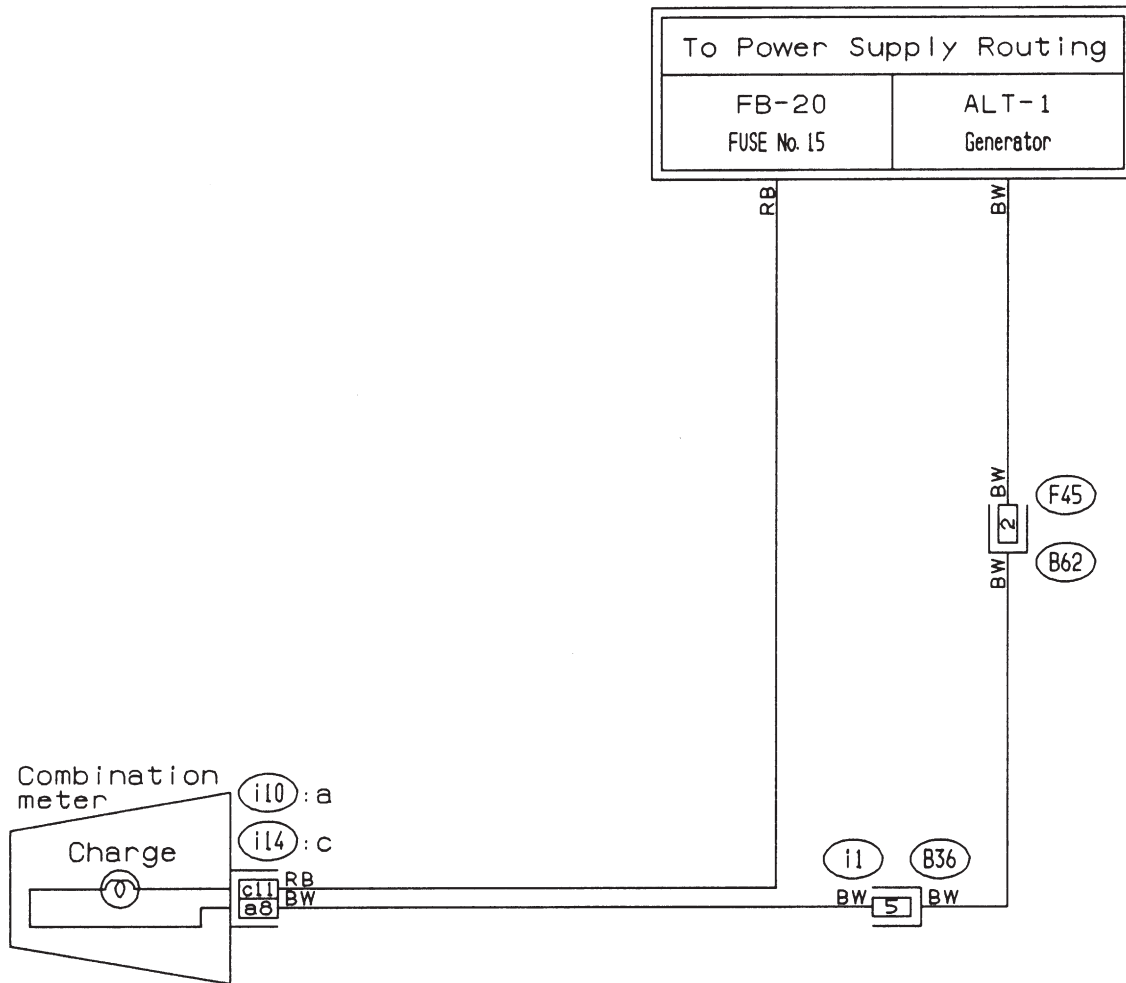
[D6H2] **6-3**
6. Wiring Diagram

2. RHD MODEL



WIRING DIAGRAM

I: CHARGING SYSTEM

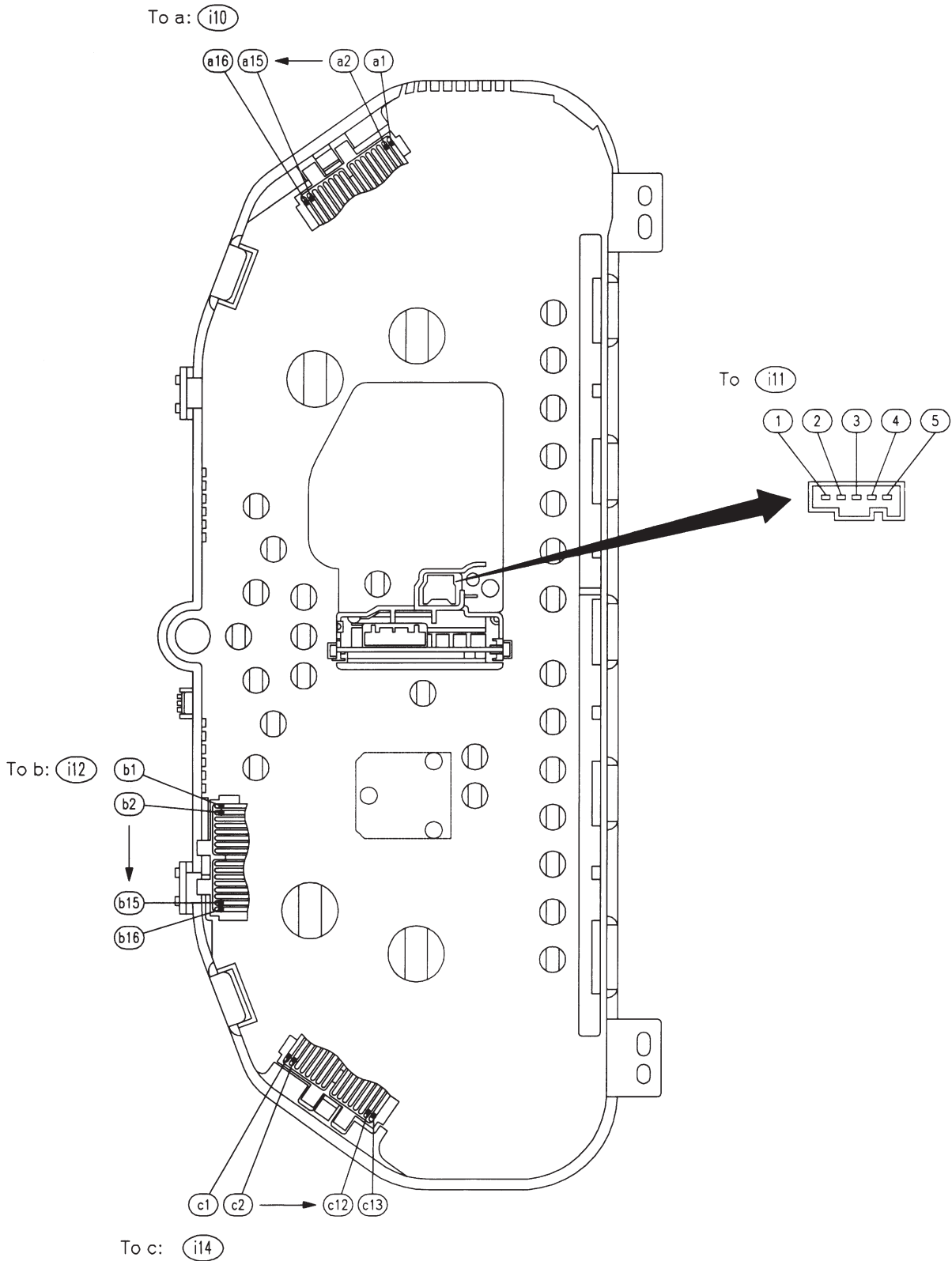


WIRING DIAGRAM

[D610] **6-3**
6. Wiring Diagram

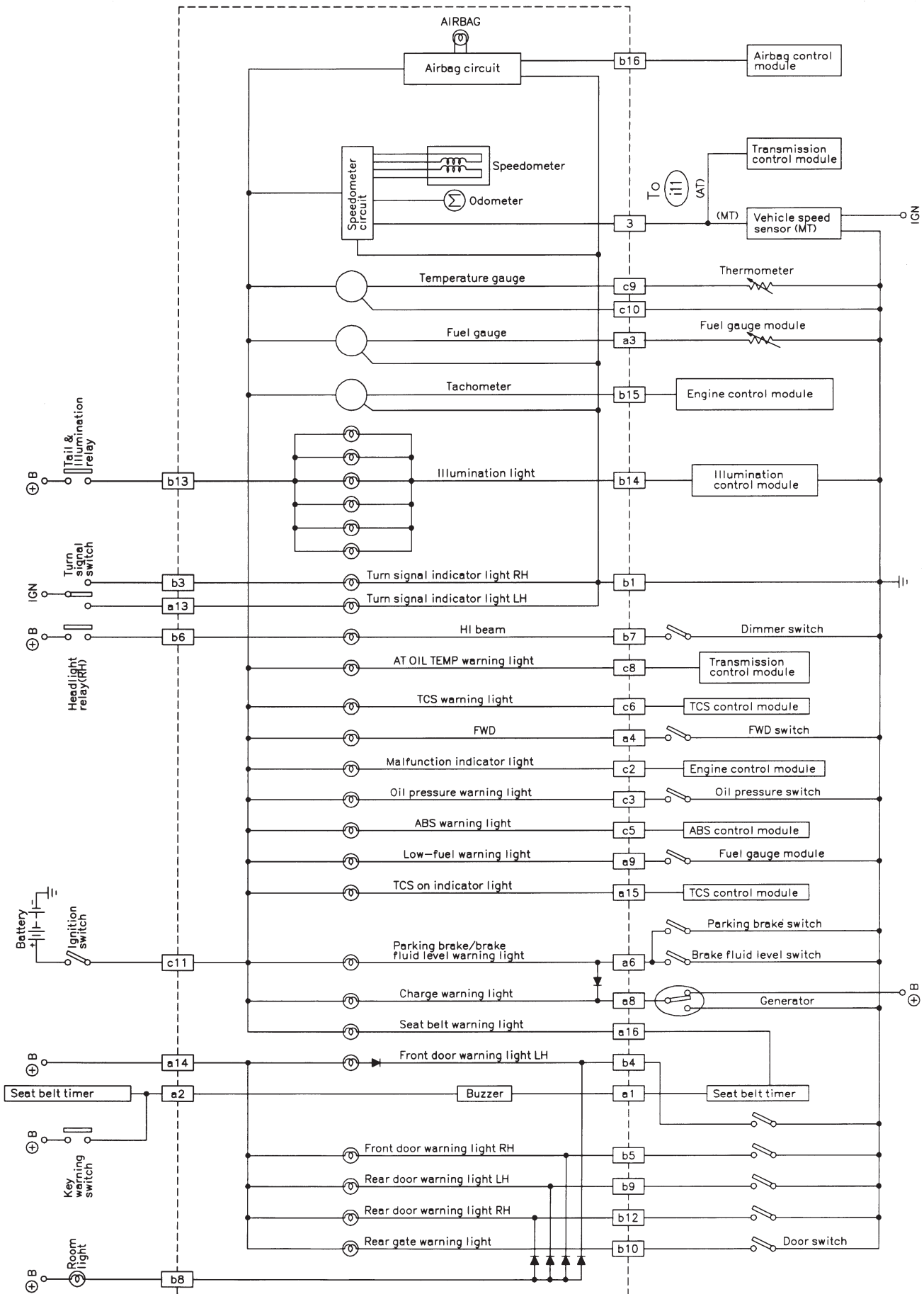
MEMO:

J: COMBINATION METER



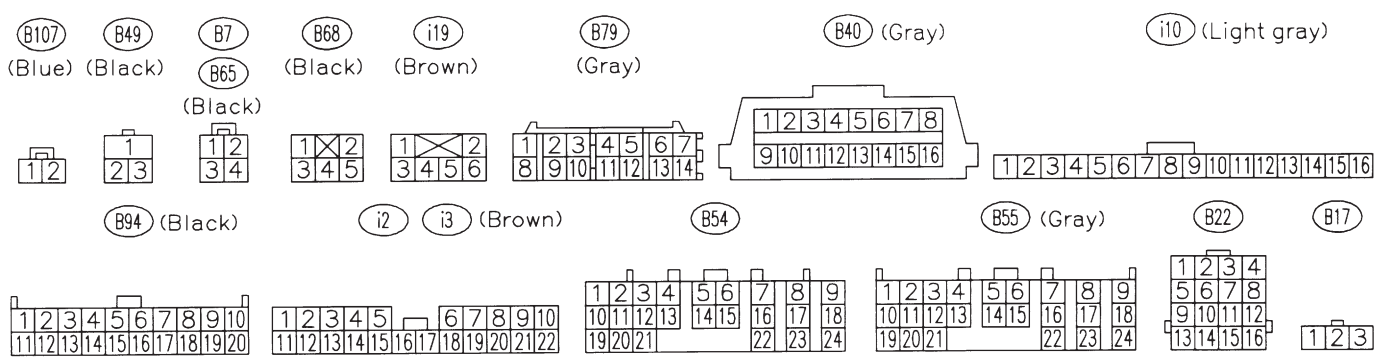
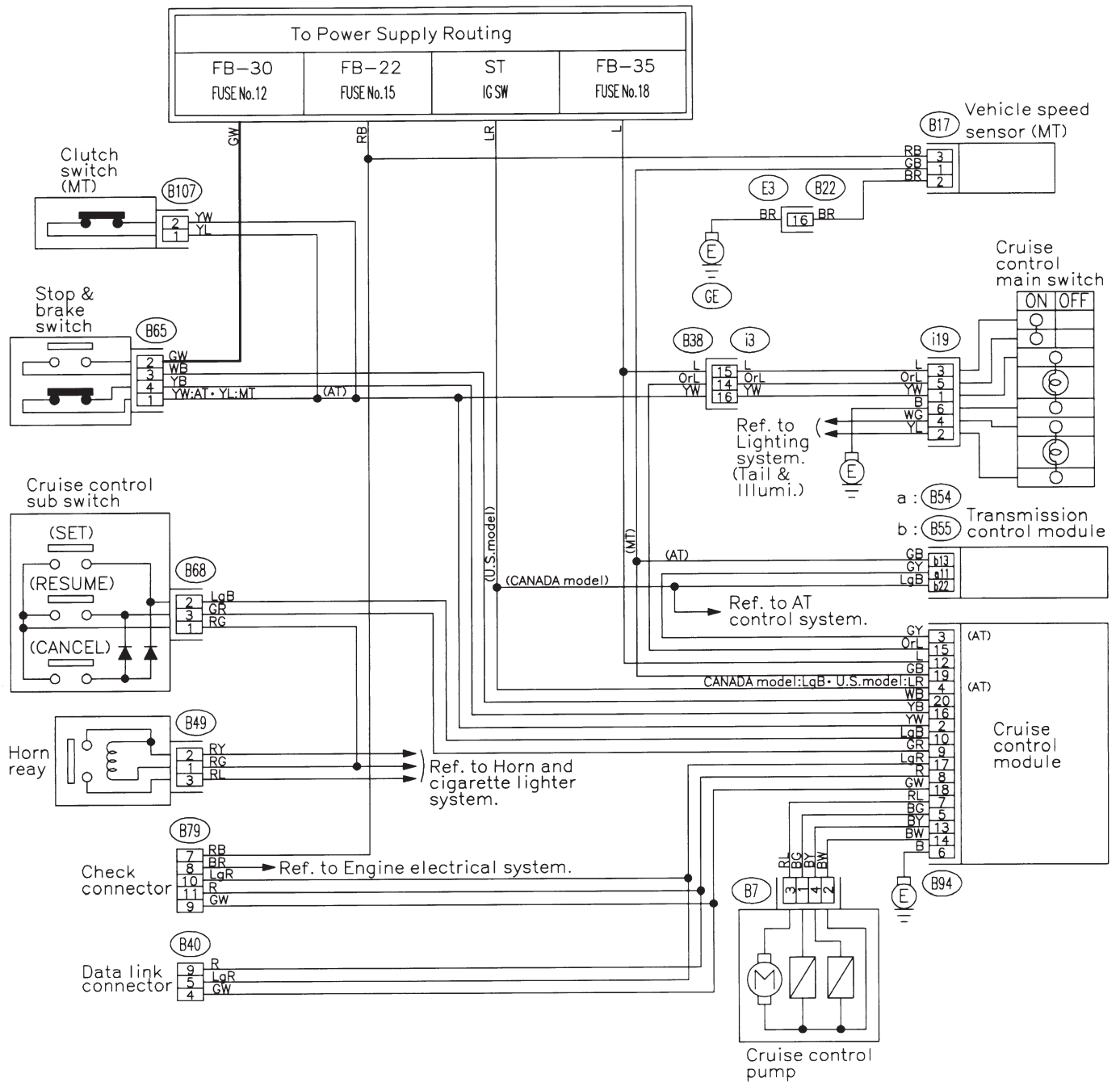
WIRING DIAGRAM

[D6J0] 6-3
6. Wiring Diagram



BU65-05B

K: CRUISE CONTROL SYSTEM

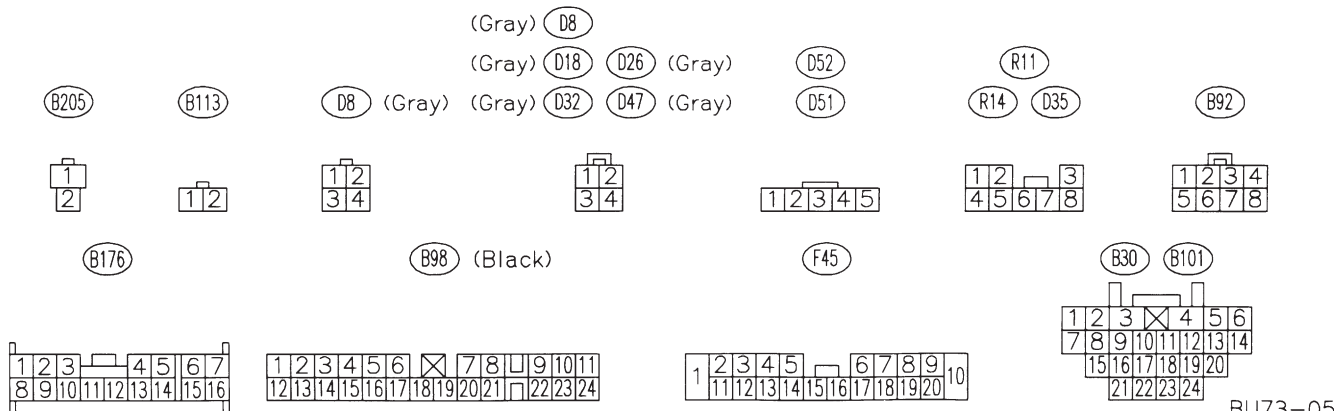
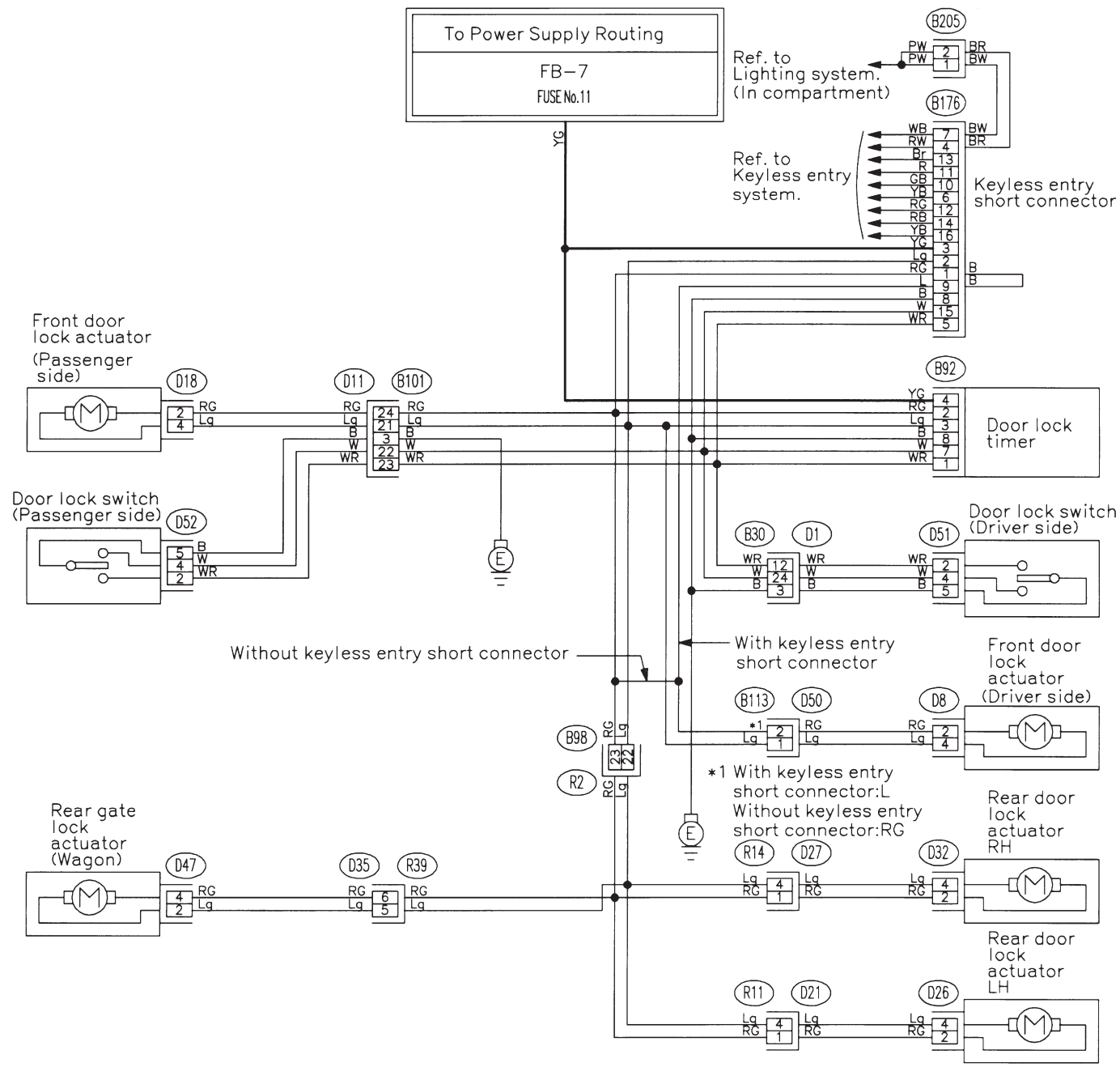


MEMO:

WIRING DIAGRAM

L: DOOR LOCK SYSTEM

1. LHD MODEL

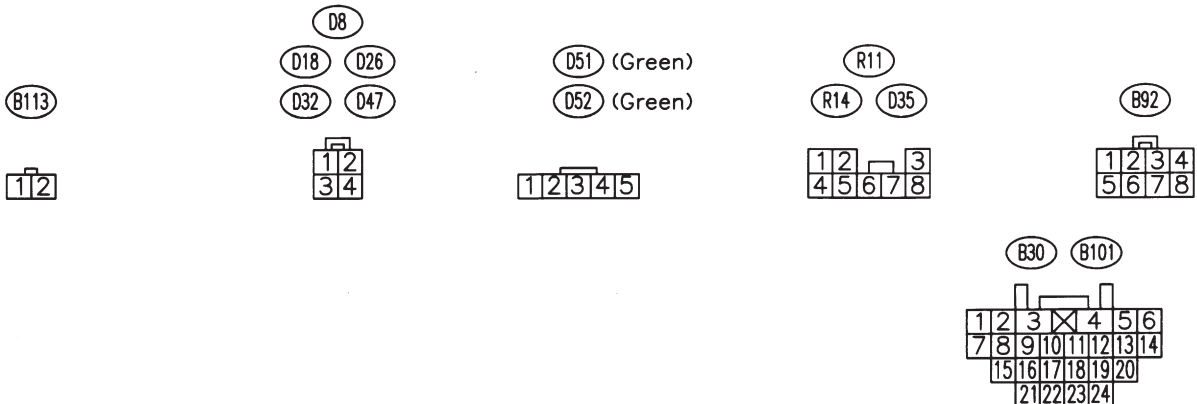
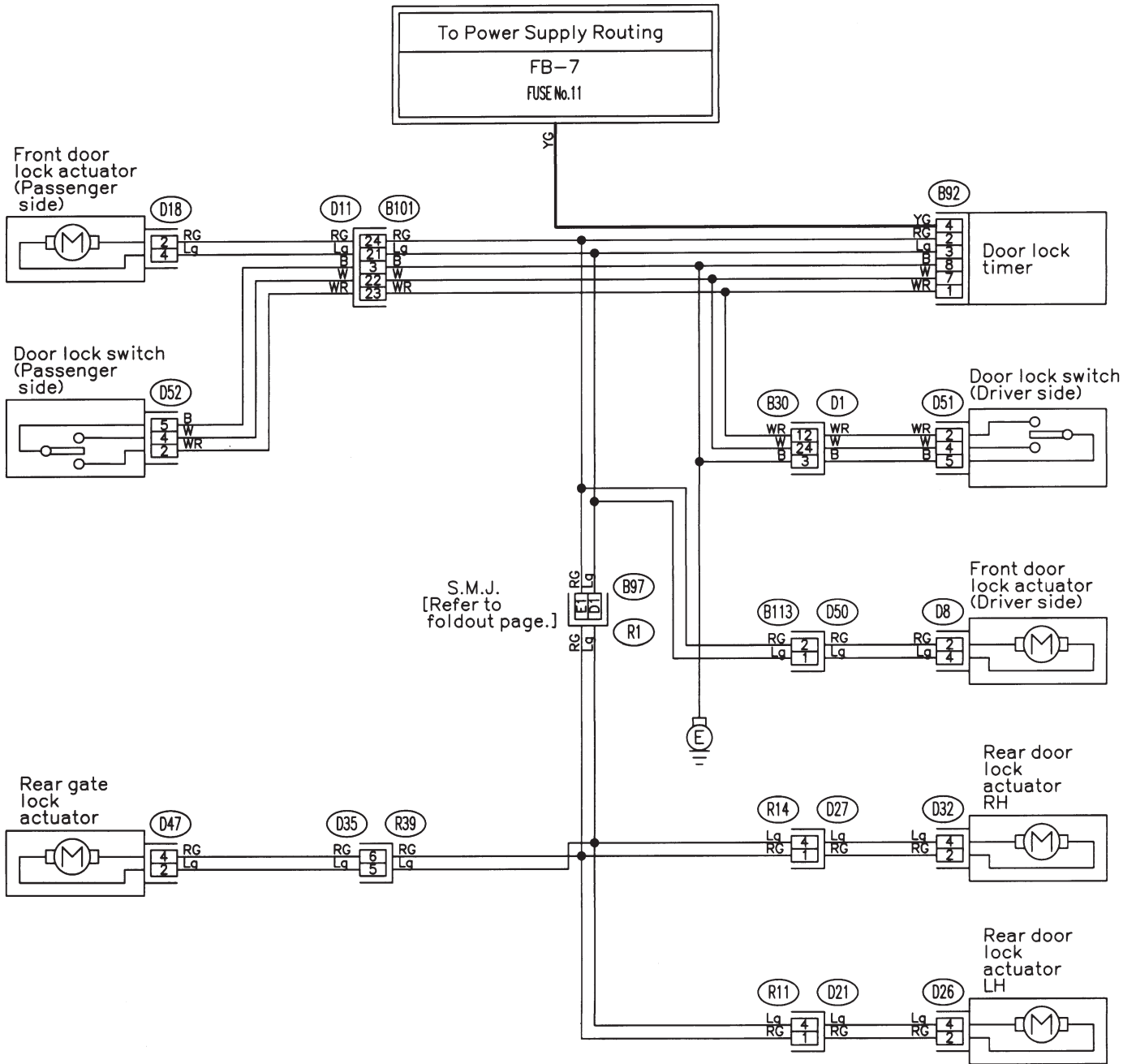


BU73-05

WIRING DIAGRAM

[D6L2] 6-3
6. Wiring Diagram

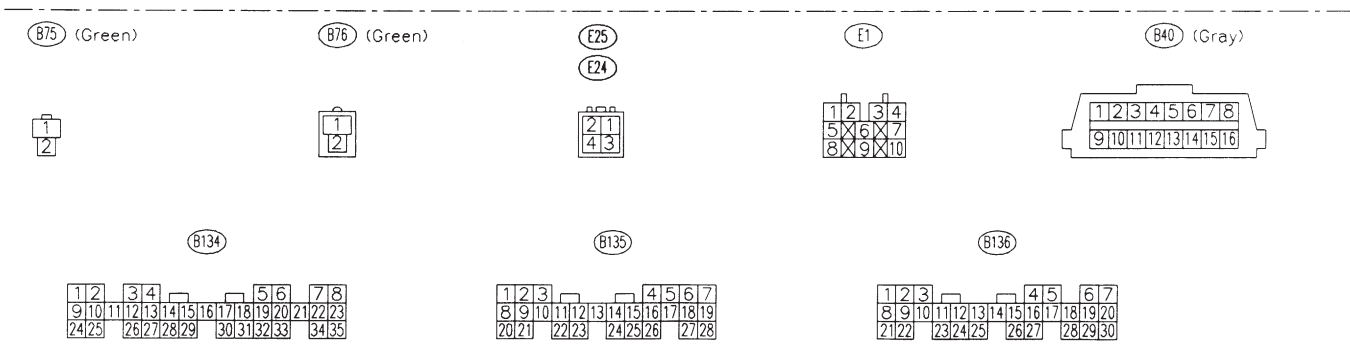
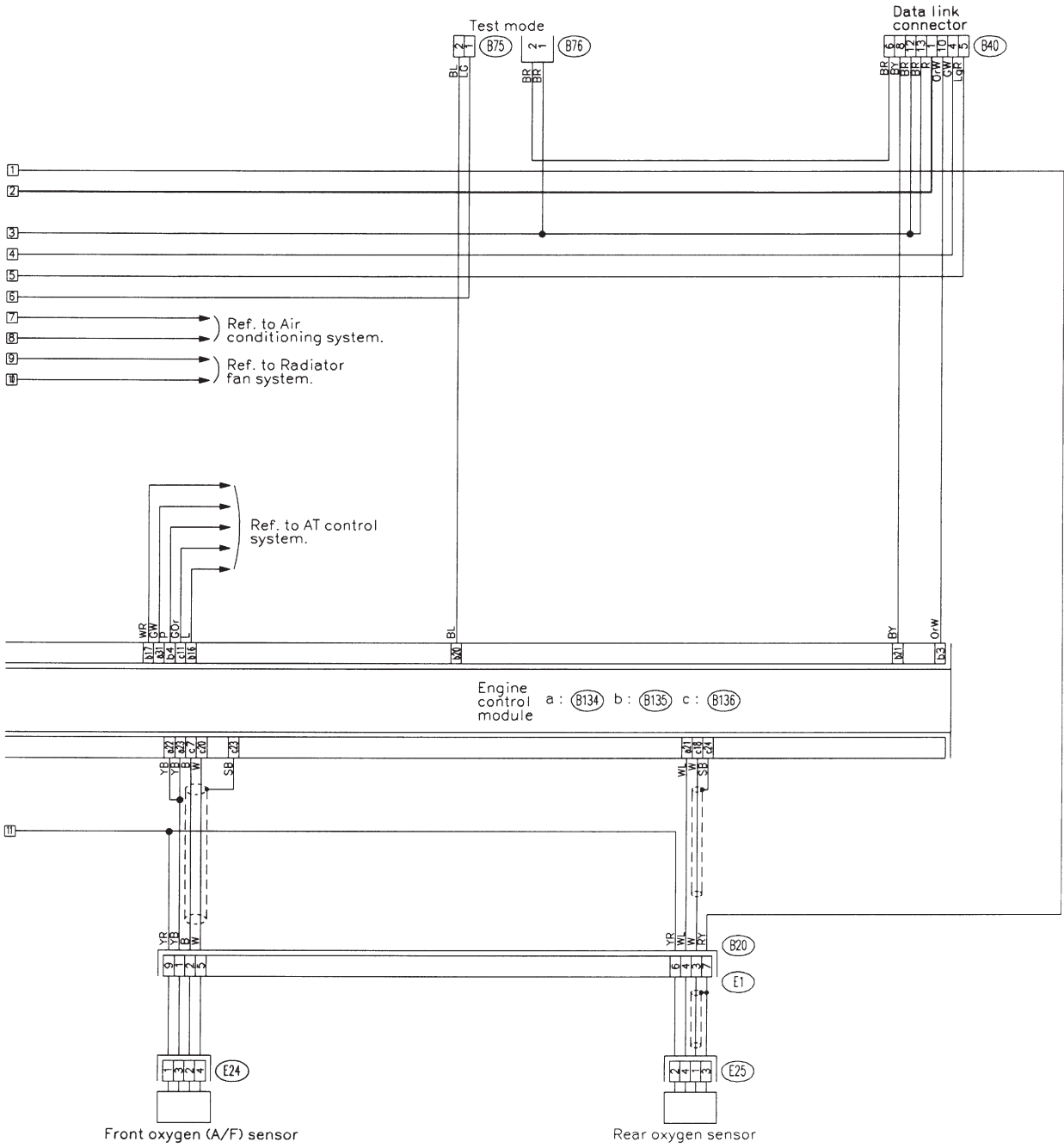
2. RHD MODEL



BUR73-02

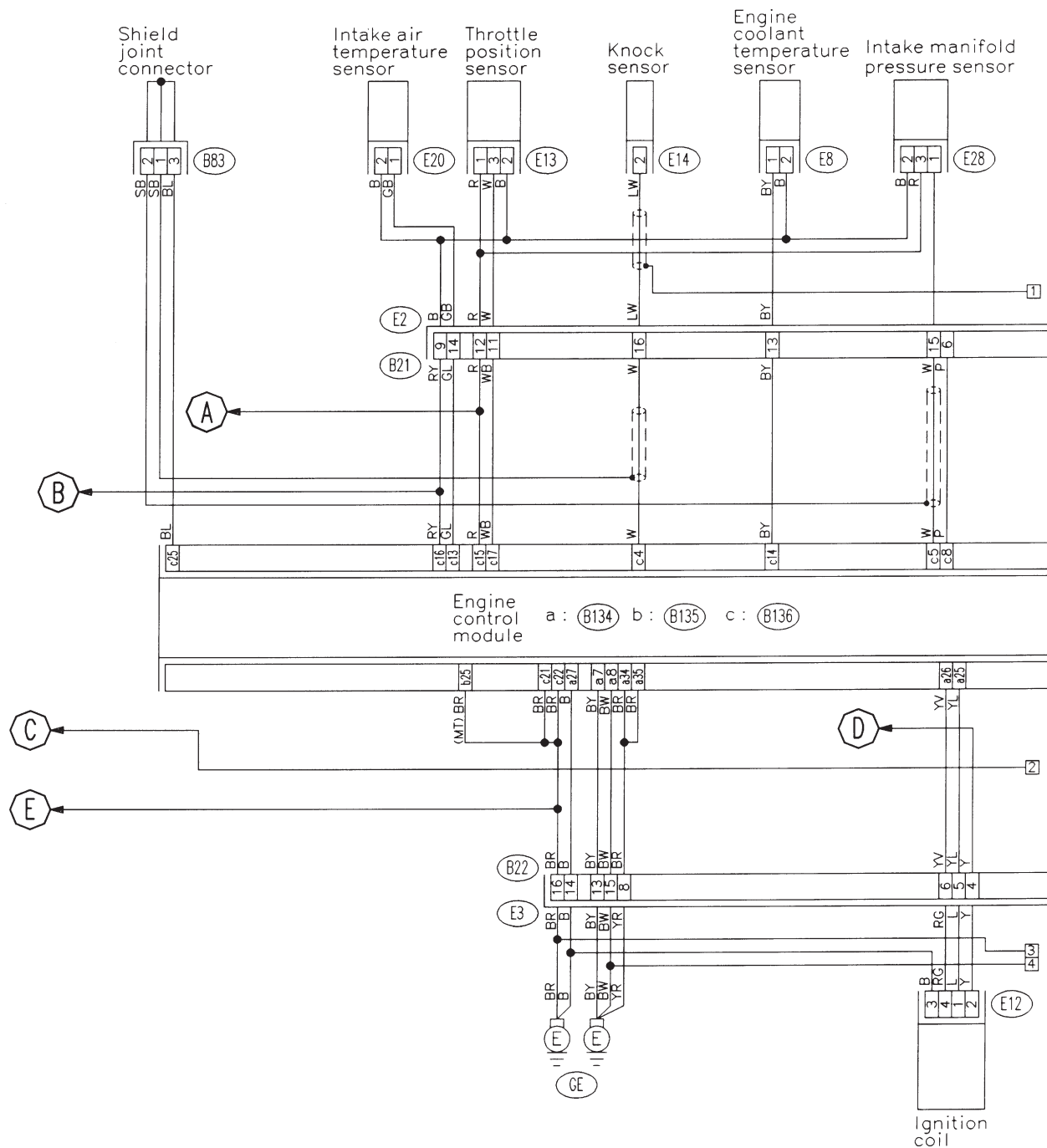
WIRING DIAGRAM

[D6M1] **6-3**
6. Wiring Diagram



6-3 [D6M1]
6. Wiring Diagram

WIRING DIAGRAM

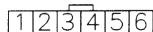


(E14) (Gray)

(E8) (Brown)



(B83)

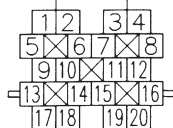


(E28)

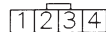
(E13) (Black)



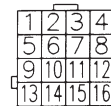
(B21) (Gray)



(E12) (Dark gray)



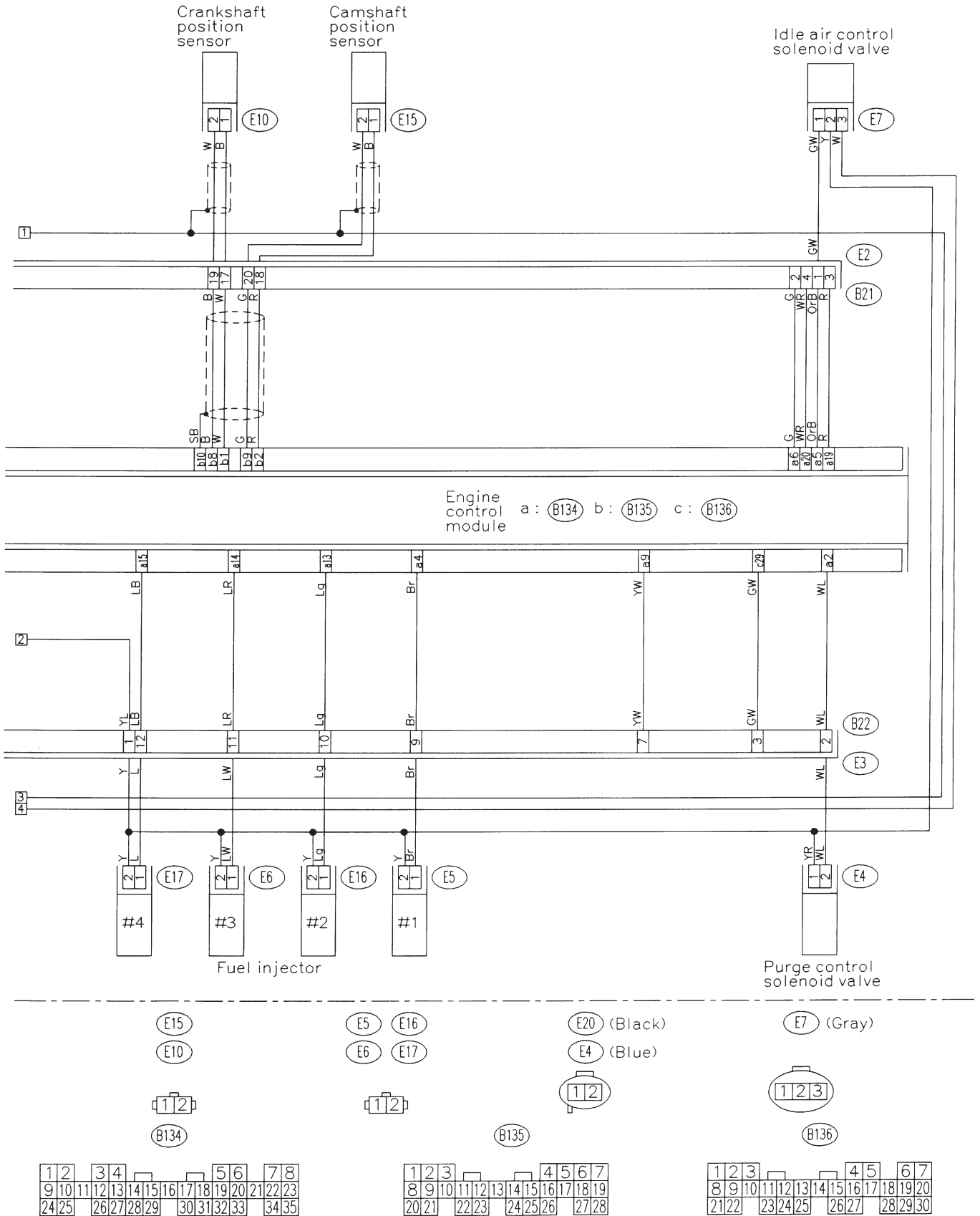
(B22)



BU10-11C

WIRING DIAGRAM

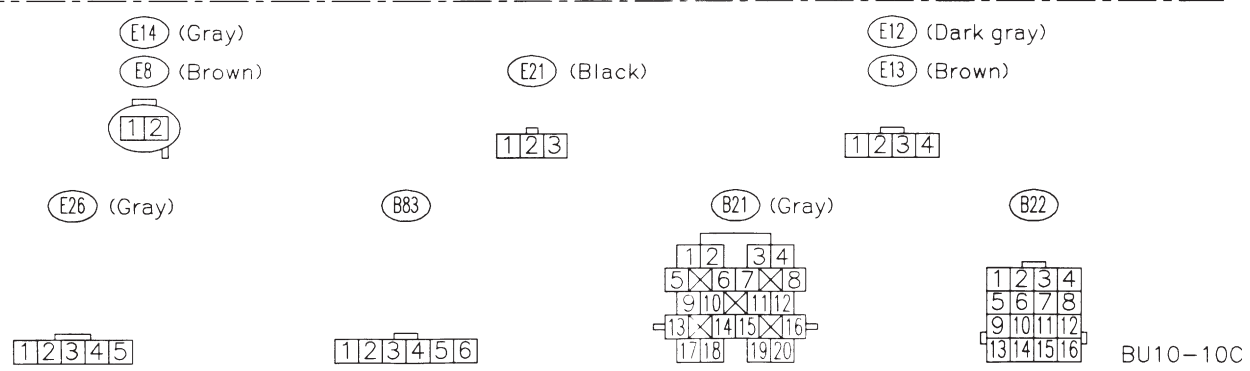
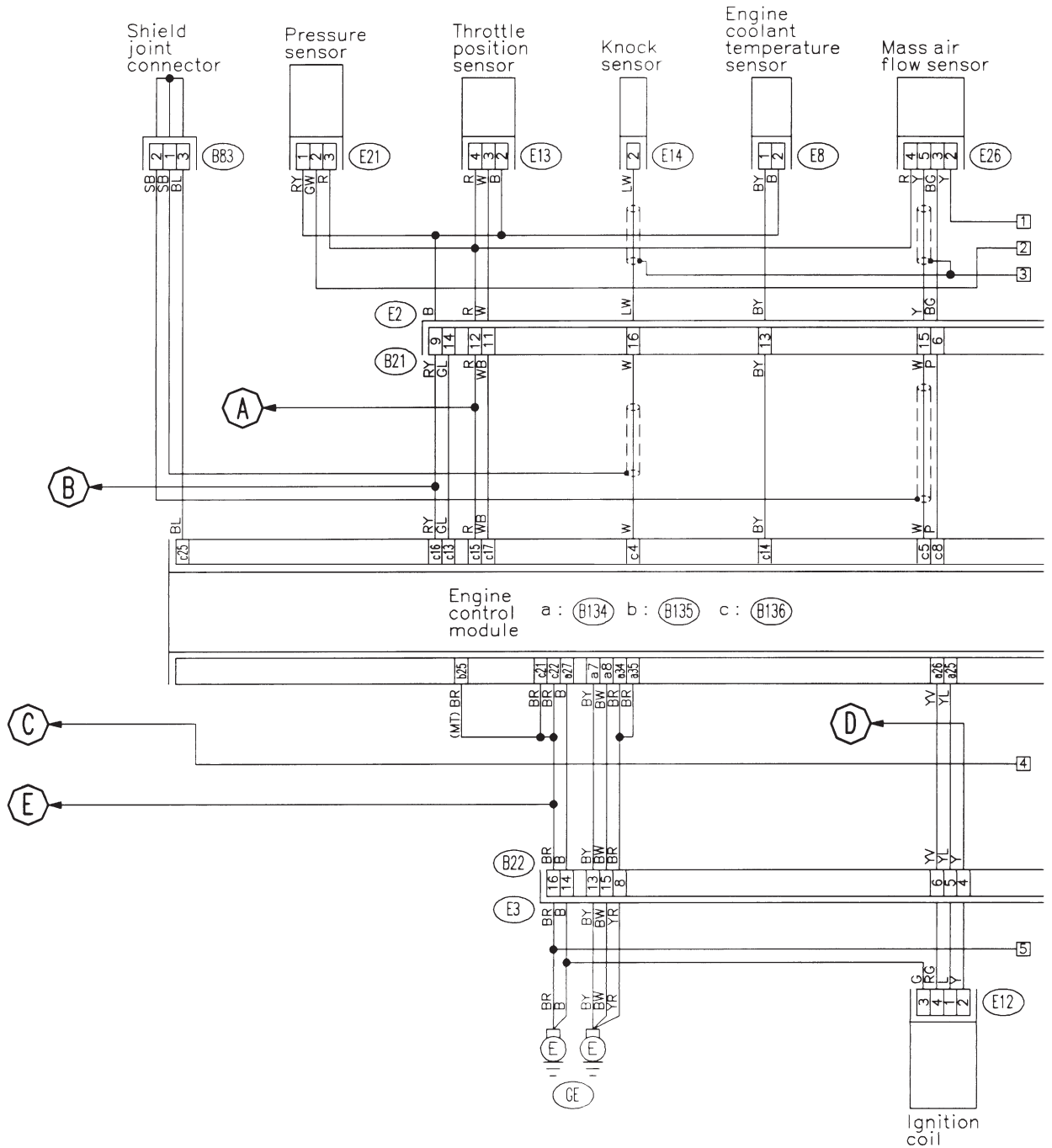
[D6M1] **6-3**
6. Wiring Diagram



BU10-11D

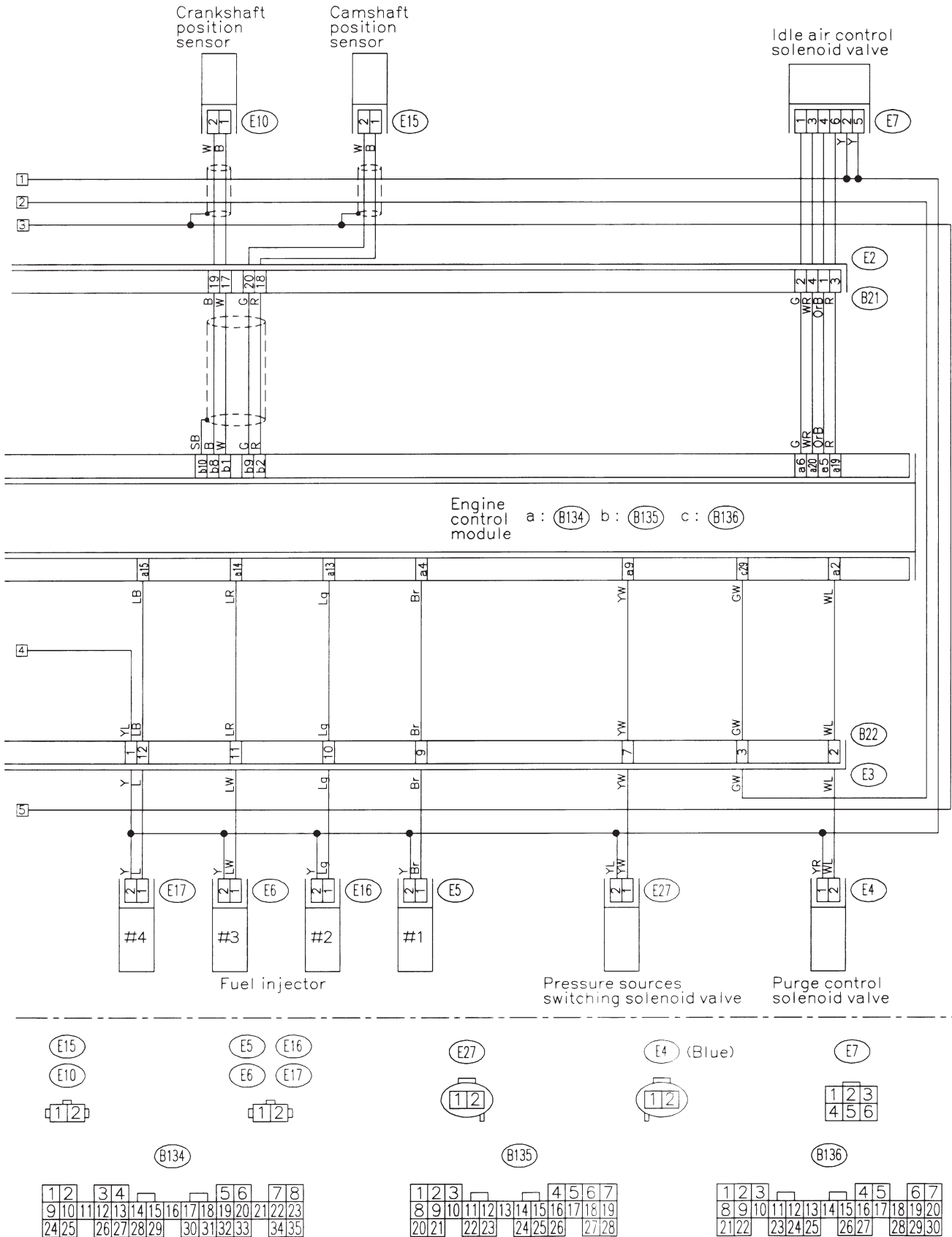
6-3 [D6M2]
6. Wiring Diagram

WIRING DIAGRAM



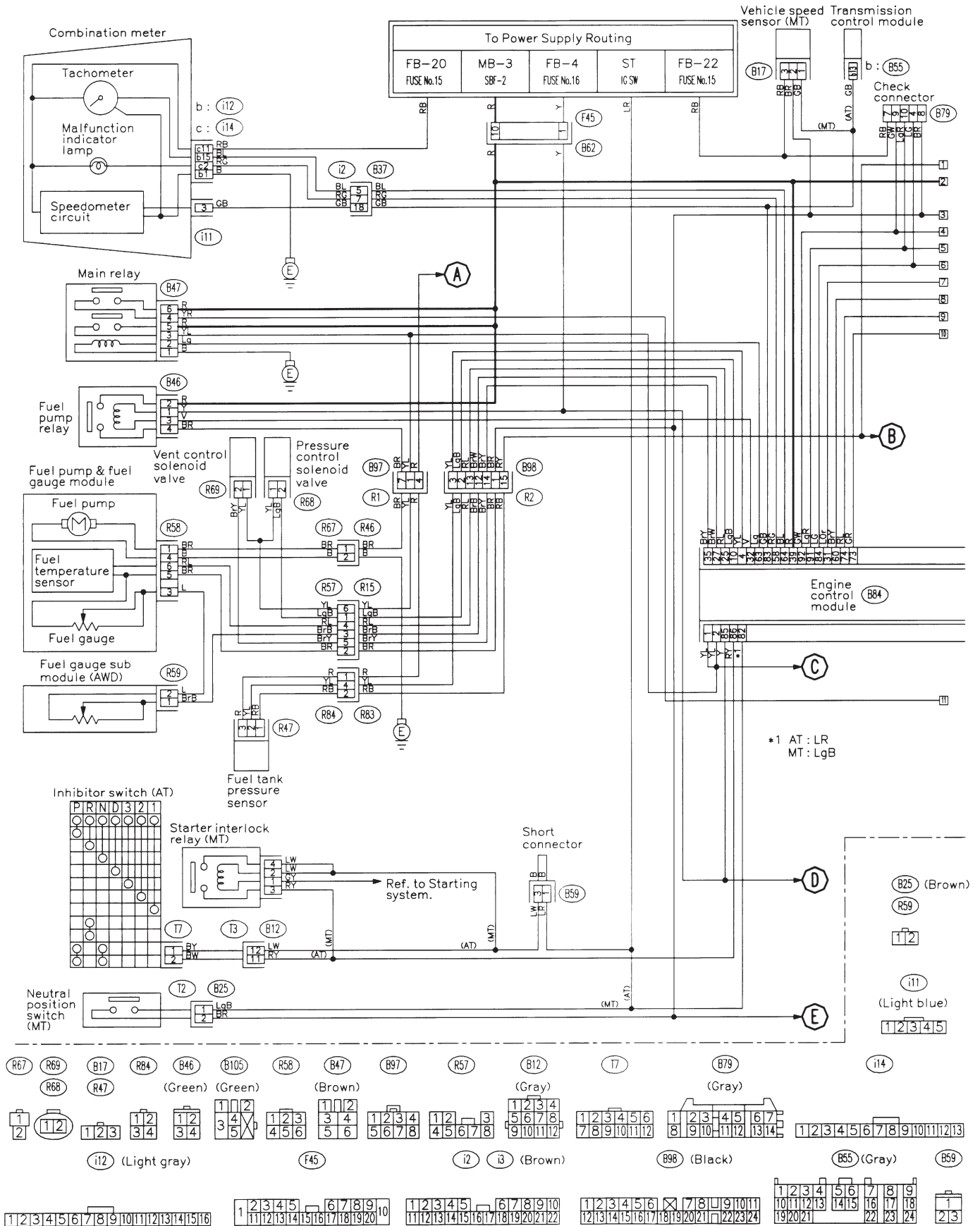
WIRING DIAGRAM

[D6M2] 6-3
6. Wiring Diagram

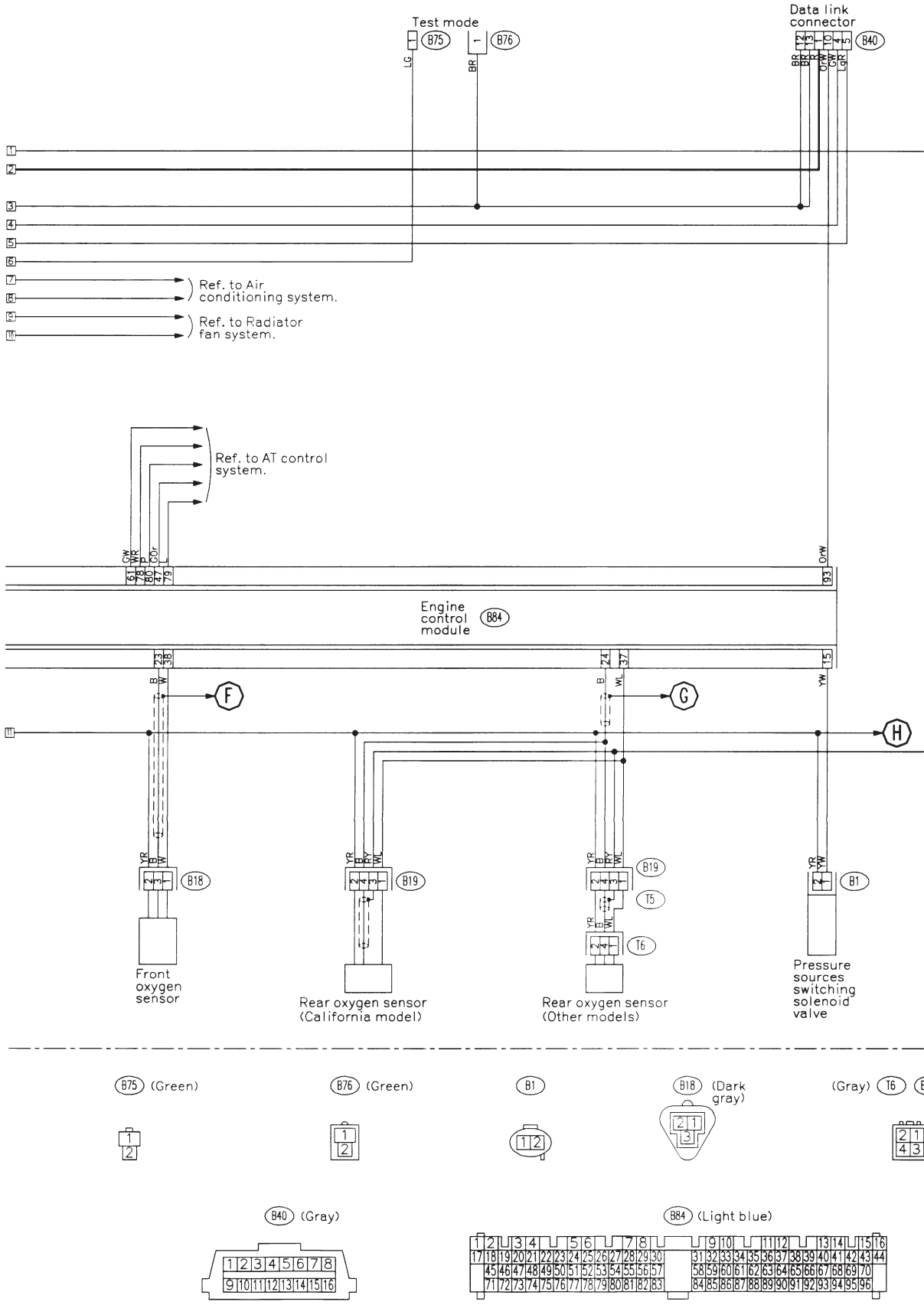


BU10-10D

3. LHD 2500 cc ENGINE MODEL

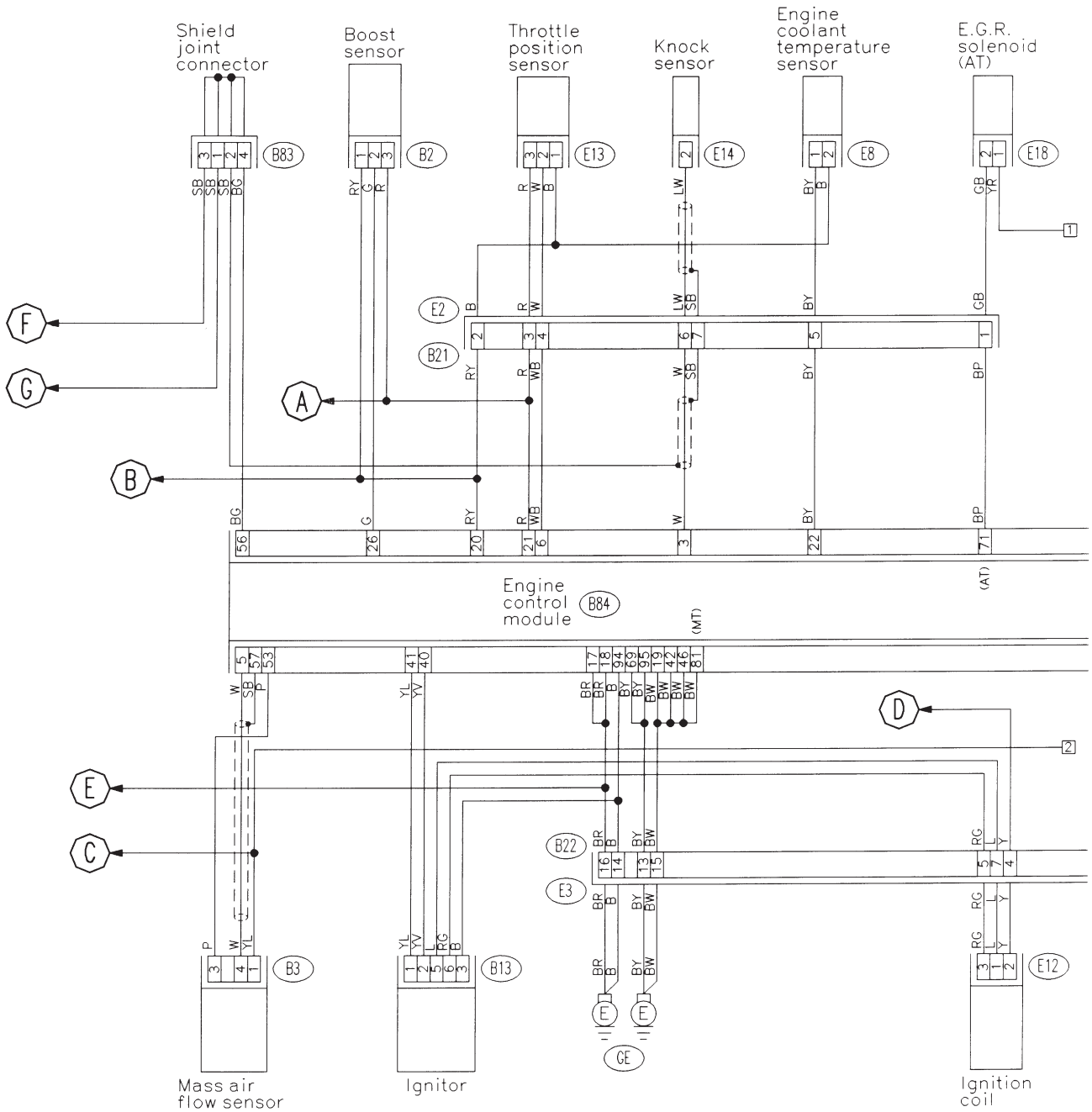


WIRING DIAGRAM



6-3 [D6M3]
6. Wiring Diagram

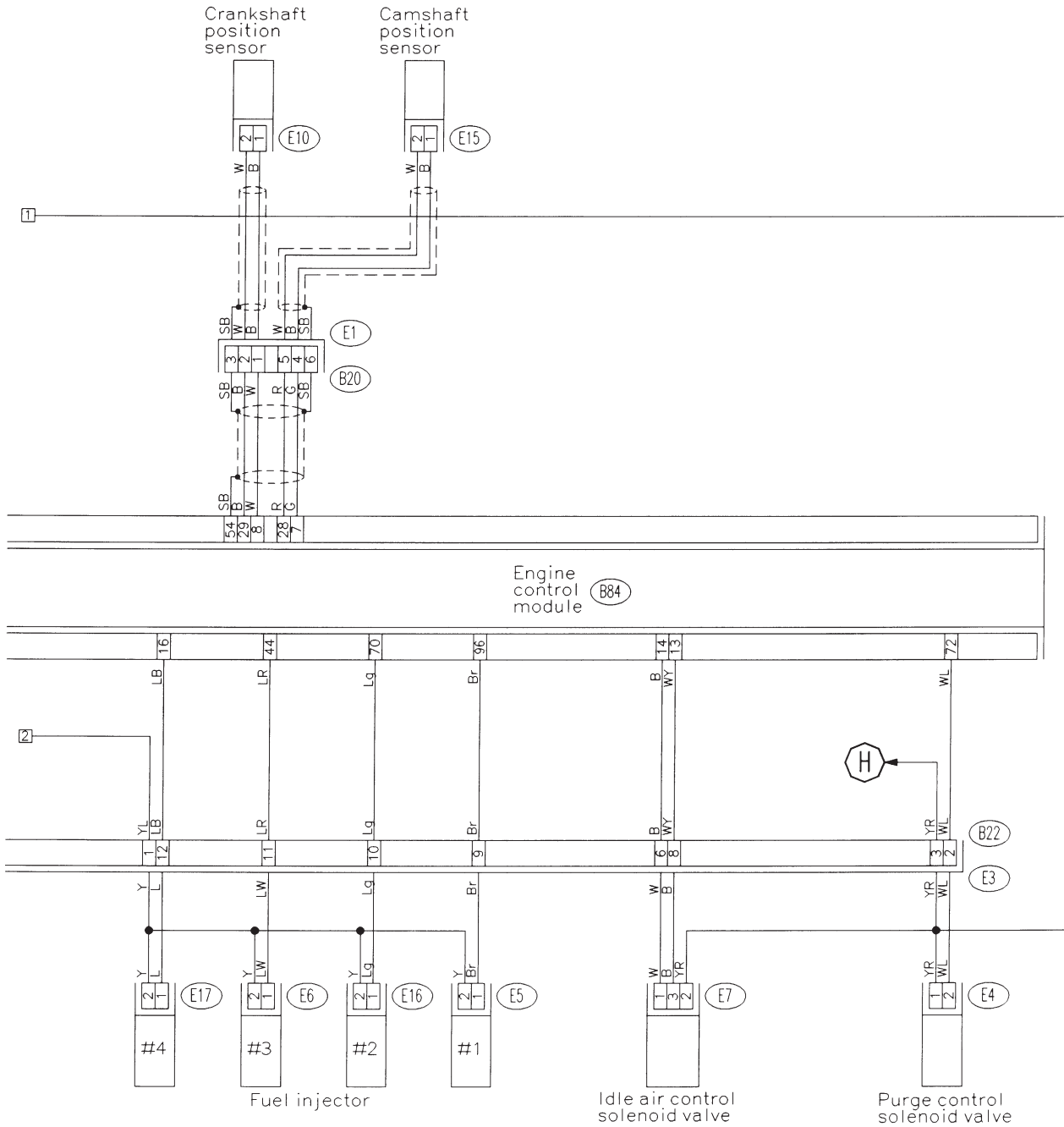
WIRING DIAGRAM



- (Brown) (E18) (E8) (Brown) (Black) (B2) (E13) (Brown) (E12) (Gray) (B83)
- (E14) (Gray)
- (B3) (Gray) (B13) (Gray) (B21) (Light gray) (B22) (Light gray)
- (E12) (Gray)
- (E18) (E8) (Brown) (Black) (B2) (E13) (Brown) (E12) (Gray) (B83)
- (E14) (Gray)
- (B3) (Gray) (B13) (Gray) (B21) (Light gray) (B22) (Light gray)
- (E12) (Gray)
- (E18) (E8) (Brown) (Black) (B2) (E13) (Brown) (E12) (Gray) (B83)
- (E14) (Gray)
- (B3) (Gray) (B13) (Gray) (B21) (Light gray) (B22) (Light gray)
- (E12) (Gray)
- (E18) (E8) (Brown) (Black) (B2) (E13) (Brown) (E12) (Gray) (B83)
- (E14) (Gray)
- (B3) (Gray) (B13) (Gray) (B21) (Light gray) (B22) (Light gray)
- (E12) (Gray)

BU10-09C

WIRING DIAGRAM



- (E15) (Dark gray) (Light gray) (E5) (Light gray) (E16)
- (E10) (Gray) (Dark gray) (E6) (Dark gray) (E17)



(B84) (Light blue)

(E4) (Blue)

(E7) (Gray)

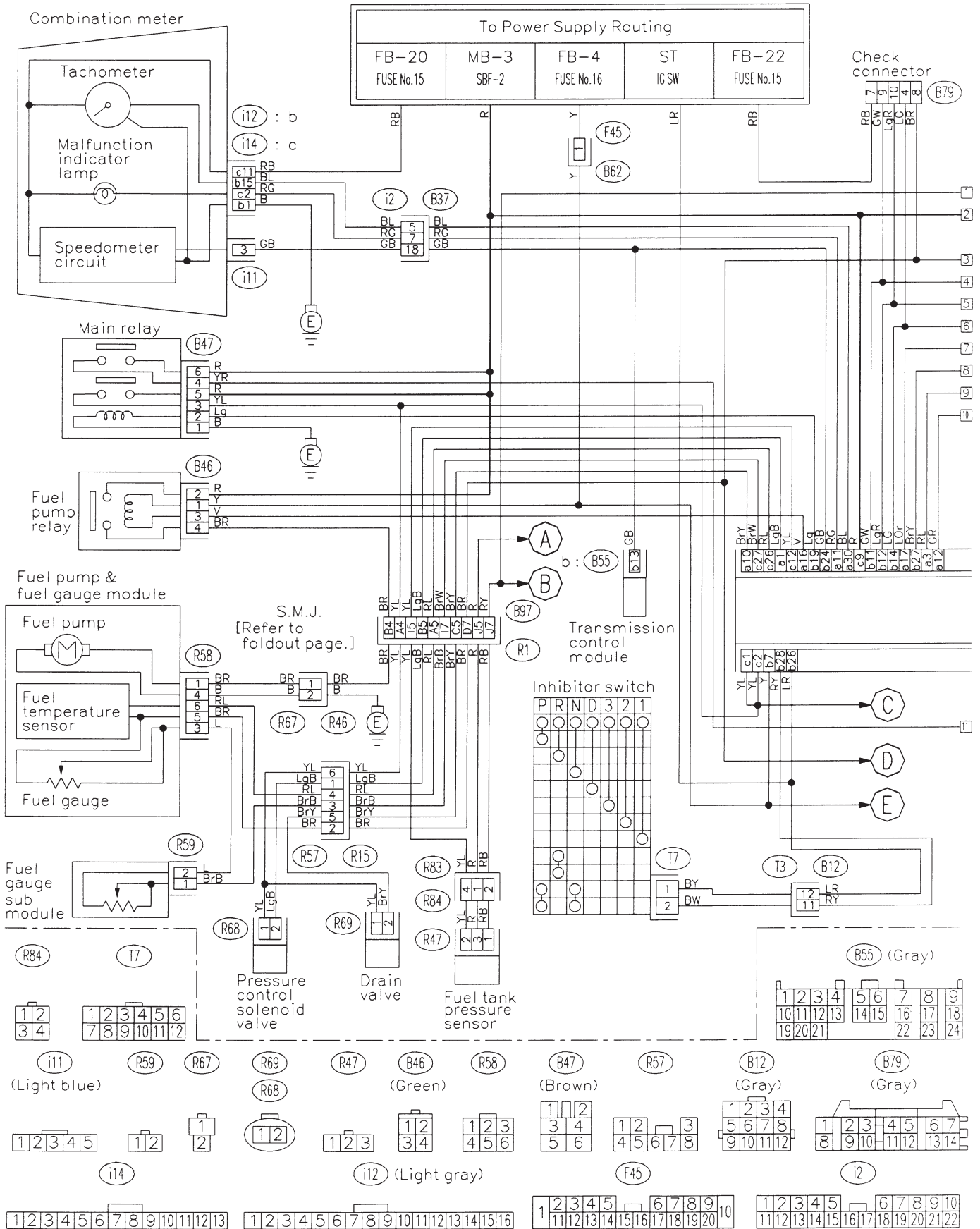
(B20) (Light gray)



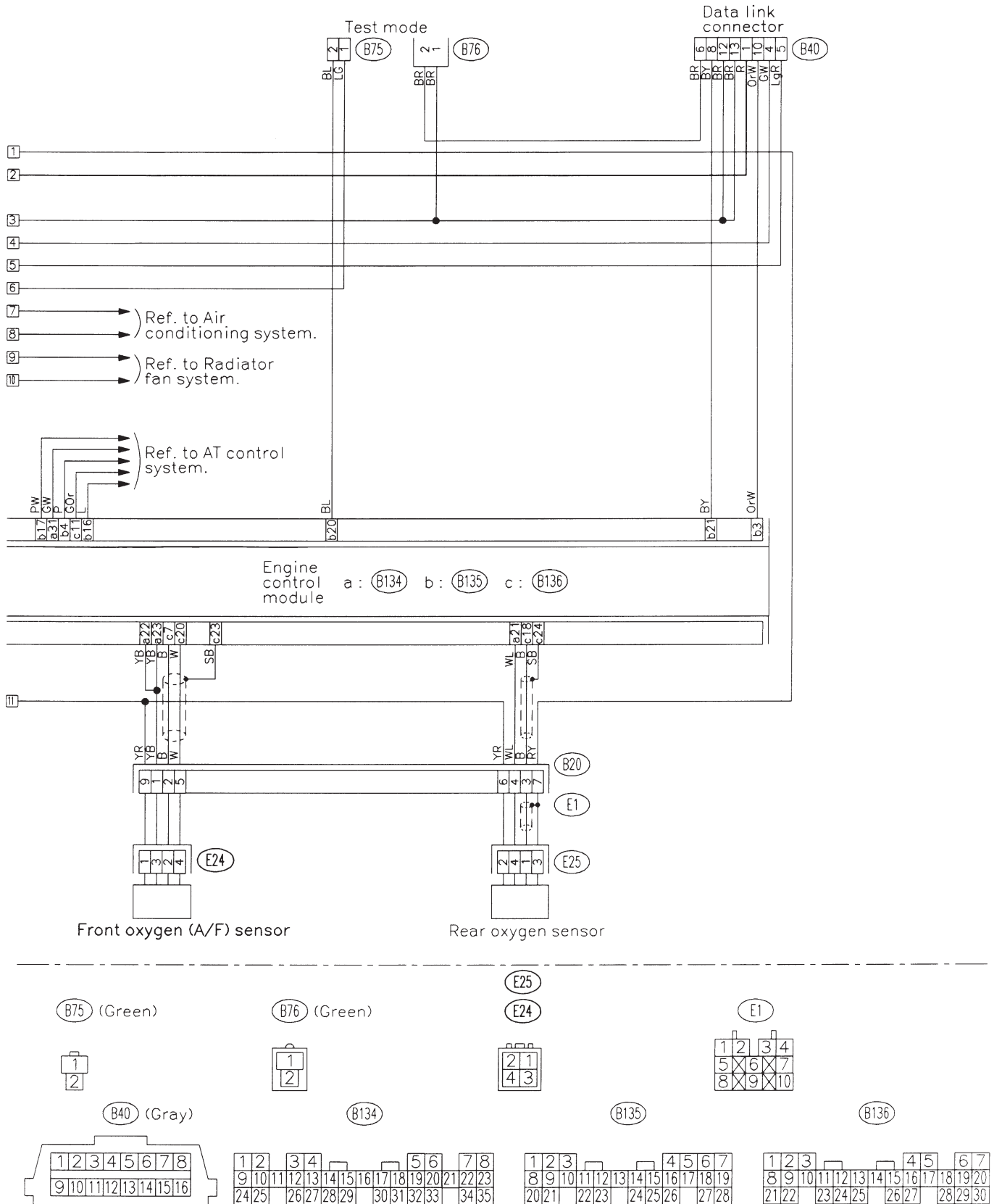
1	2	3	4	5	6	7	8	9	10	11	12	13	14	15	16																																				
17	18	19	20	21	22	23	24	25	26	27	28	29	30	31	32	33	34	35	36	37	38	39	40	41	42	43	44																								
45	46	47	48	49	50	51	52	53	54	55	56	57	58	59	60	61	62	63	64	65	66	67	68	69	70	71	72	73	74	75	76	77	78	79	80	81	82	83	84	85	86	87	88	89	90	91	92	93	94	95	96

WIRING DIAGRAM

4. RHD CALIFORNIA MODEL

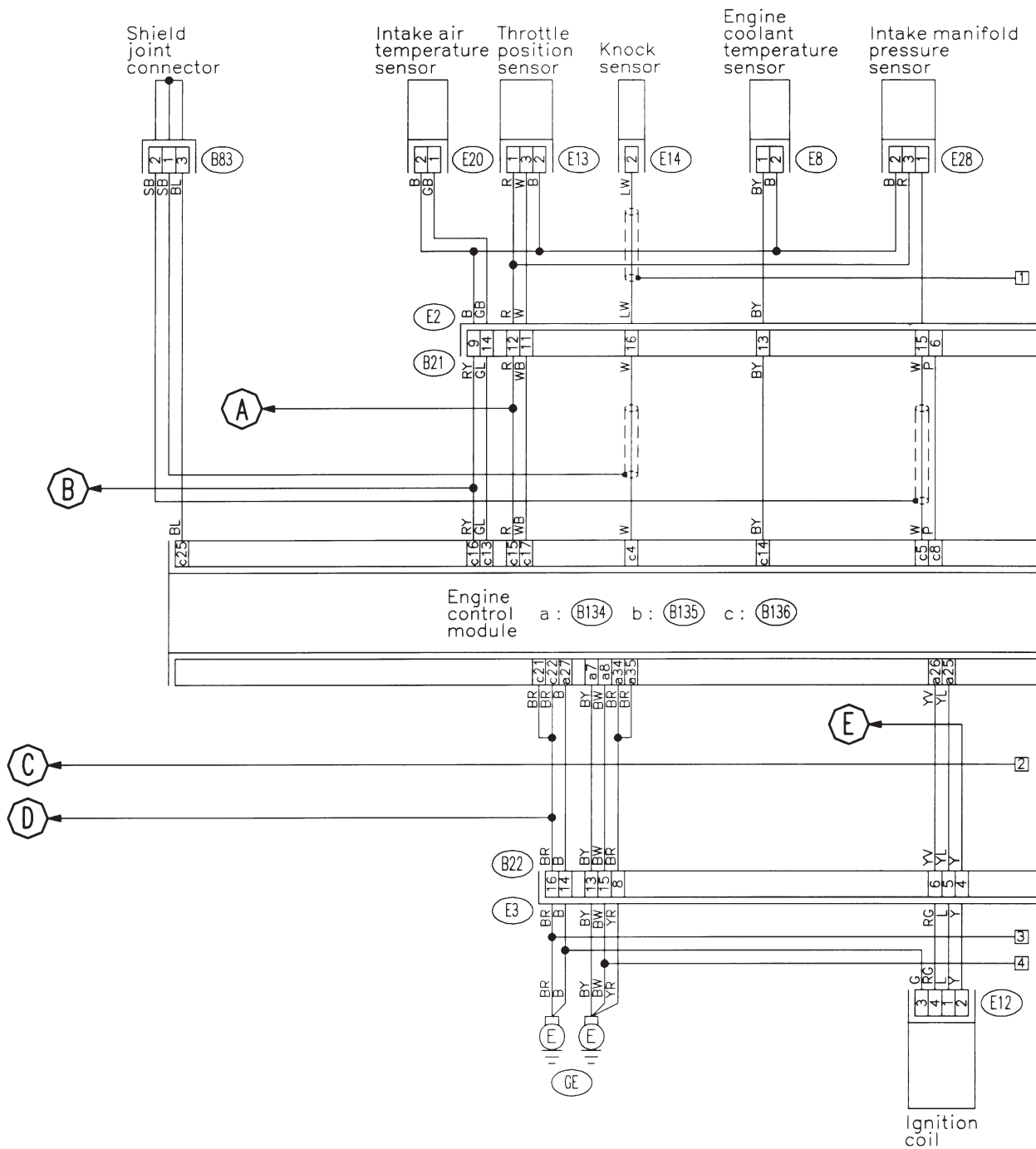


WIRING DIAGRAM



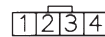
6-3 [D6M4]
6. Wiring Diagram

WIRING DIAGRAM



(Gray) E14 E8 (Brown)

E12 (Dark gray)

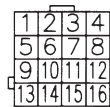
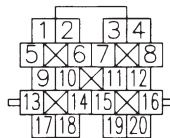
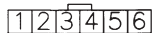


(Black) E13 E28

B83

B21

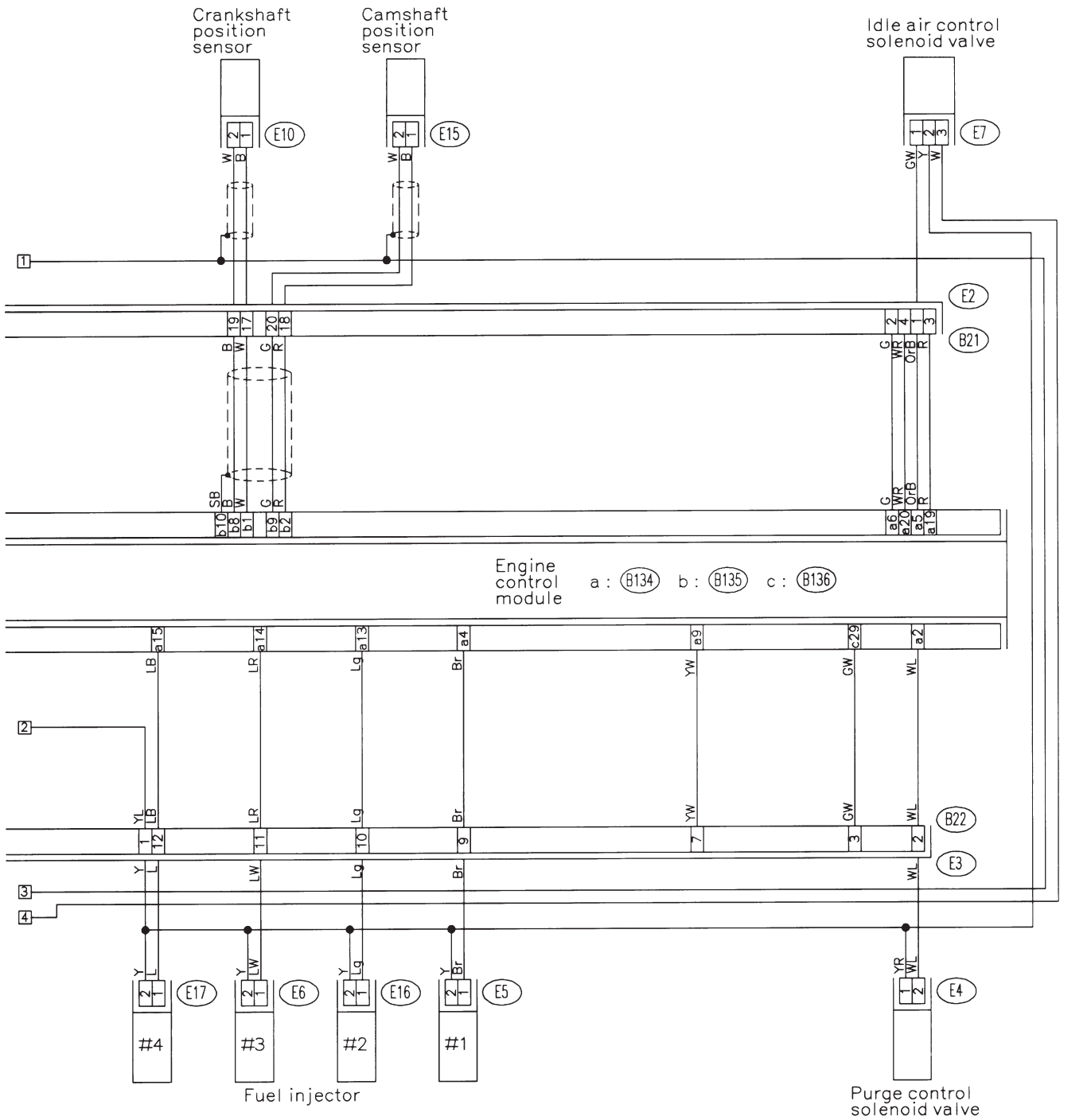
B22



BP10-07C

WIRING DIAGRAM

[D6M4] 6-3
6. Wiring Diagram



1	2	3	4	5	6	7	8
9	10	11	12	13	14	15	16
17	18	19	20	21	22	23	24
25	26	27	28	29	30	31	32
33	34	35					

1	2	3	4	5	6	7
8	9	10	11	12	13	14
15	16	17	18	19	20	21
22	23	24	25	26	27	28

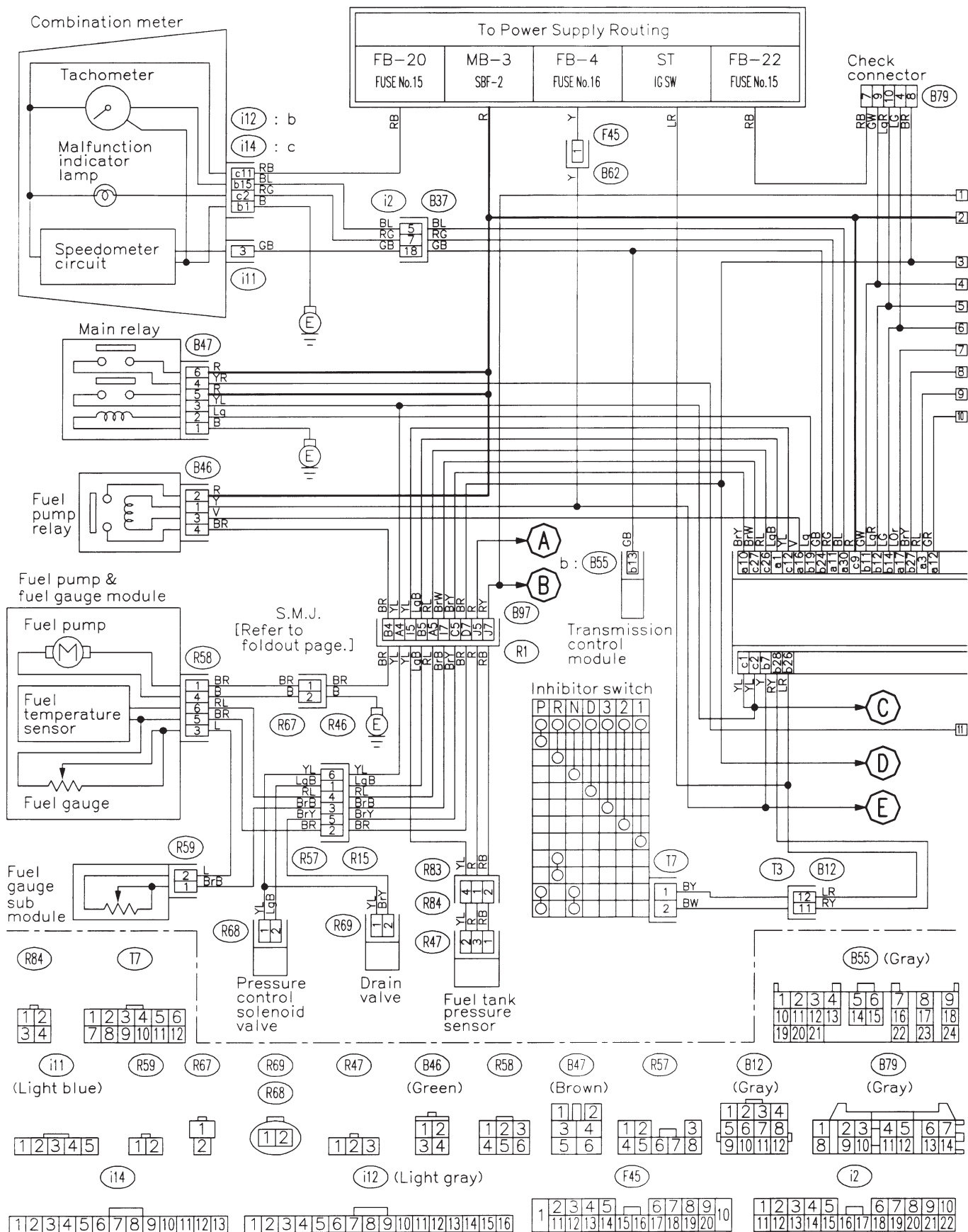
1	2	3	4	5	6	7
8	9	10	11	12	13	14
15	16	17	18	19	20	21
22	23	24	25	26	27	28
29	30					

BP10-07D

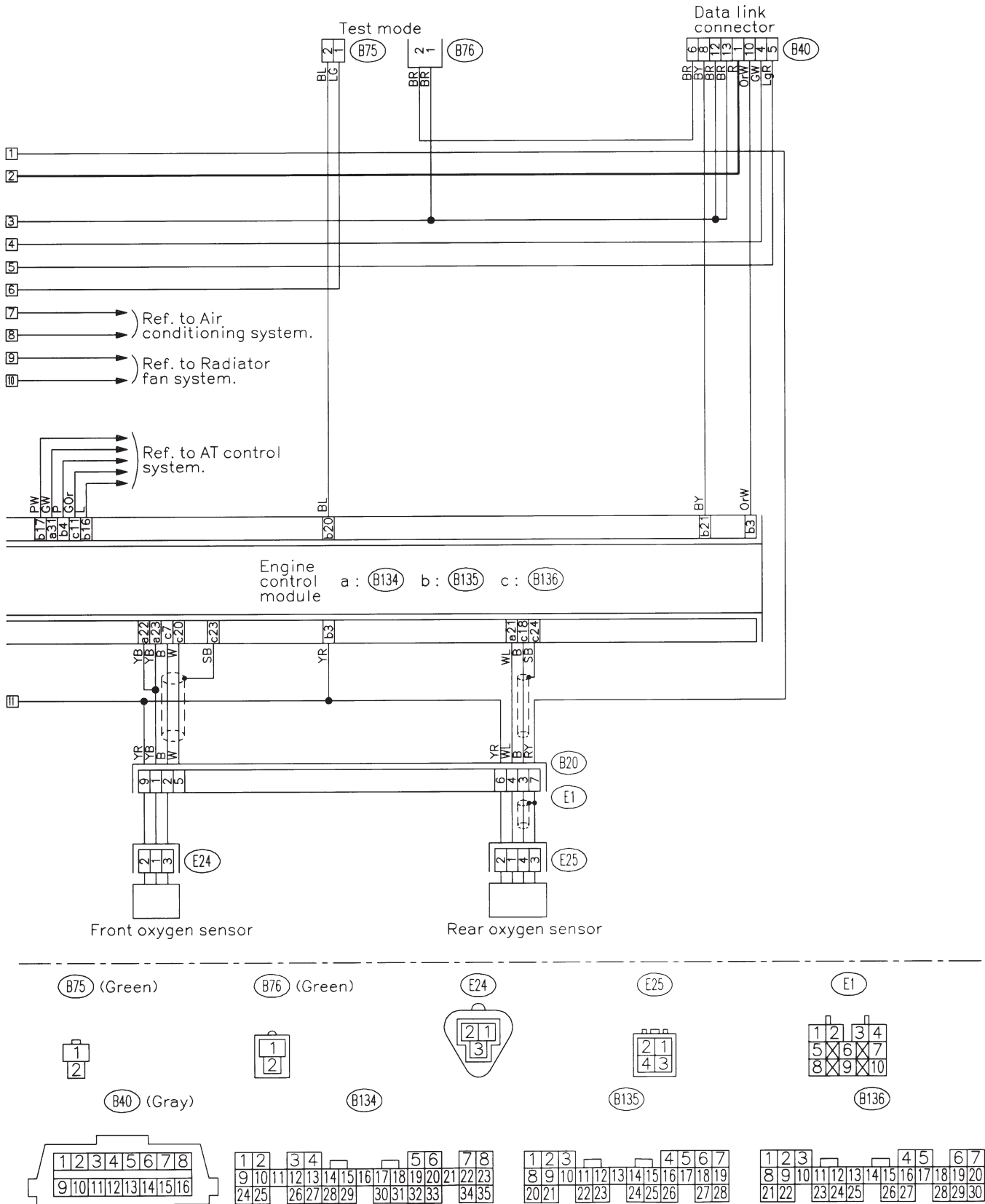
6-3 [D6M5]
6. Wiring Diagram

WIRING DIAGRAM

5. RHD EXCEPT CALIFORNIA MODEL



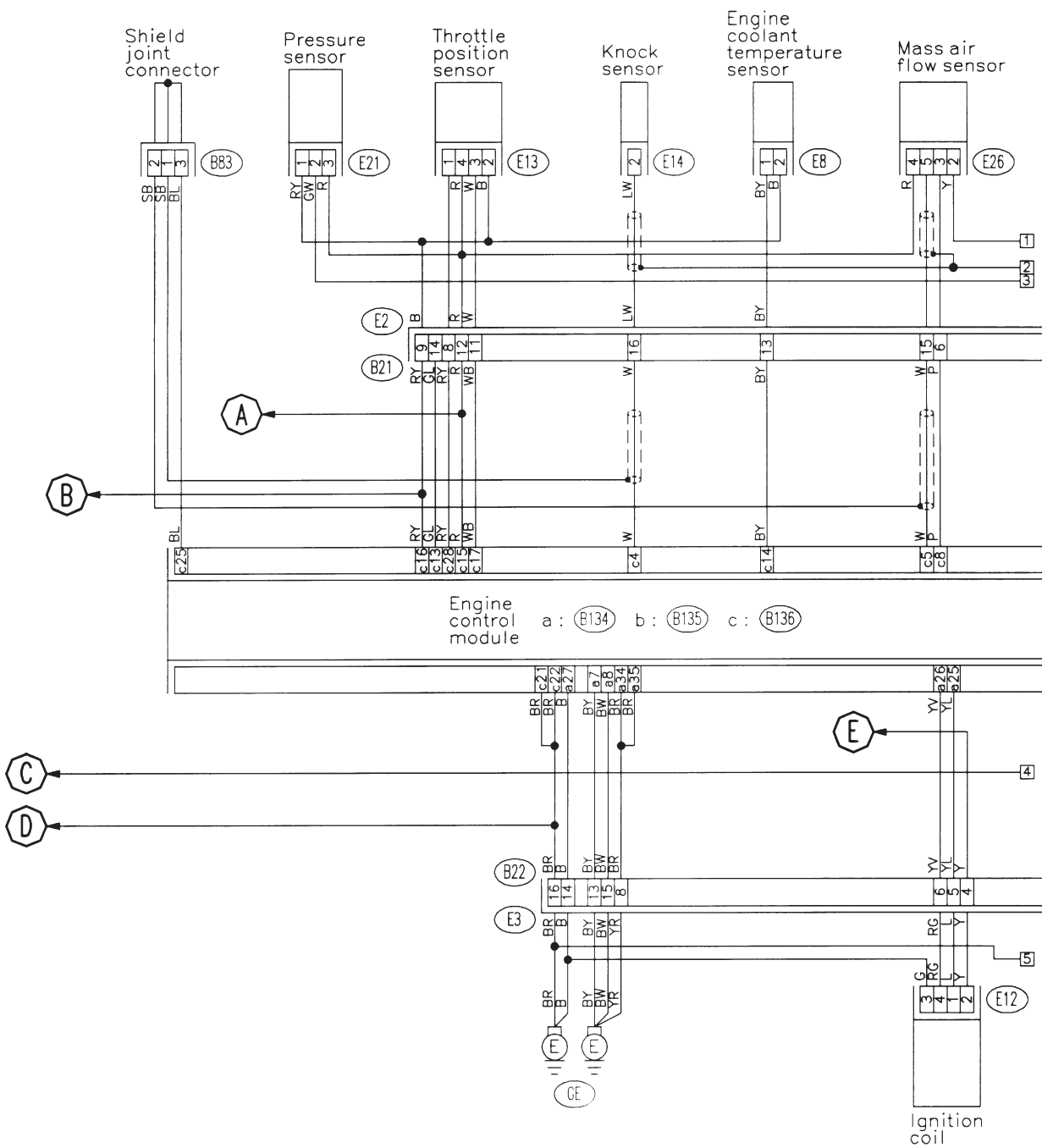
WIRING DIAGRAM



BP10-06B

6-3 [D6M5]
6. Wiring Diagram

WIRING DIAGRAM



(Gray) (E14) (E8) (Brown)

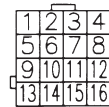
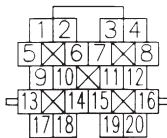
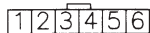
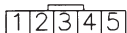
(E21) (Black) (Dark gray) (E12) (E13) (Brown)

(E26) (Gray)

(BB3)

(B21) (Gray)

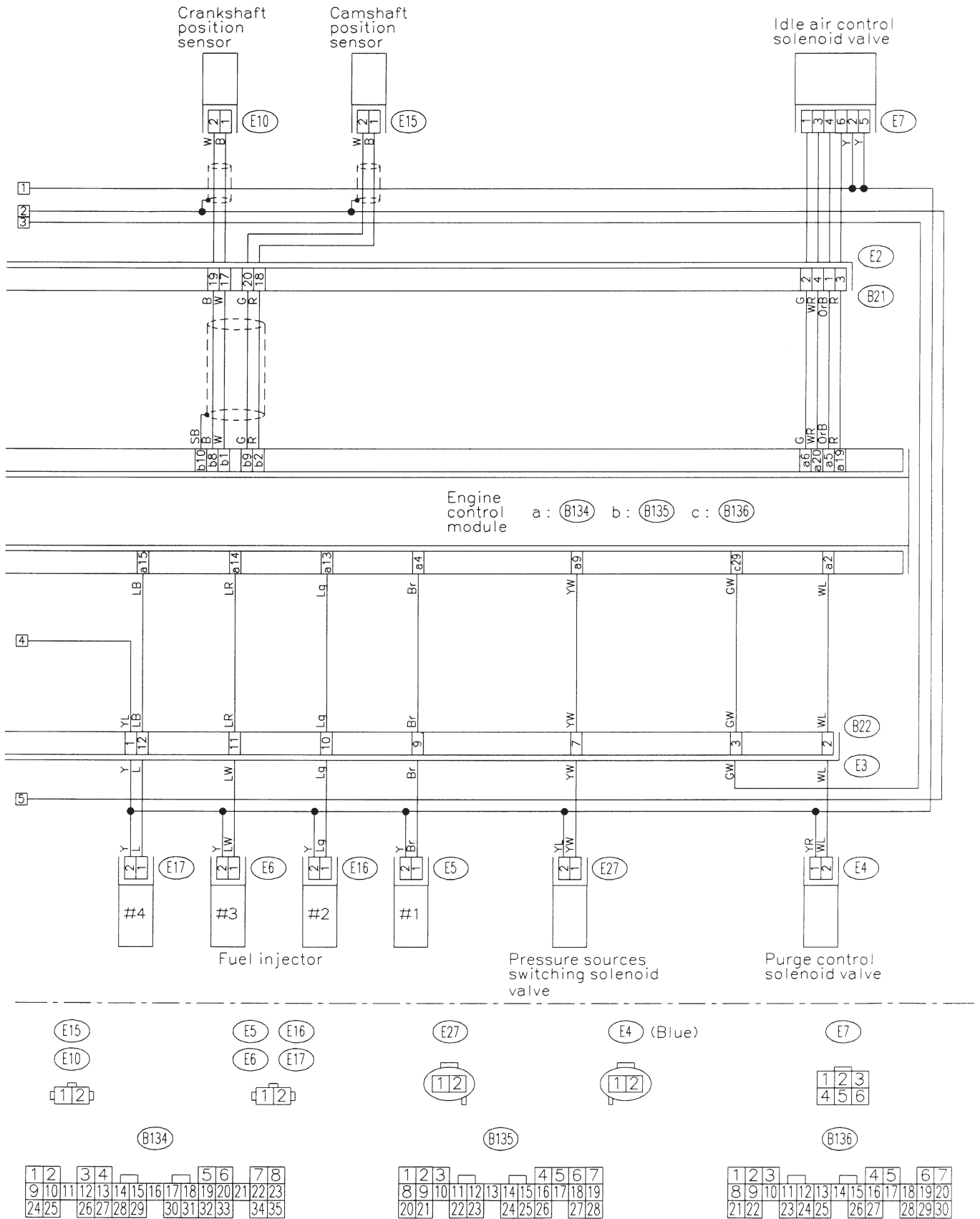
(B22)



BP10-06C

WIRING DIAGRAM

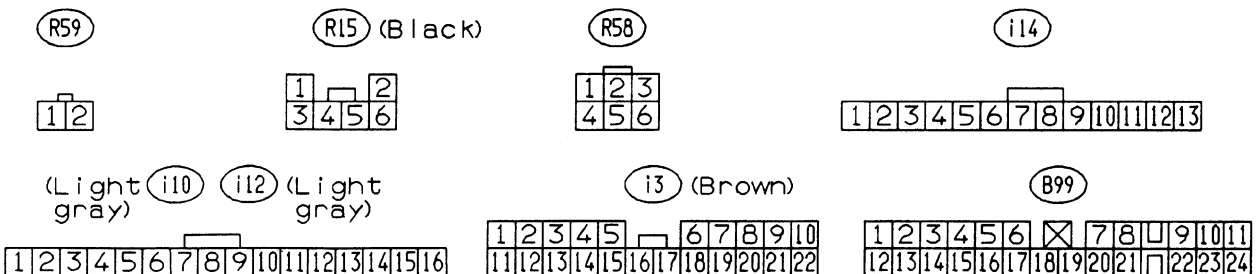
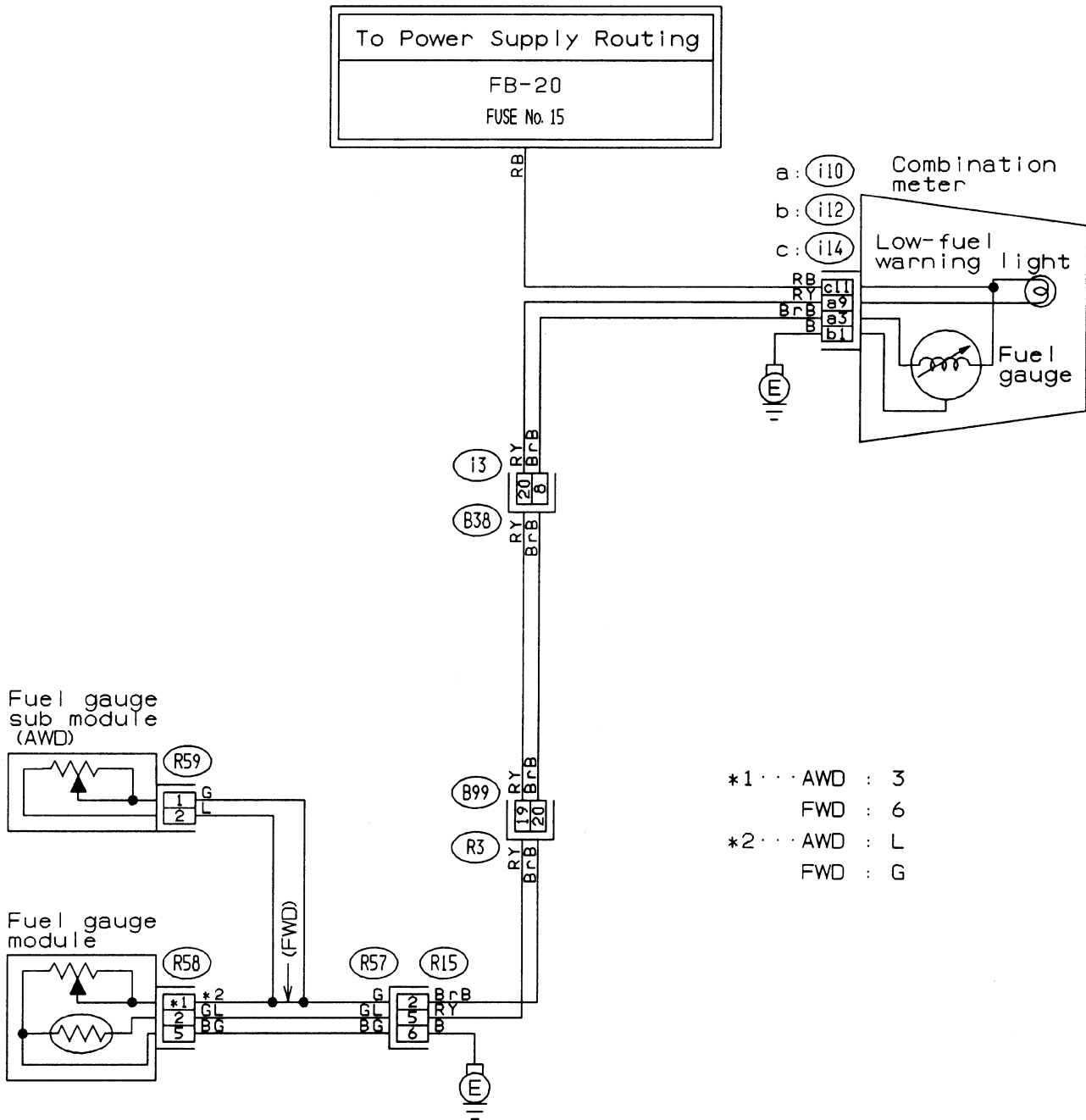
[D6M5] 6-3
6. Wiring Diagram



BP10-06D

N: FUEL GAUGE SYSTEM

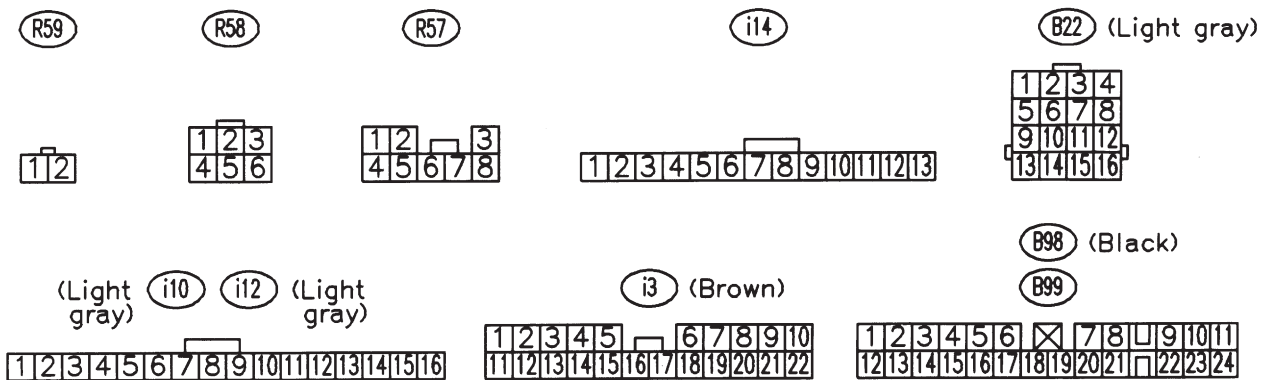
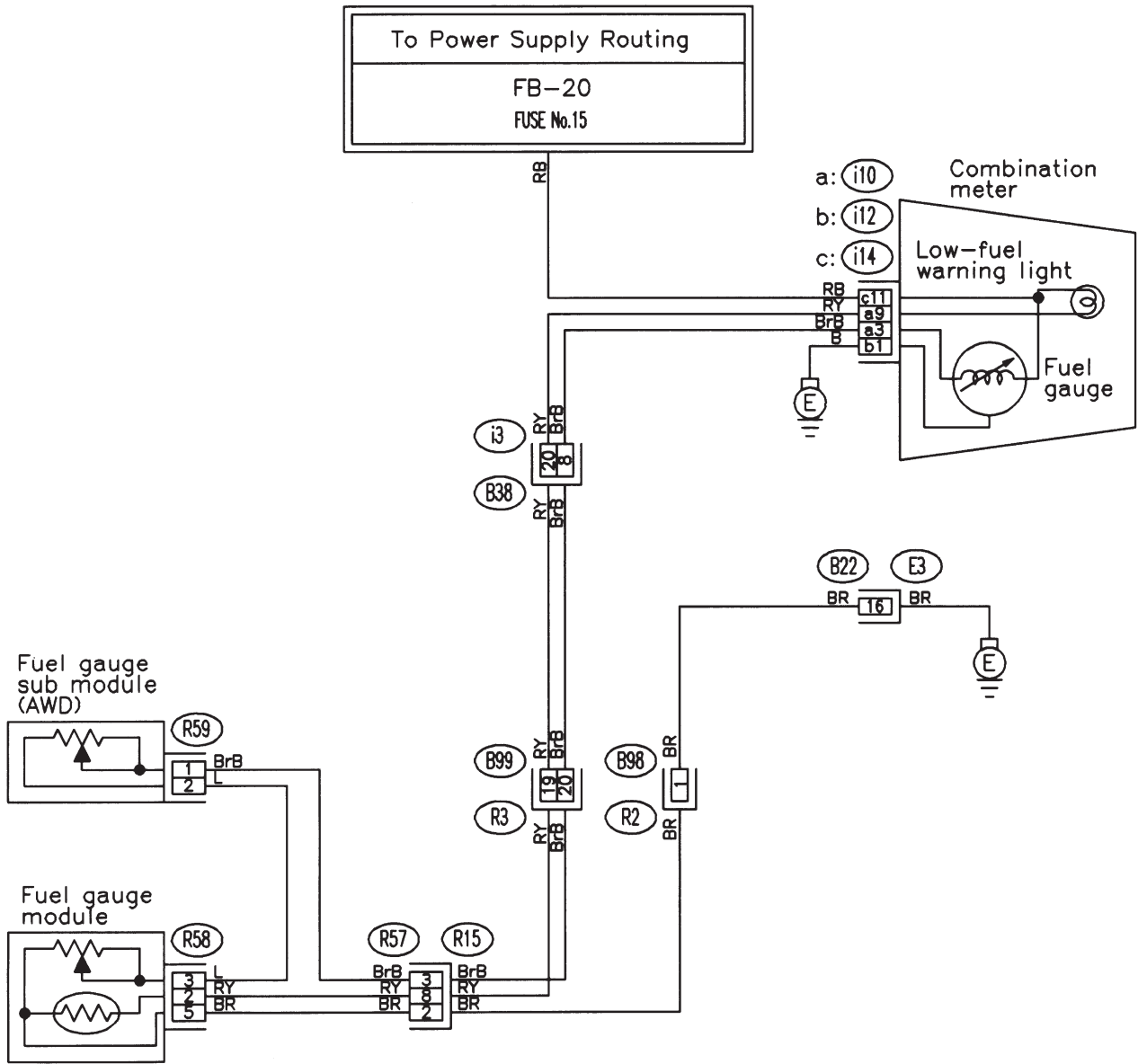
1. TAIWAN MODEL



WIRING DIAGRAM

[D6N2] **6-3**
6. Wiring Diagram

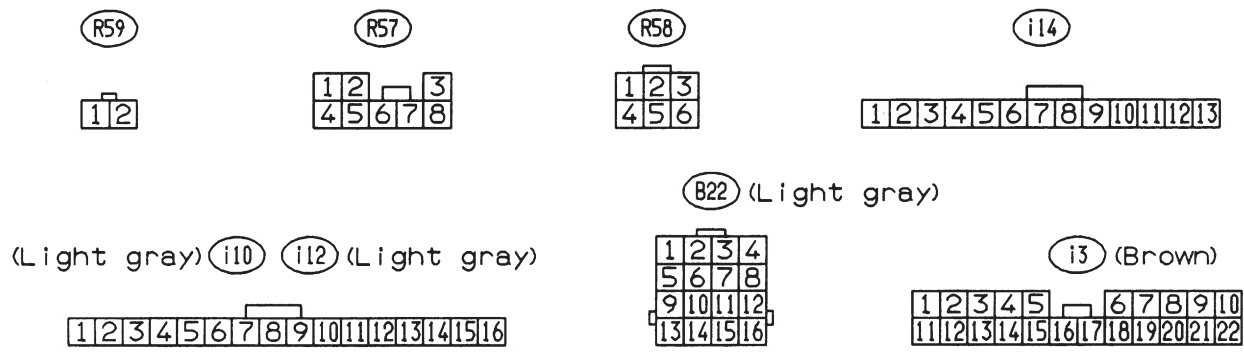
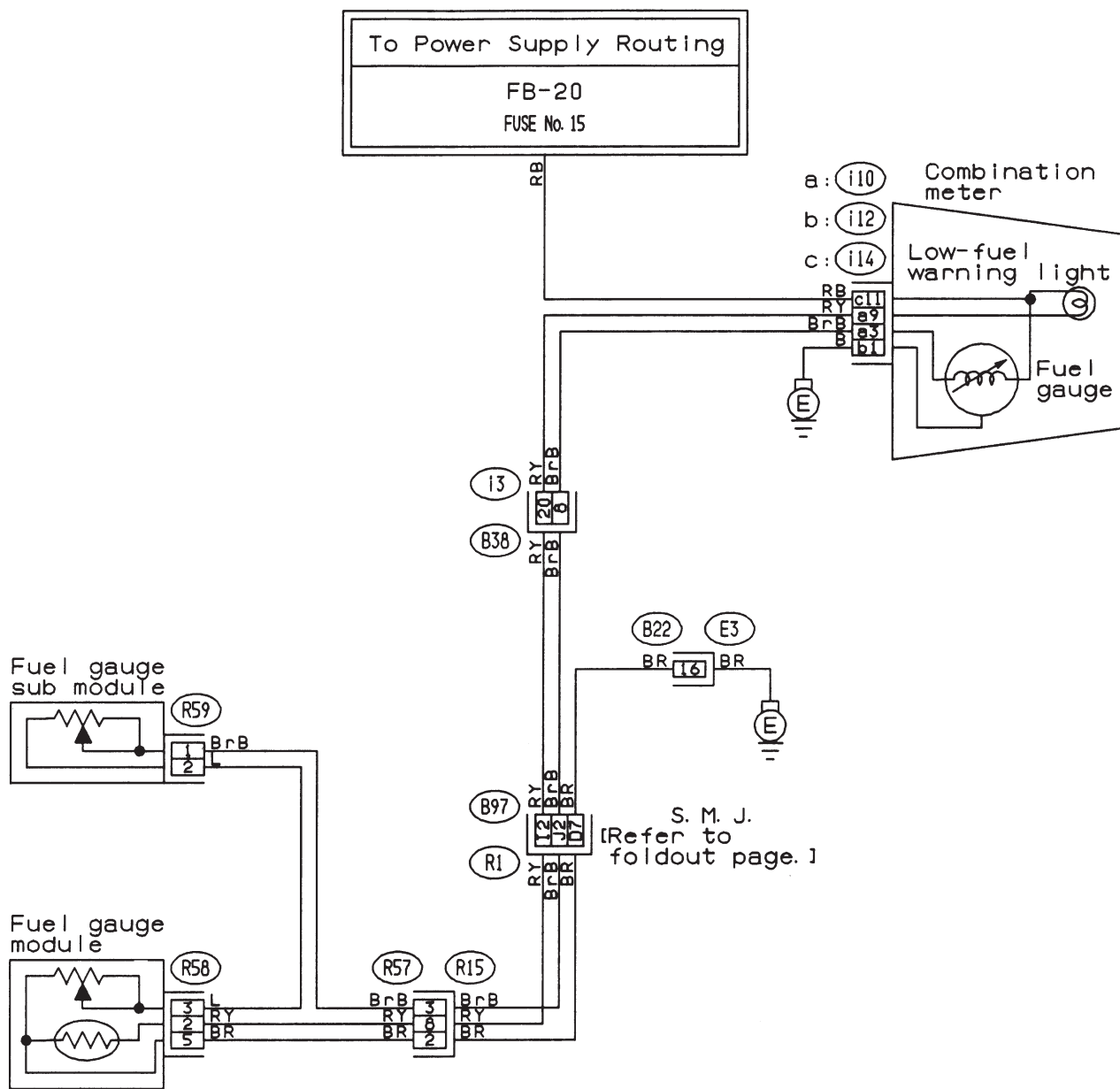
2. LHD EXCEPT TAIWAN MODEL



BU61-02

WIRING DIAGRAM

3. RHD MODEL



BUR61-02

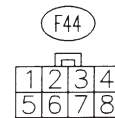
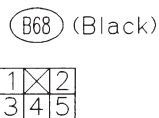
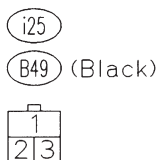
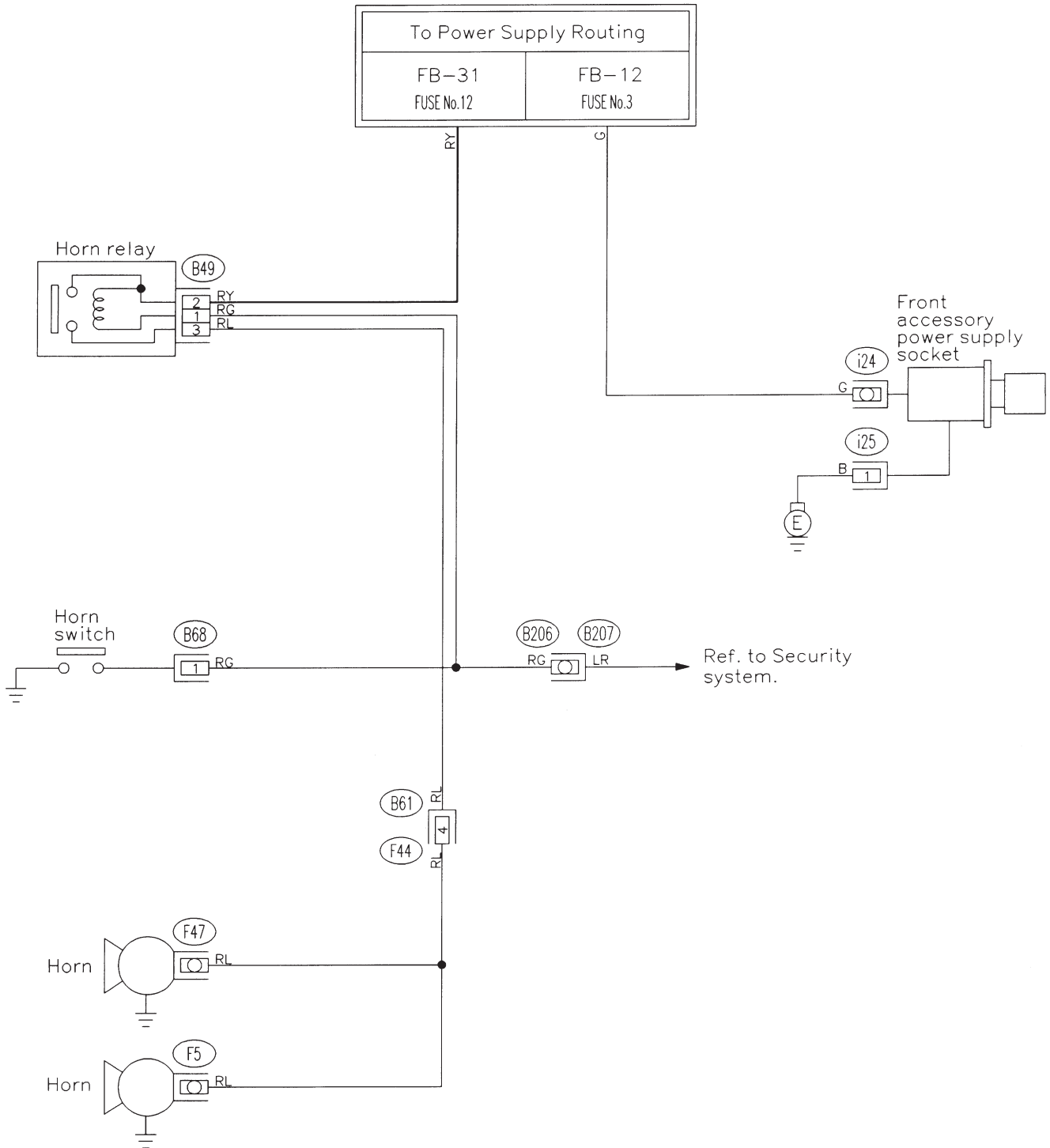
WIRING DIAGRAM

[D6N3] 6-3
6. Wiring Diagram

MEMO:

O: HORN AND FRONT ACCESSORY POWER SUPPLY SYSTEM

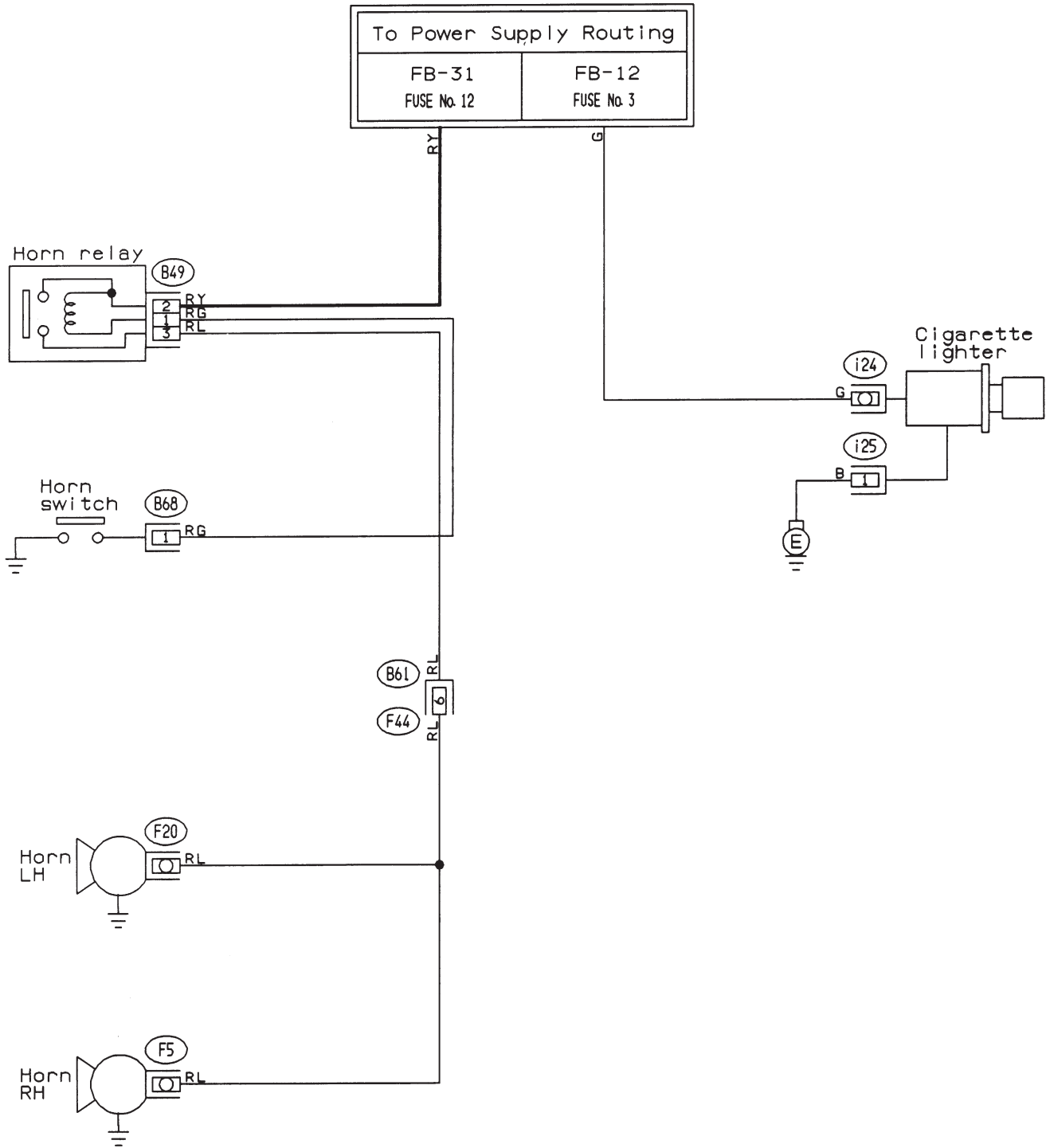
1. LHD MODEL



WIRING DIAGRAM

[D602] **6-3**
6. Wiring Diagram

2. RHD MODEL



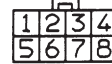
(i25) (B49) (Black)



(B68) (Black)



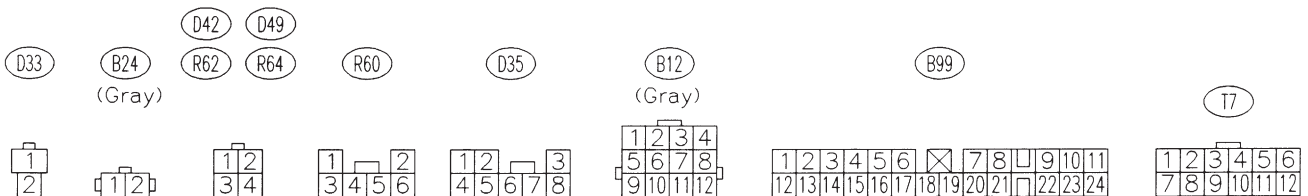
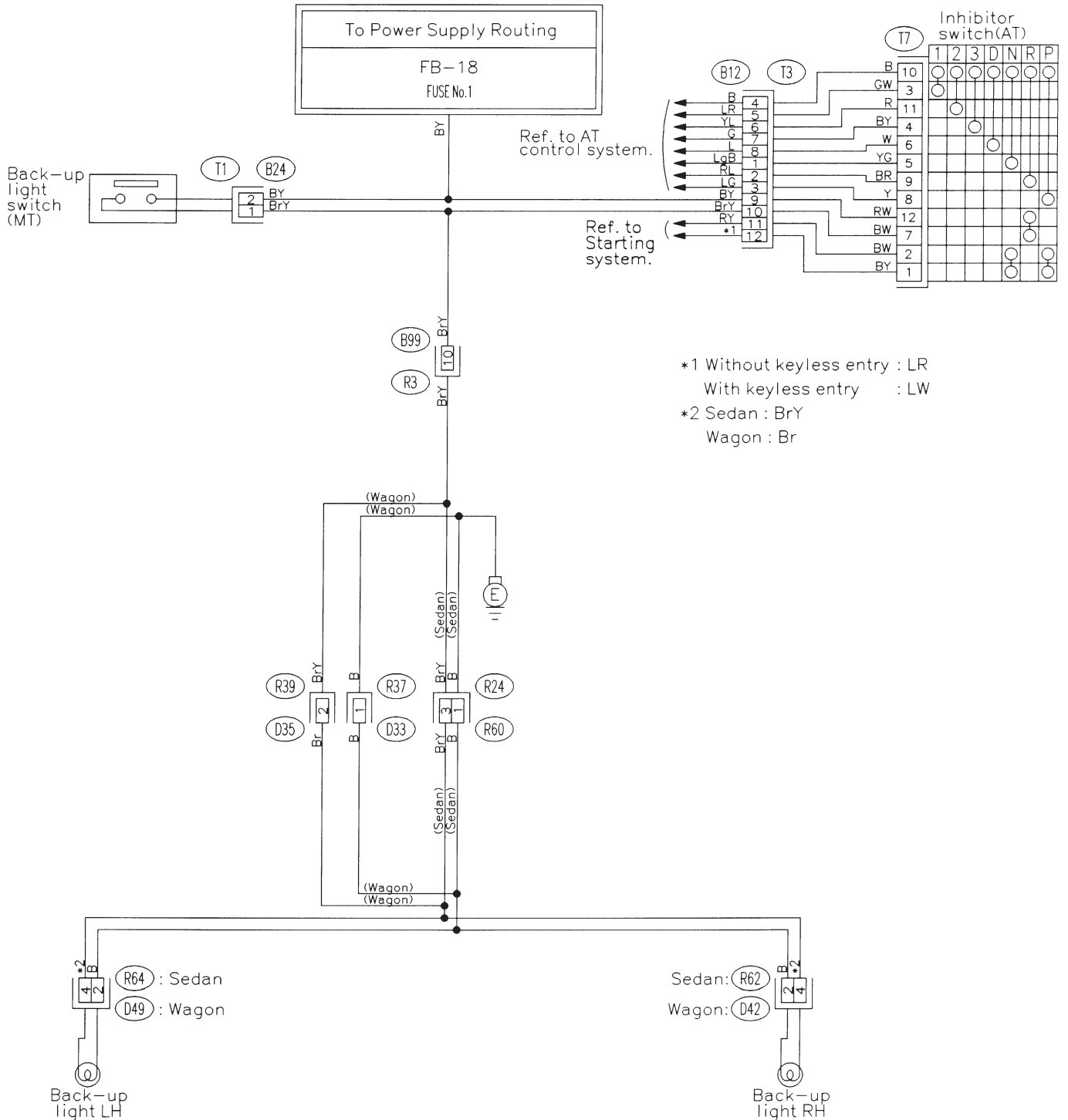
(F44)



BUR74-01

P: LIGHTING SYSTEM (BACK-UP LIGHT)

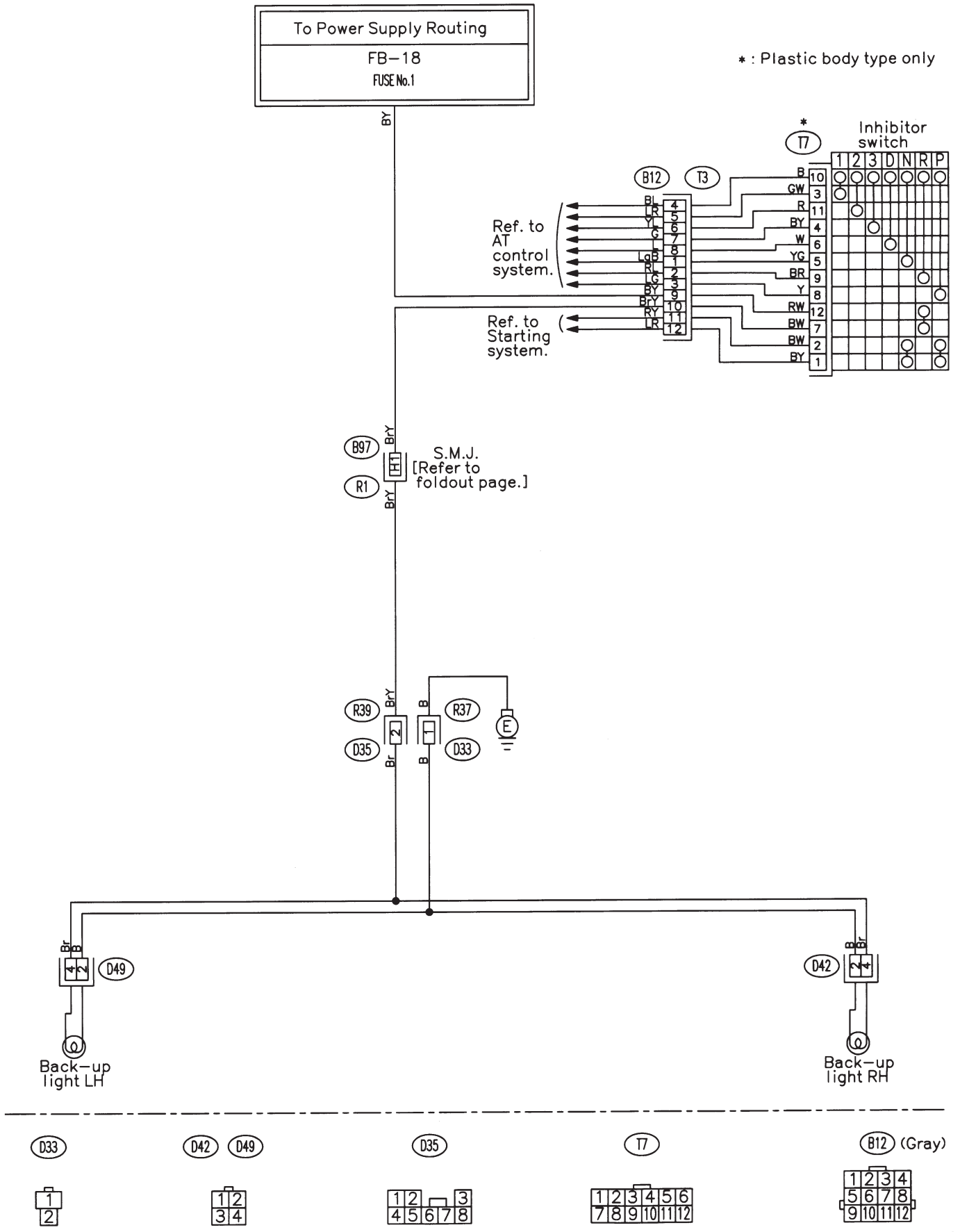
1. LHD MODEL



WIRING DIAGRAM

2. RHD MODEL

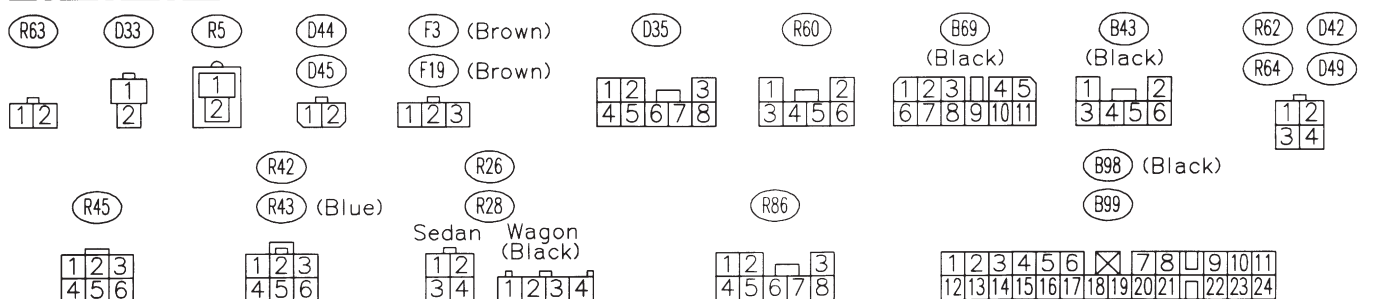
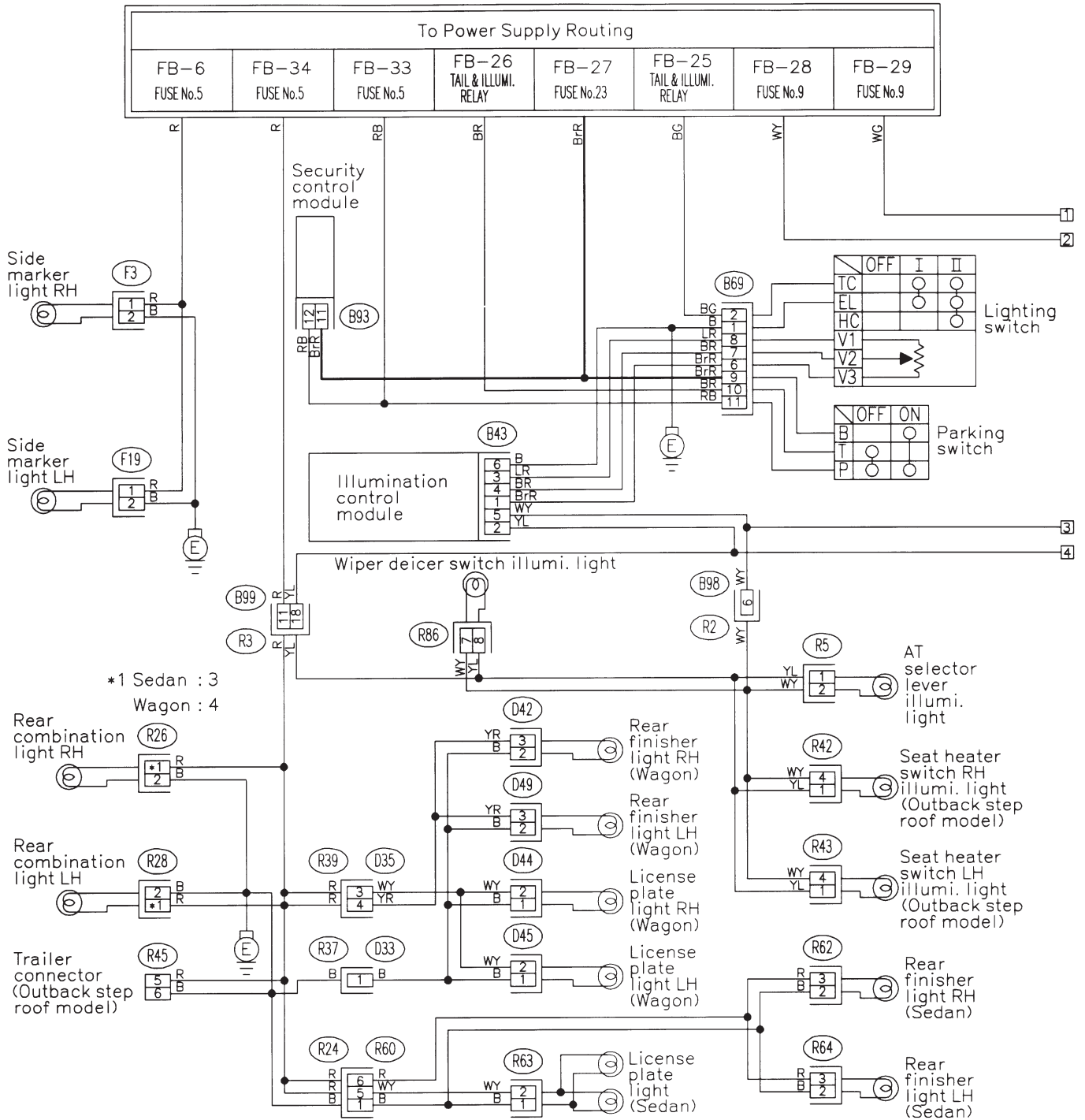
* : Plastic body type only



WIRING DIAGRAM

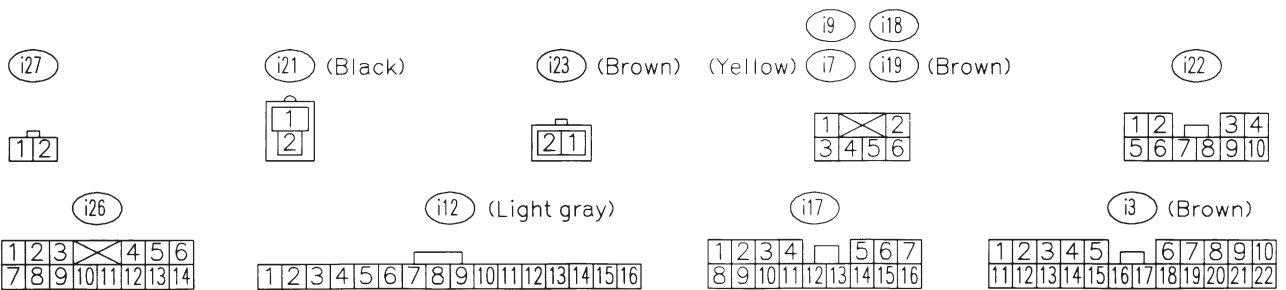
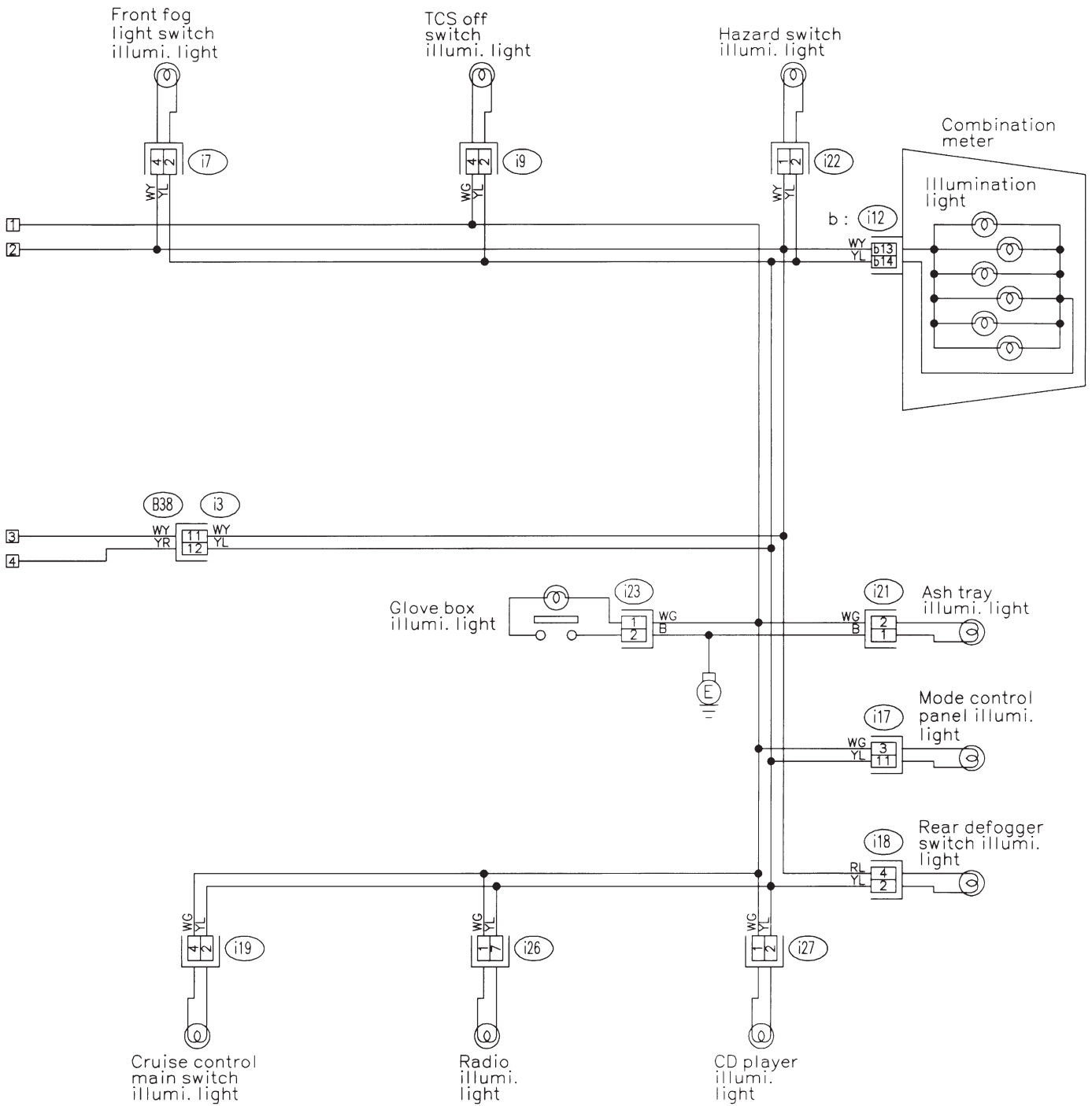
Q: LIGHTING SYSTEM (CLEARANCE LIGHT AND ILLUMINATION LIGHT)

1. LHD MODEL



WIRING DIAGRAM

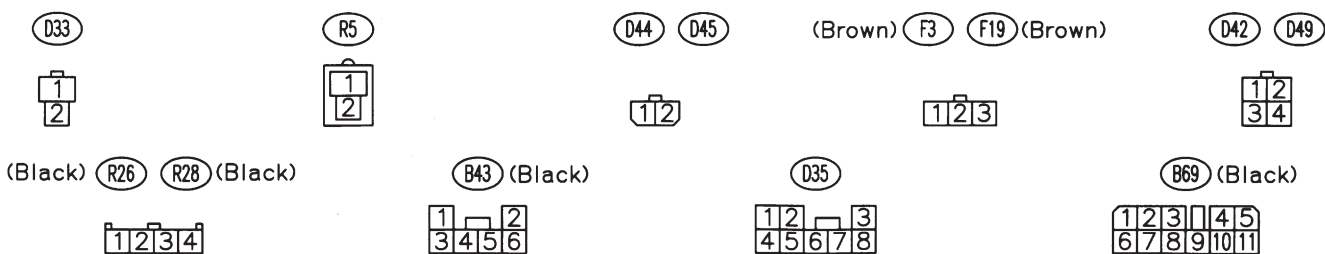
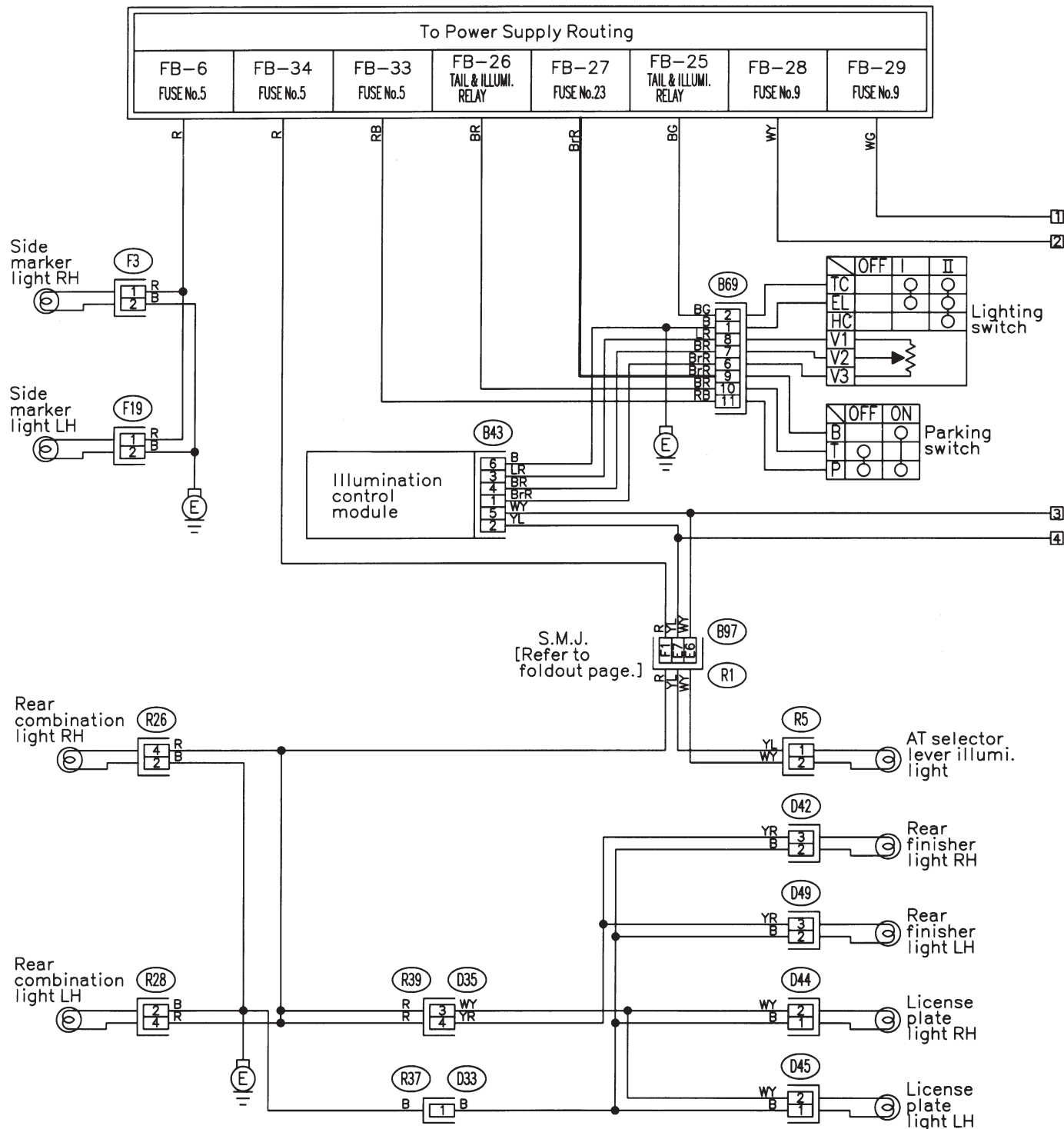
[D6Q1] 6-3
6. Wiring Diagram



BU21-06B

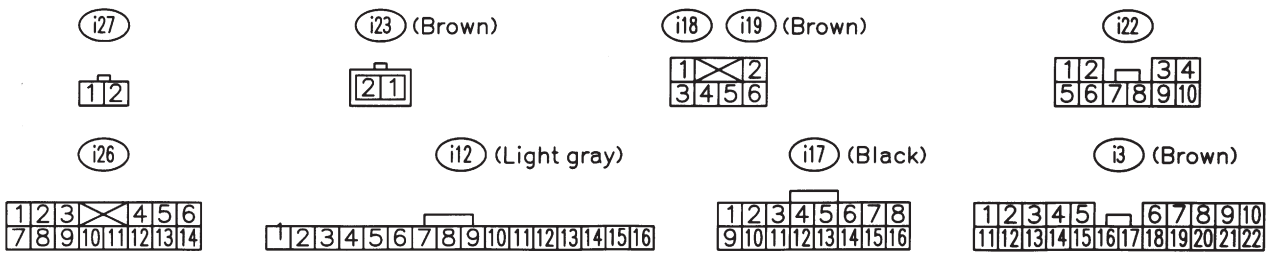
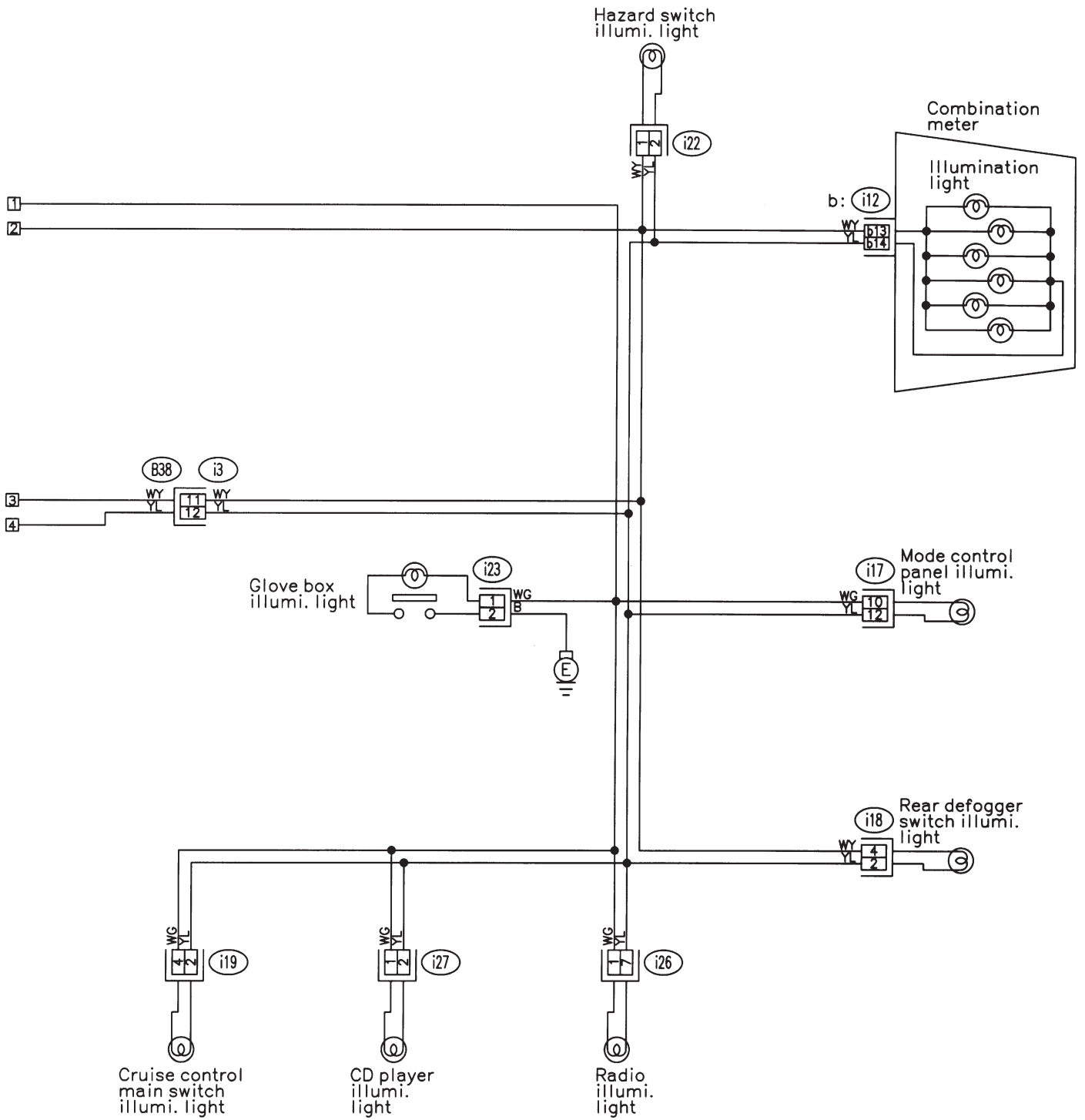
WIRING DIAGRAM

2. RHD MODEL



WIRING DIAGRAM

[D6Q2] 6-3
6. Wiring Diagram

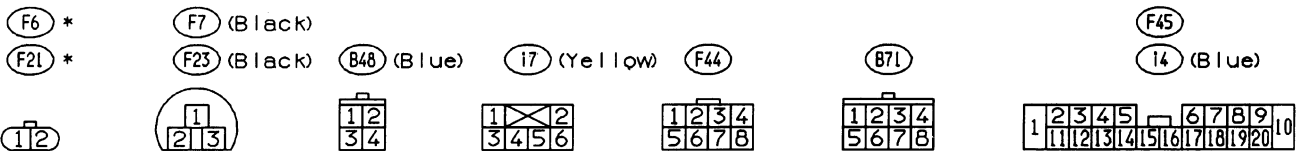
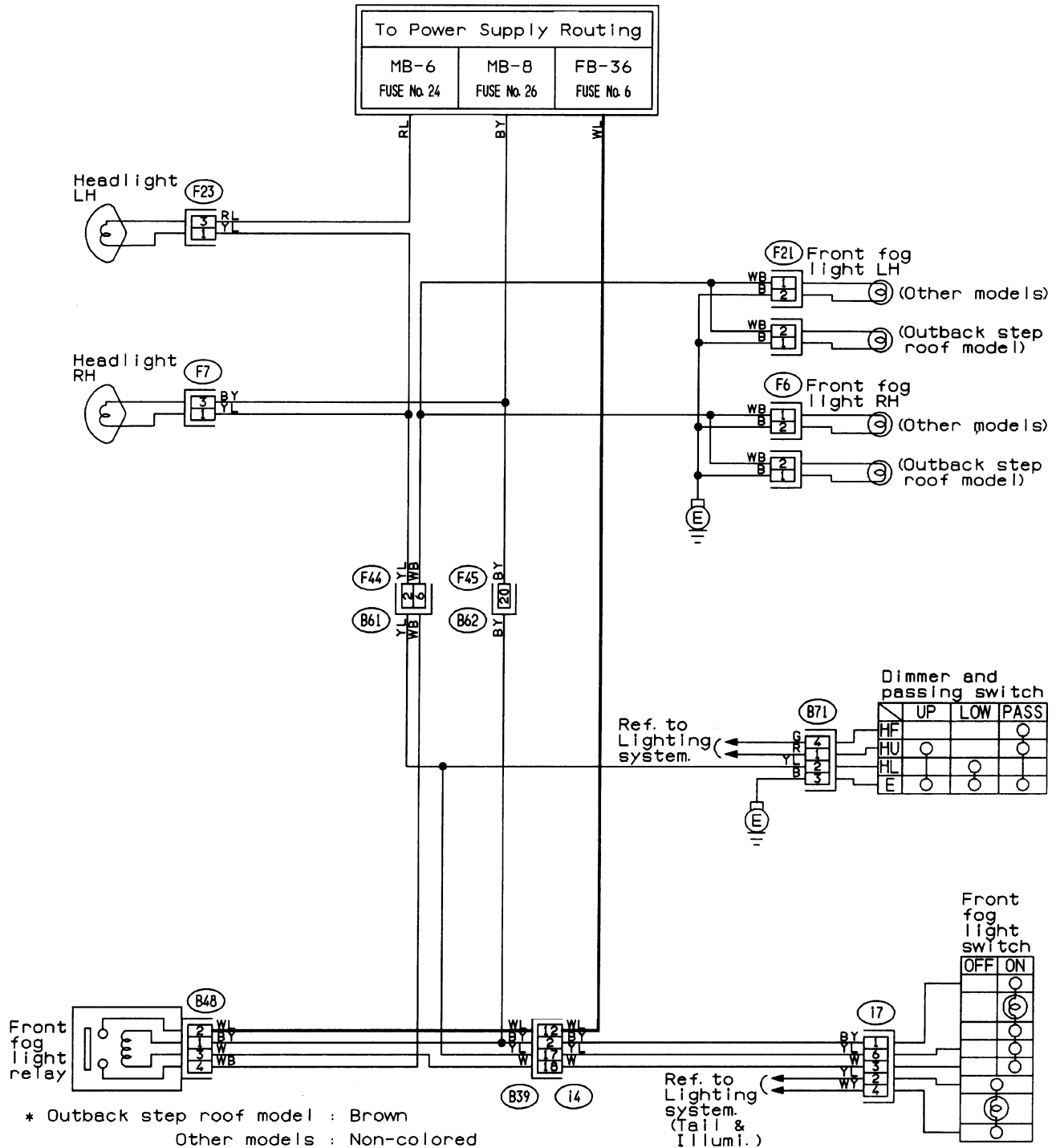


BUR21-02B

WIRING DIAGRAM

R: LIGHTING SYSTEM (FRONT FOG LIGHT)

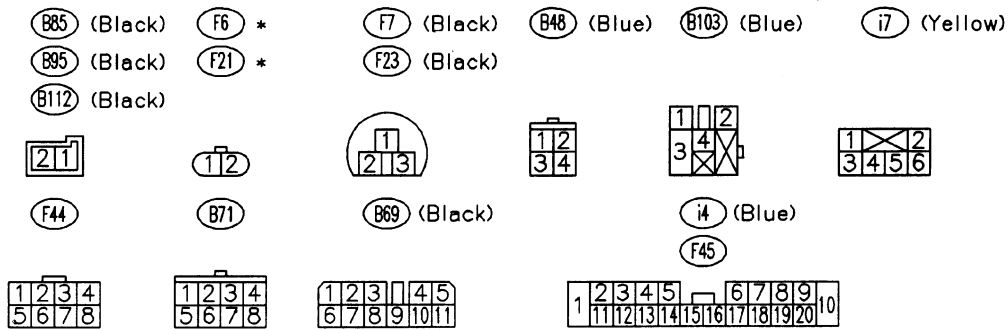
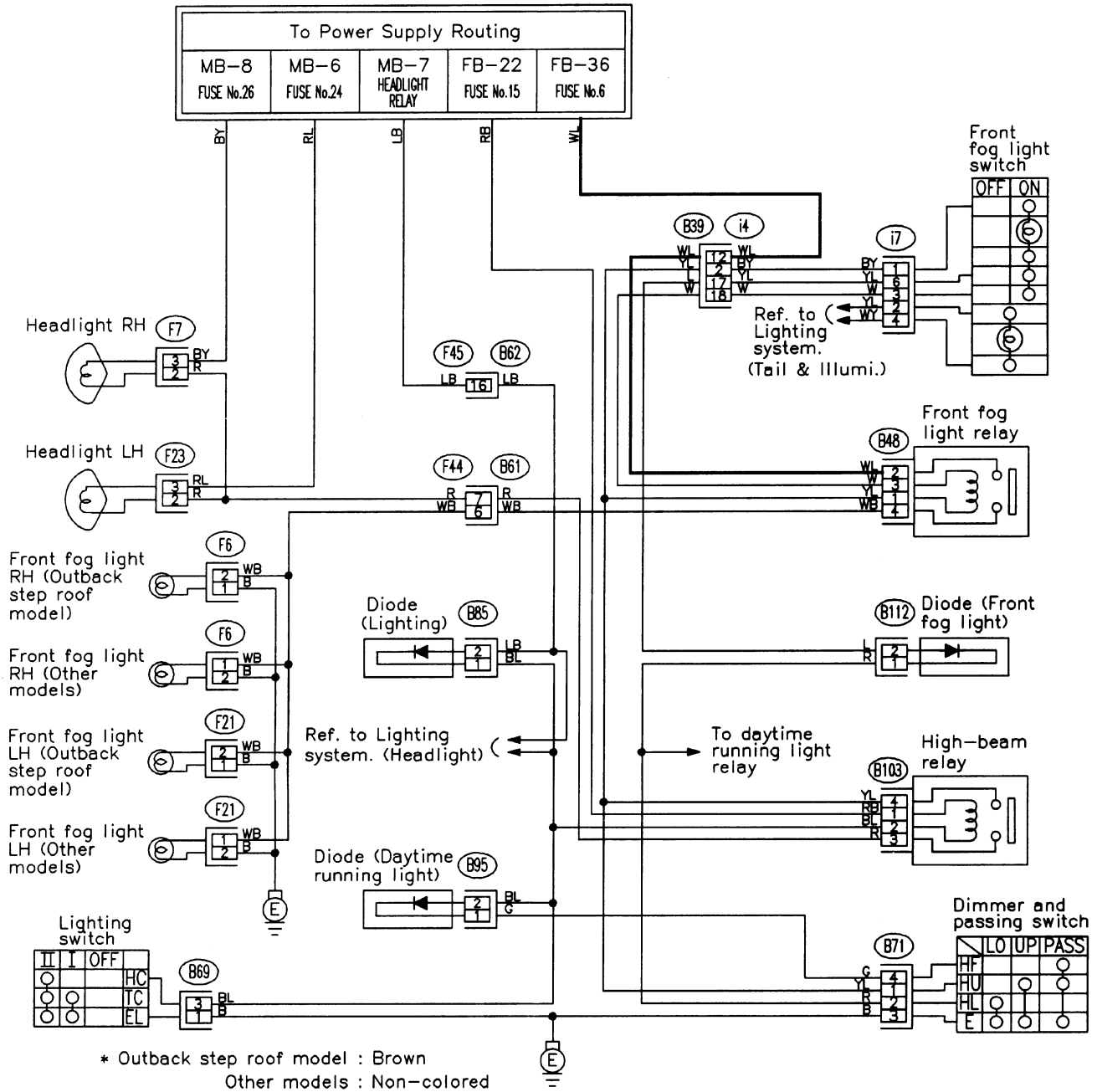
1. WITHOUT DRL MODEL



WIRING DIAGRAM

[D6R2] **6-3**
6. Wiring Diagram

2. WITH DRL MODEL



BC22-02

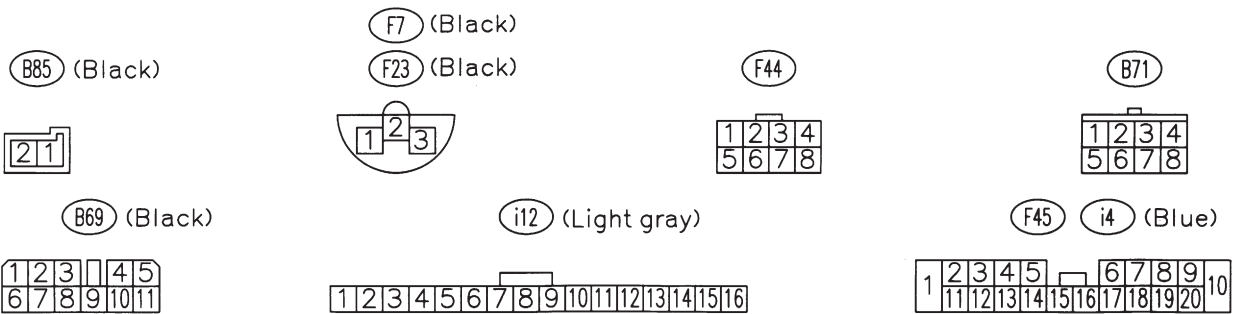
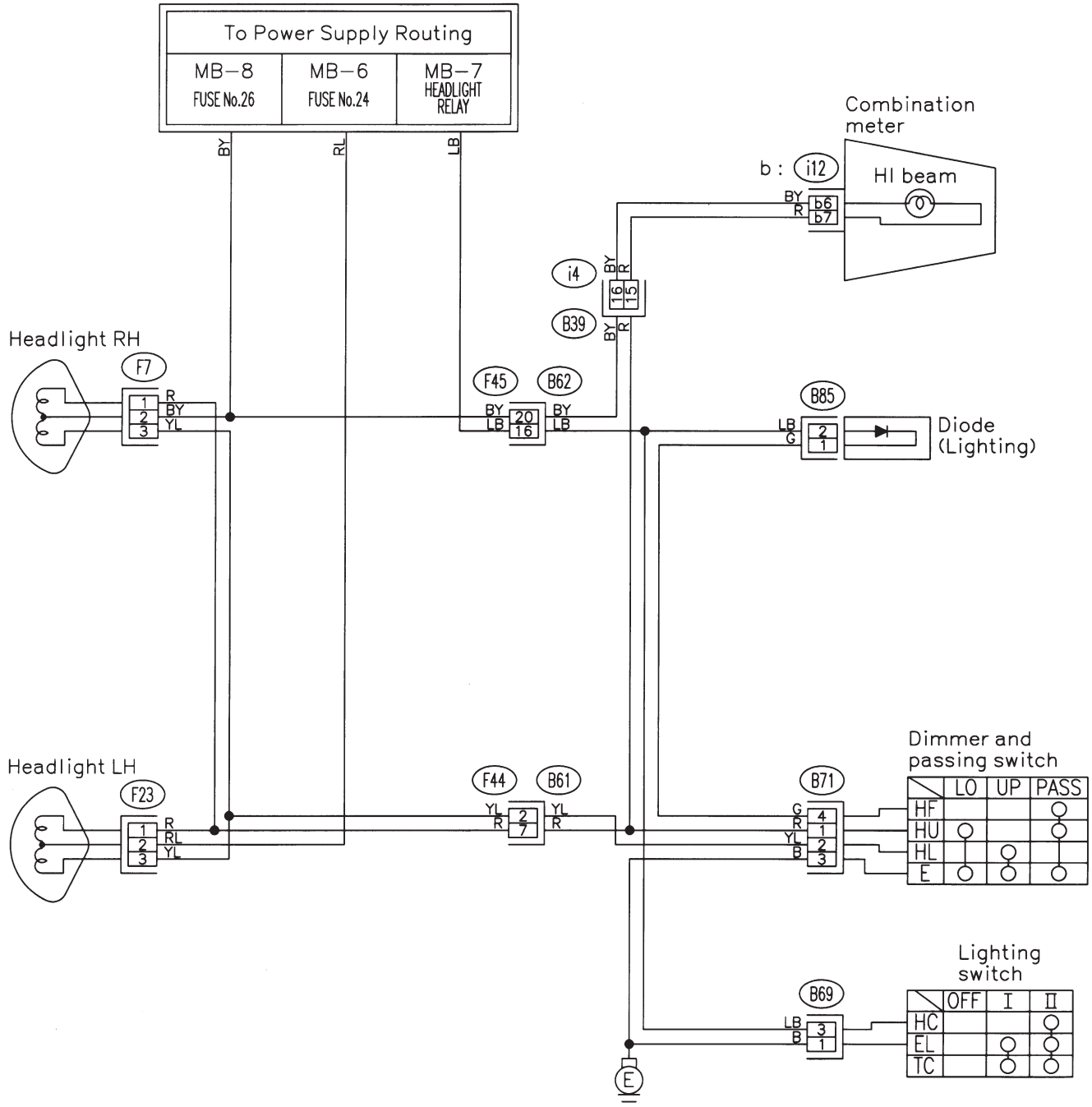
MEMO:

WIRING DIAGRAM

[D6S1] **6-3**
6. Wiring Diagram

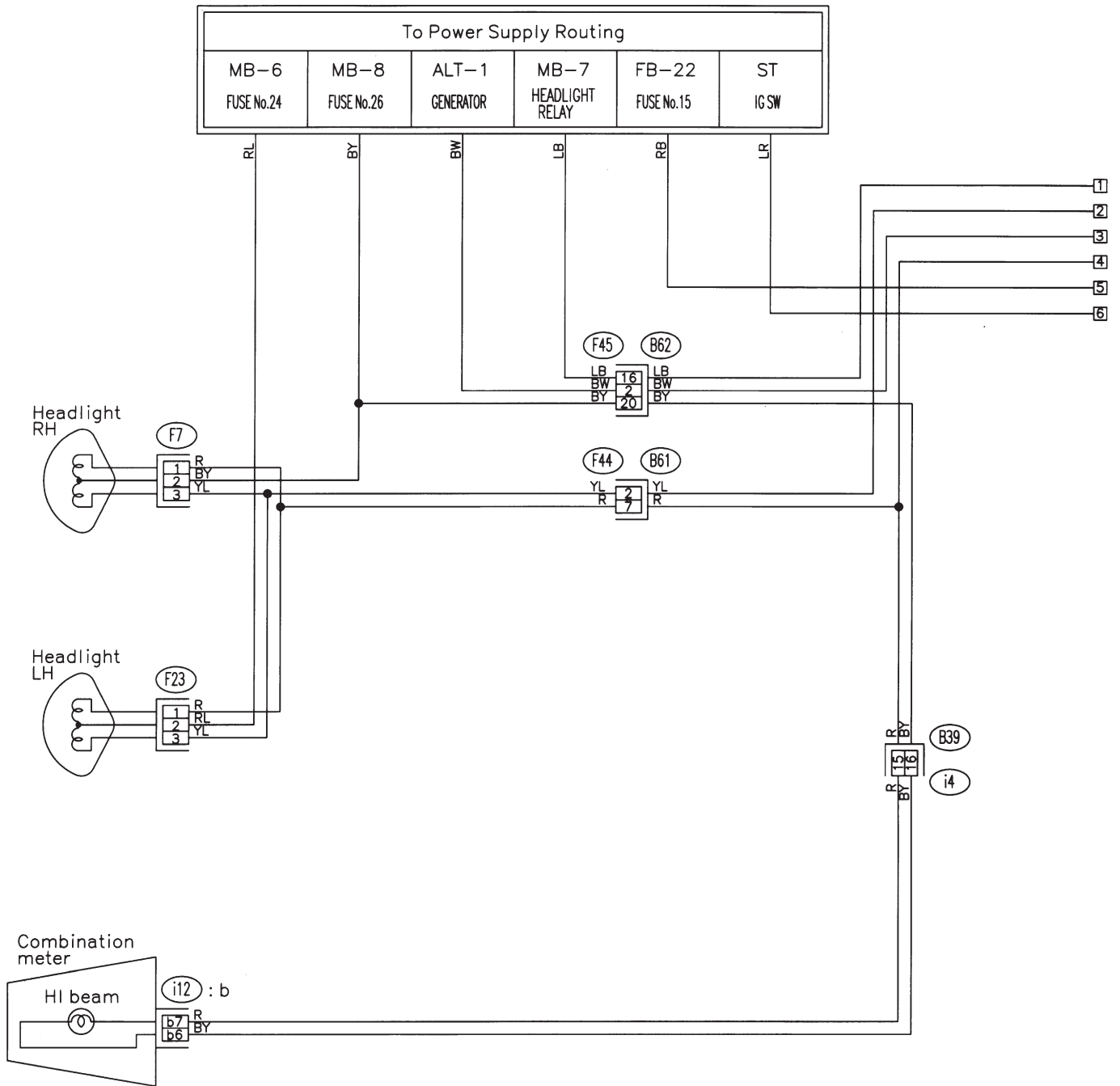
S: LIGHTING SYSTEM (HEADLIGHT)

1. WITHOUT DRL (LHD) MODEL



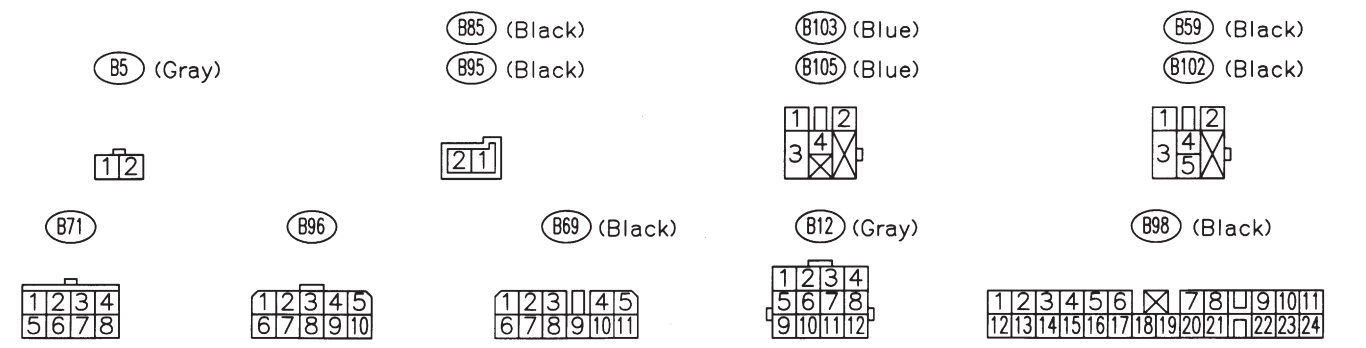
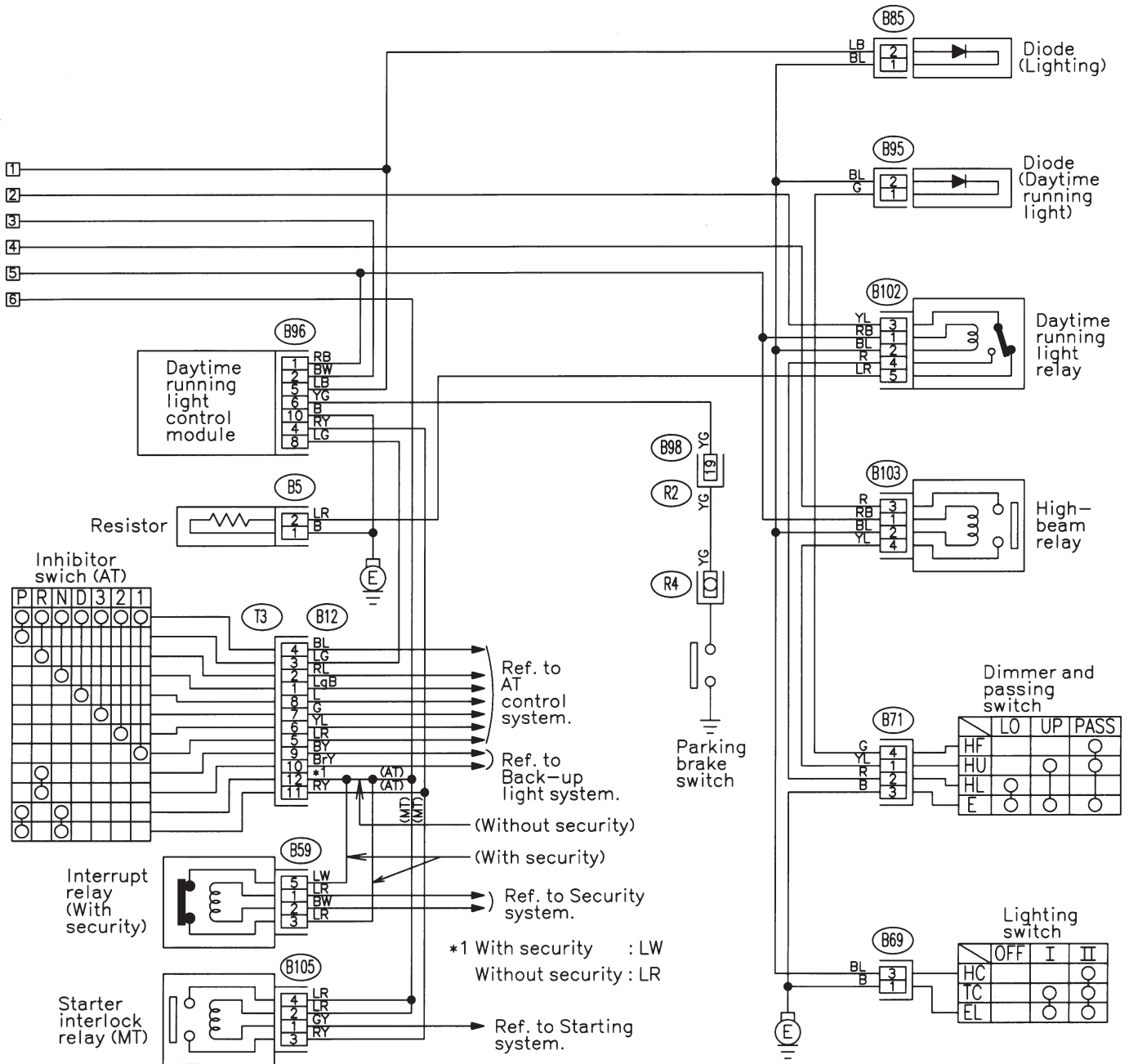
BU20-02

2. WITH DRL (LHD) MODEL



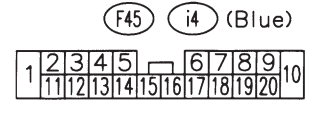
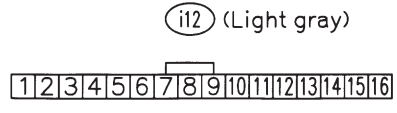
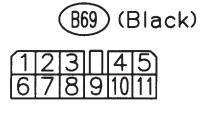
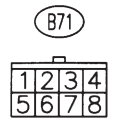
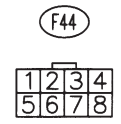
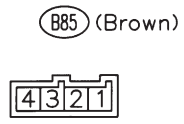
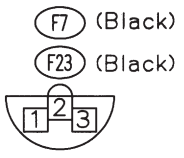
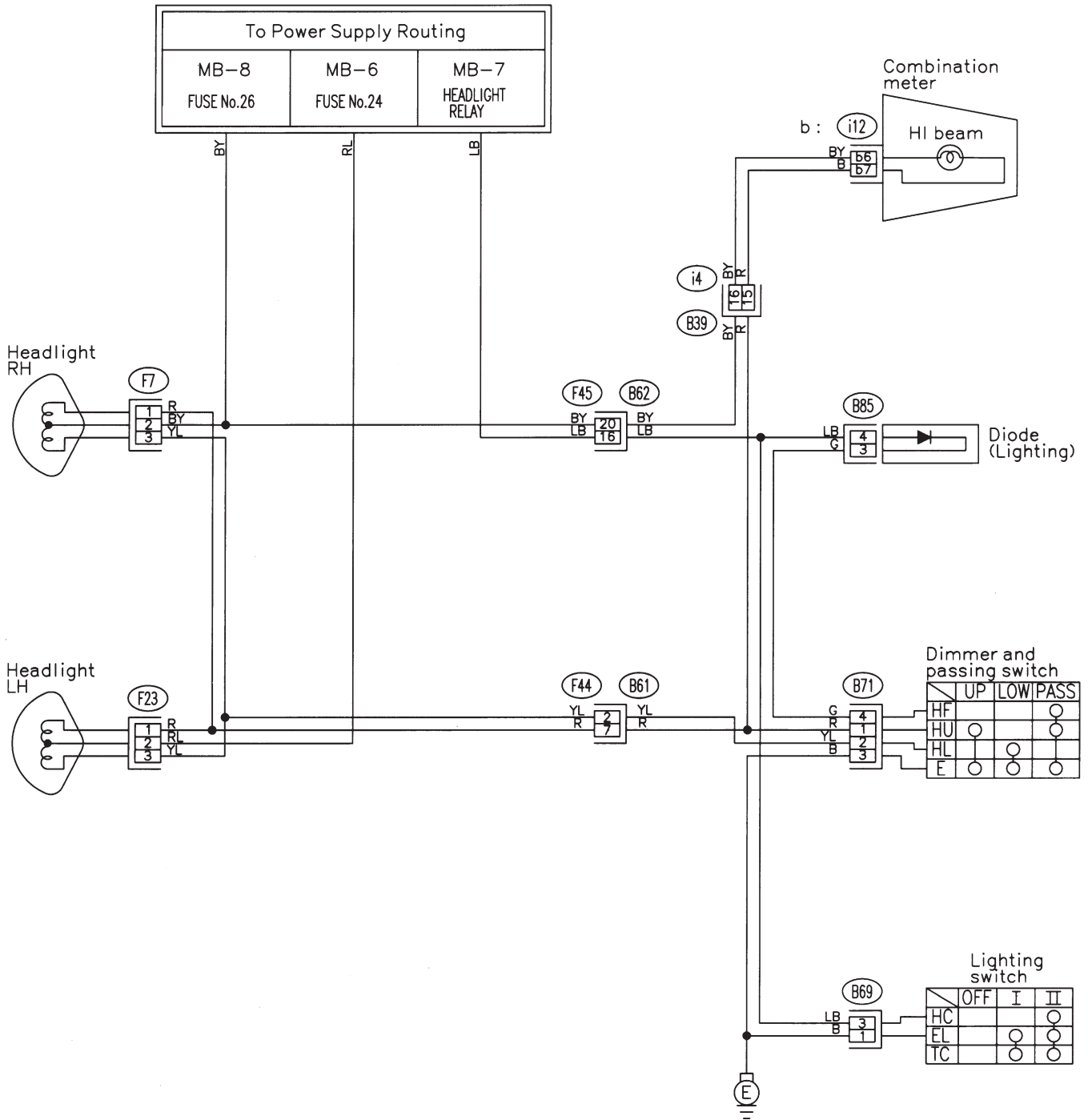
WIRING DIAGRAM

[D6S2] 6-3
6. Wiring Diagram



BC20-03B

3. RHD MODEL



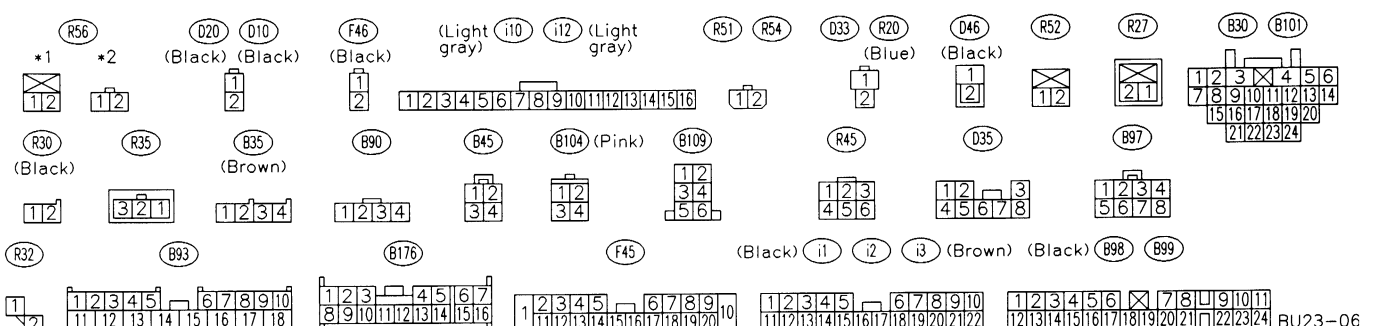
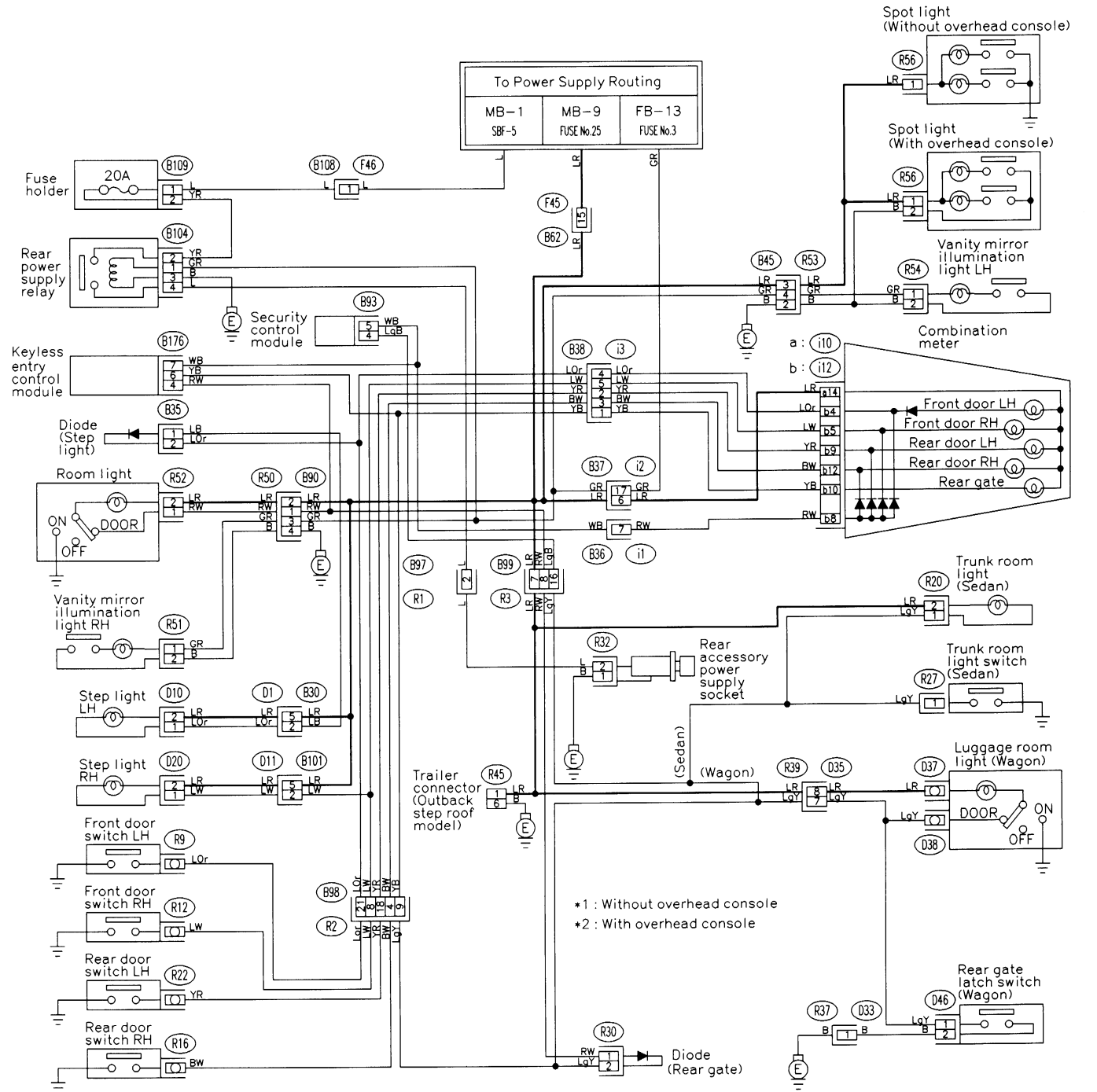
MEMO:

6-3 [D6T1]
6. Wiring Diagram

WIRING DIAGRAM

T: LIGHTING SYSTEM (IN COMPARTMENT)

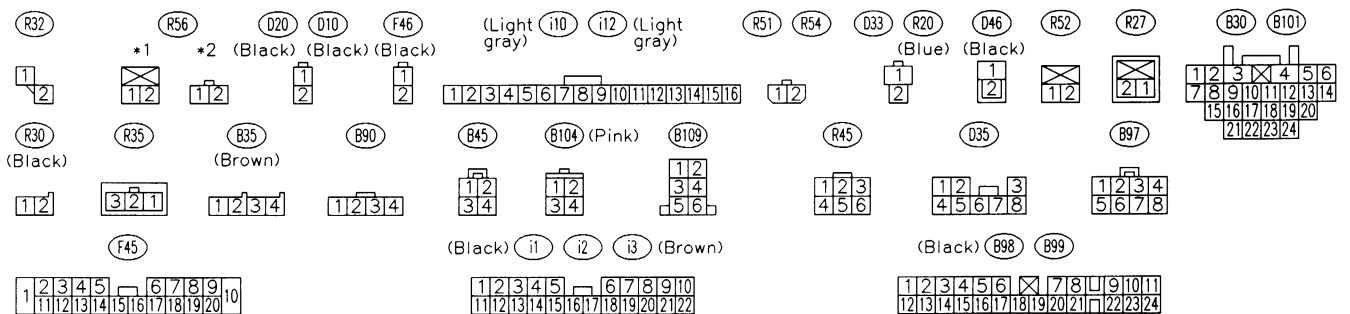
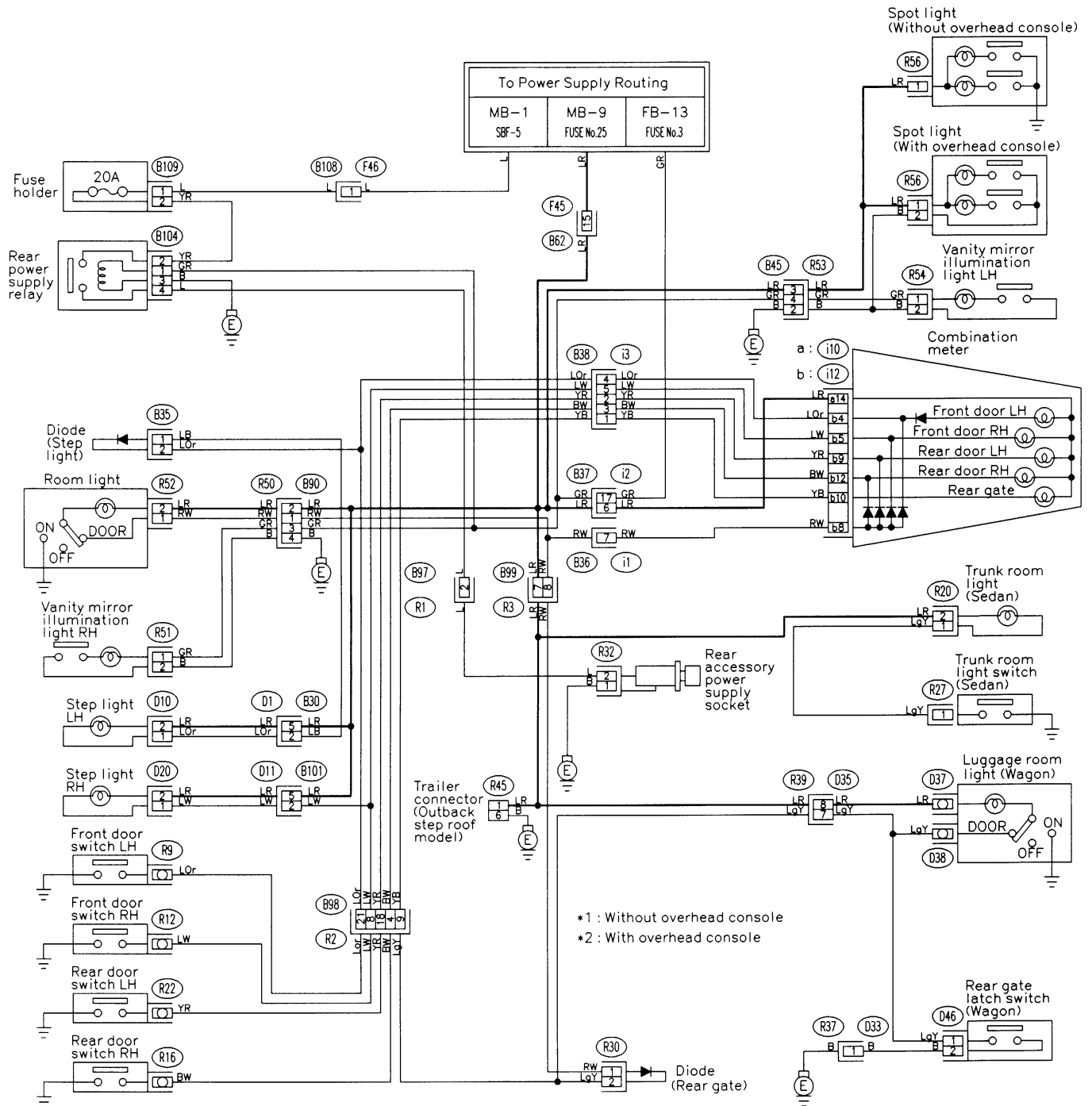
1. LHD WITH KEYLESS ENTRY MODEL



WIRING DIAGRAM

[D6T2] **6-3**
6. Wiring Diagram

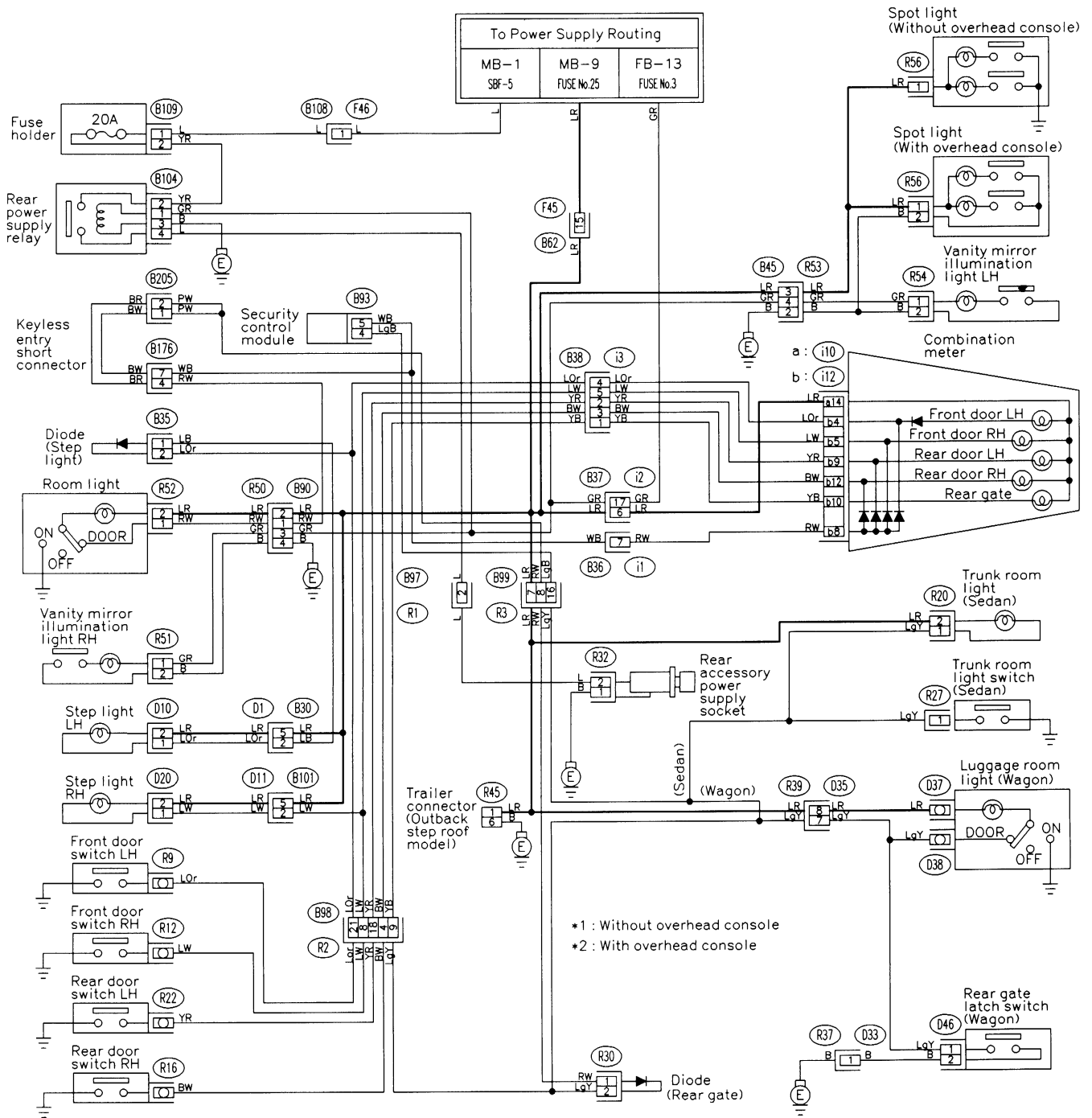
2. LHD WITHOUT KEYLESS ENTRY MODEL



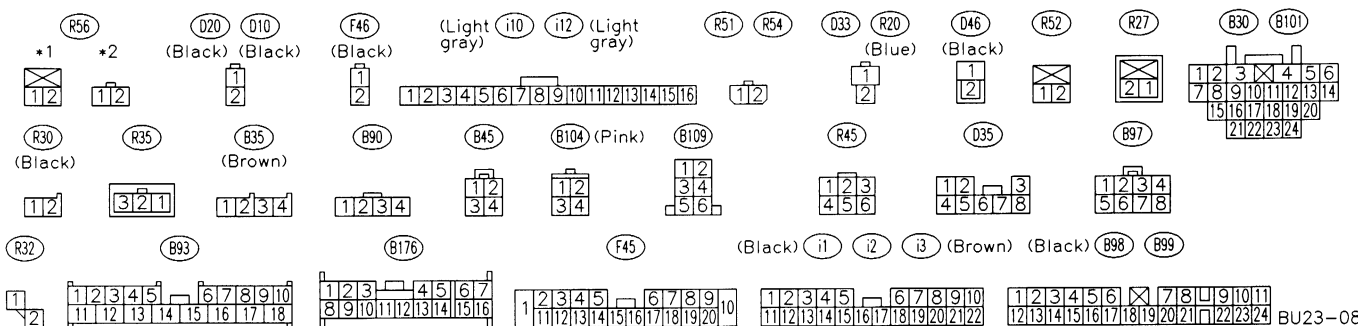
6-3 [D6T3]
6. Wiring Diagram

WIRING DIAGRAM

3. LHD L. MODEL (FOR USA AND CANADA)



*1 : Without overhead console
 *2 : With overhead console

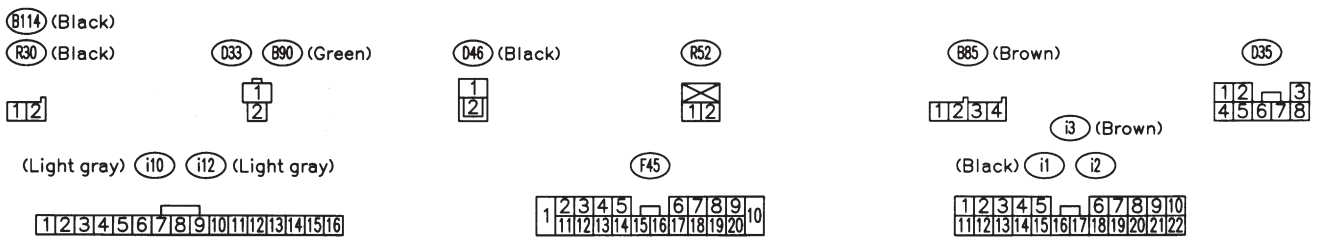
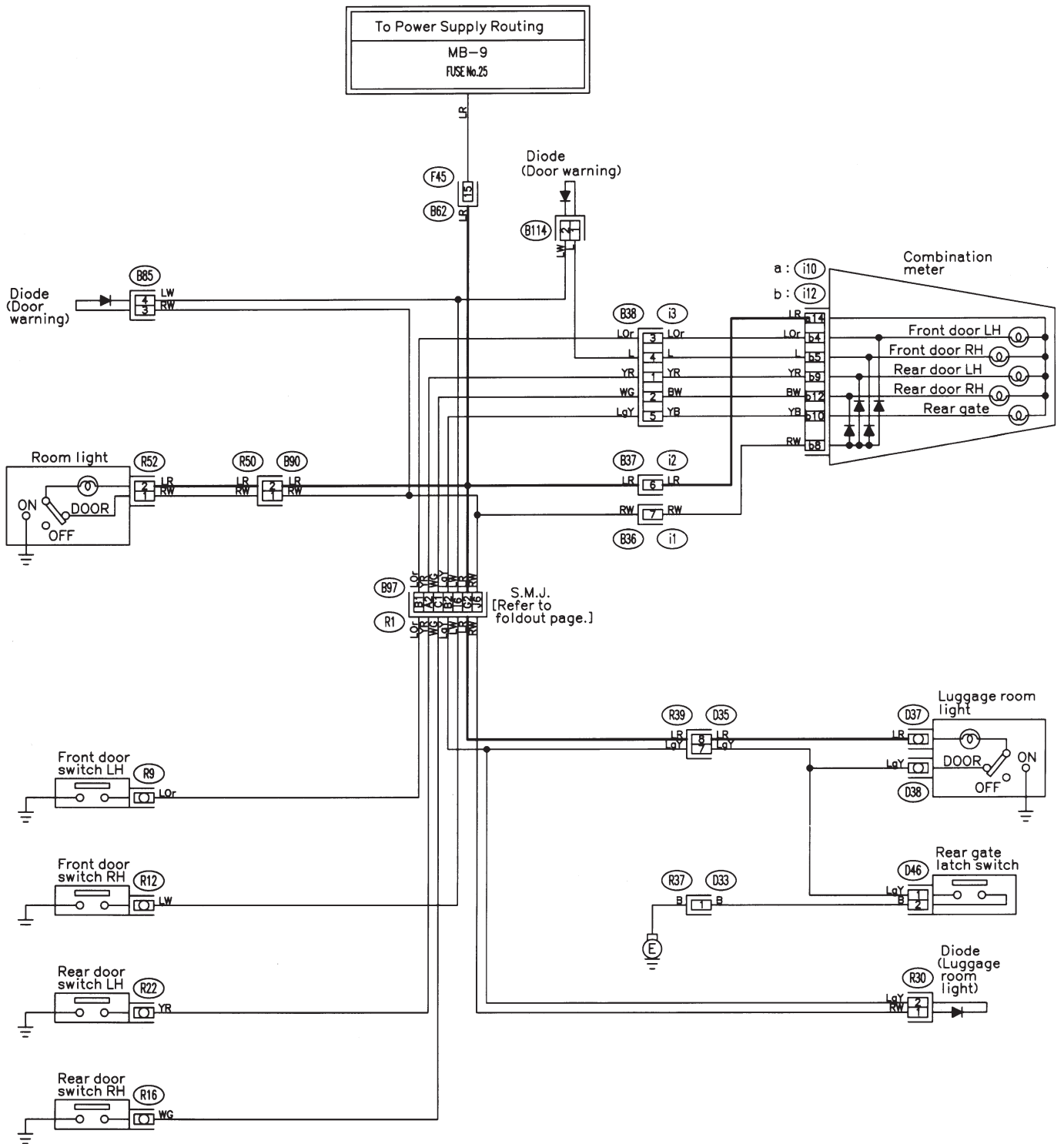


BU23-08

WIRING DIAGRAM

[D6T4] 6-3
6. Wiring Diagram

4. RHD MODEL

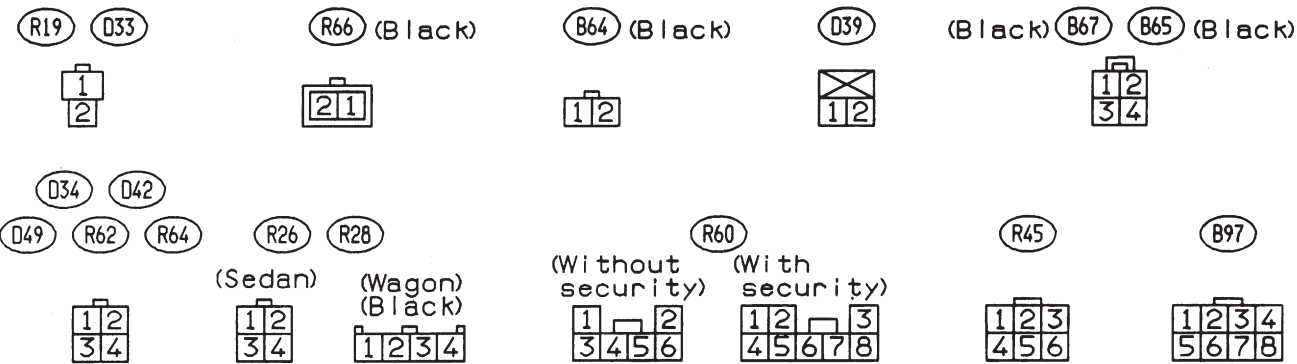
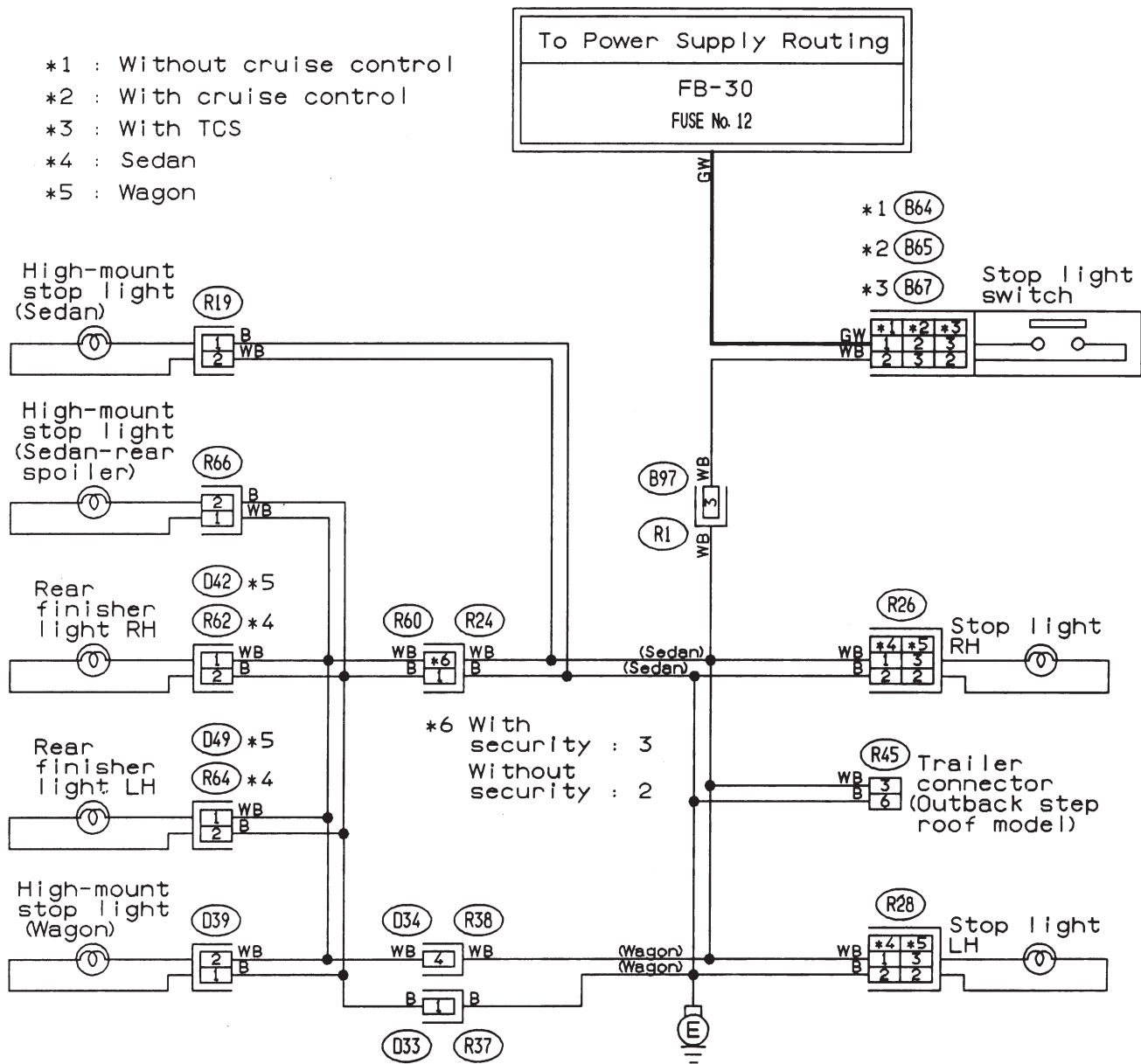


BUR23-02

U: LIGHTING SYSTEM (STOP LIGHT)

1. LHD MODEL

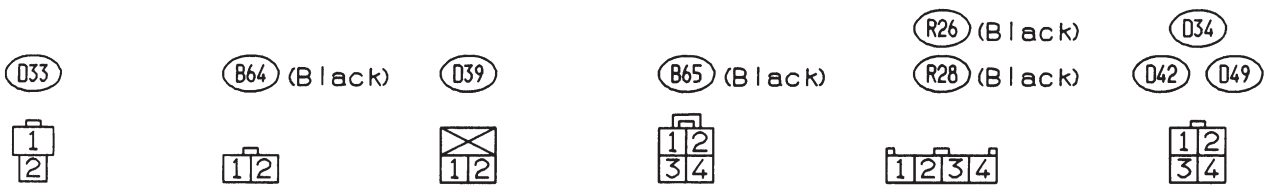
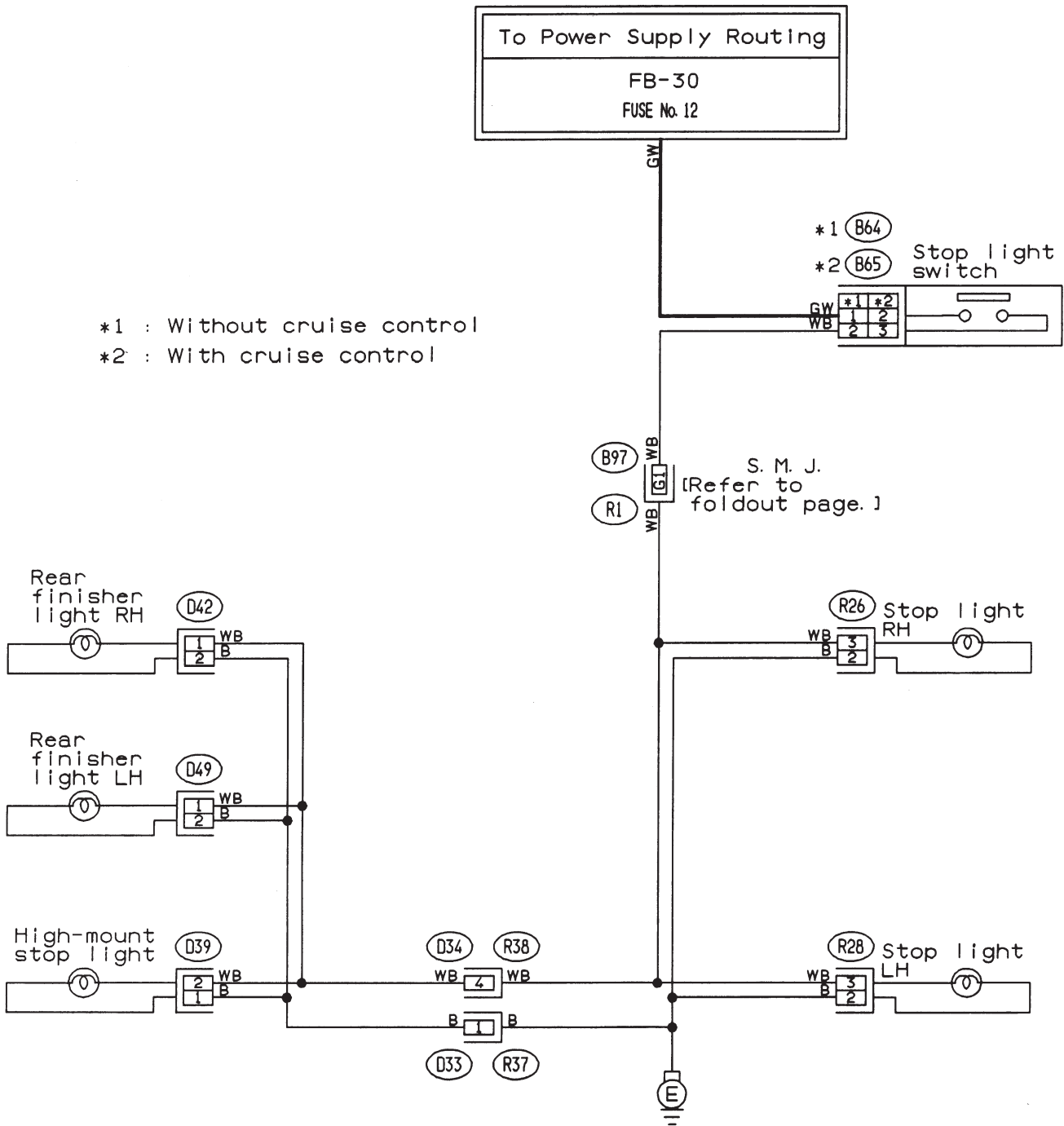
- *1 : Without cruise control
- *2 : With cruise control
- *3 : With TCS
- *4 : Sedan
- *5 : Wagon



WIRING DIAGRAM

[D6U2] **6-3**
6. Wiring Diagram

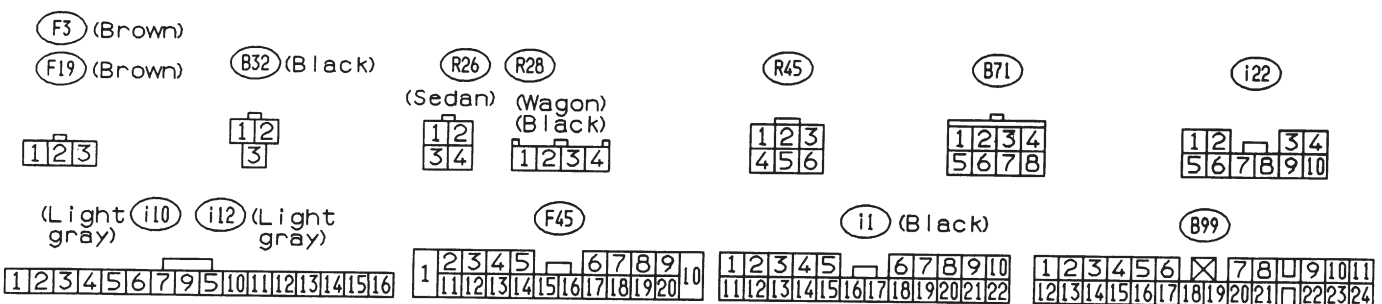
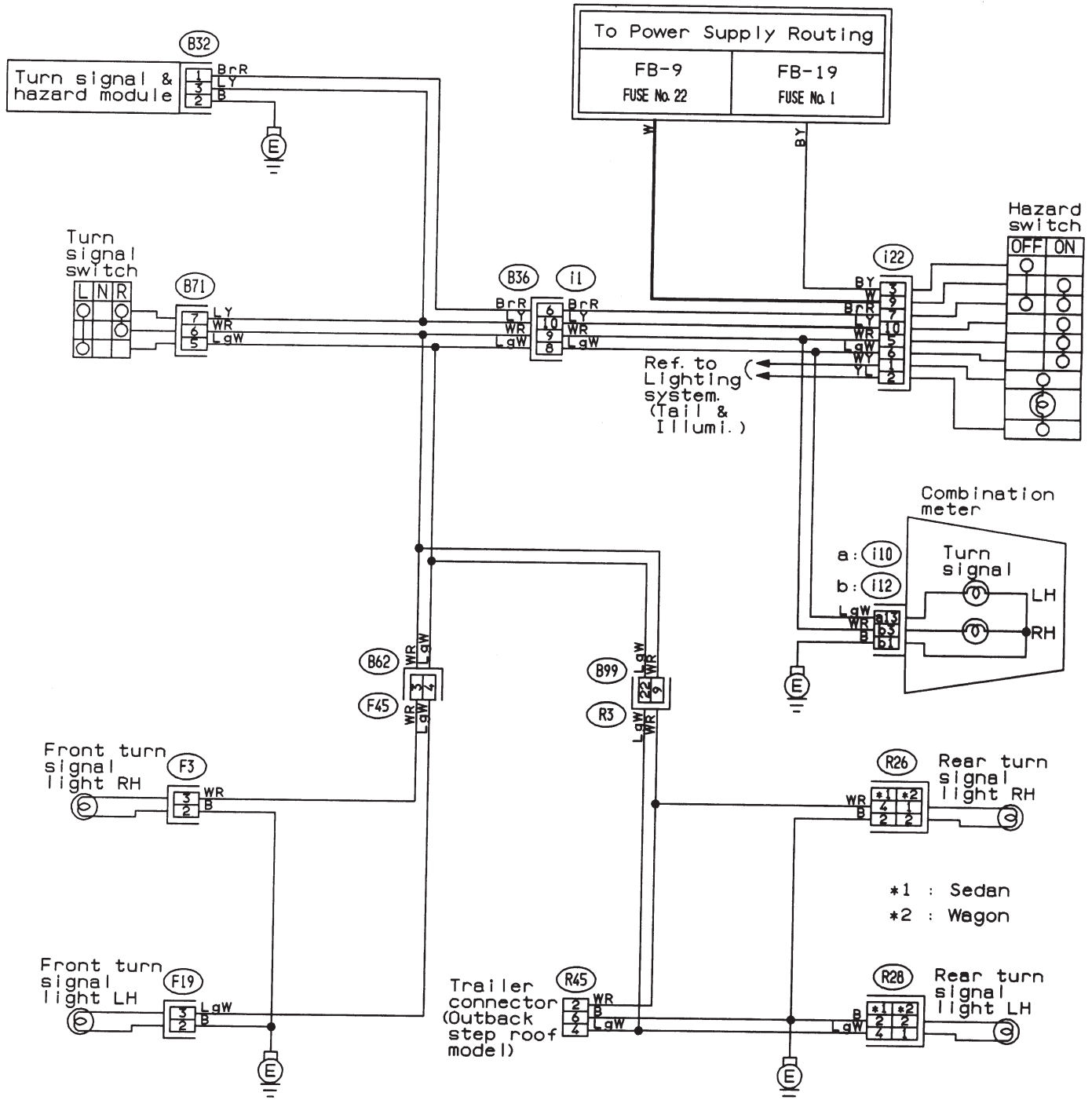
2. RHD MODEL



BUR25-01

V: LIGHTING SYSTEM (TURN SIGNAL LIGHT AND HAZARD LIGHT)

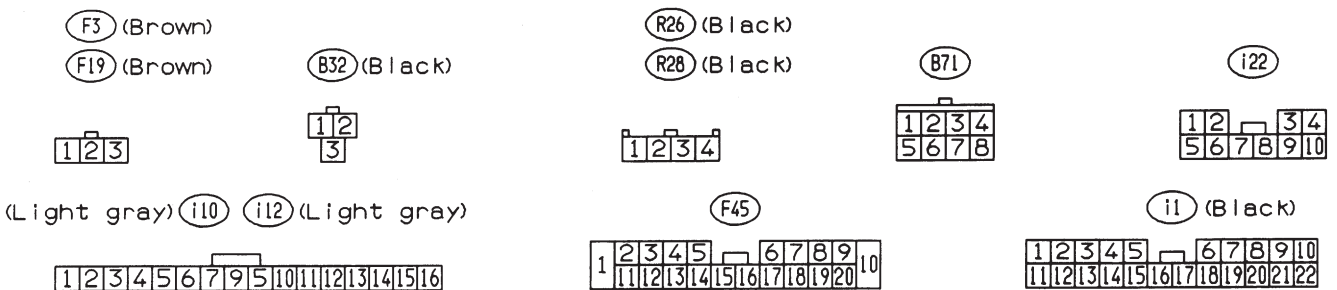
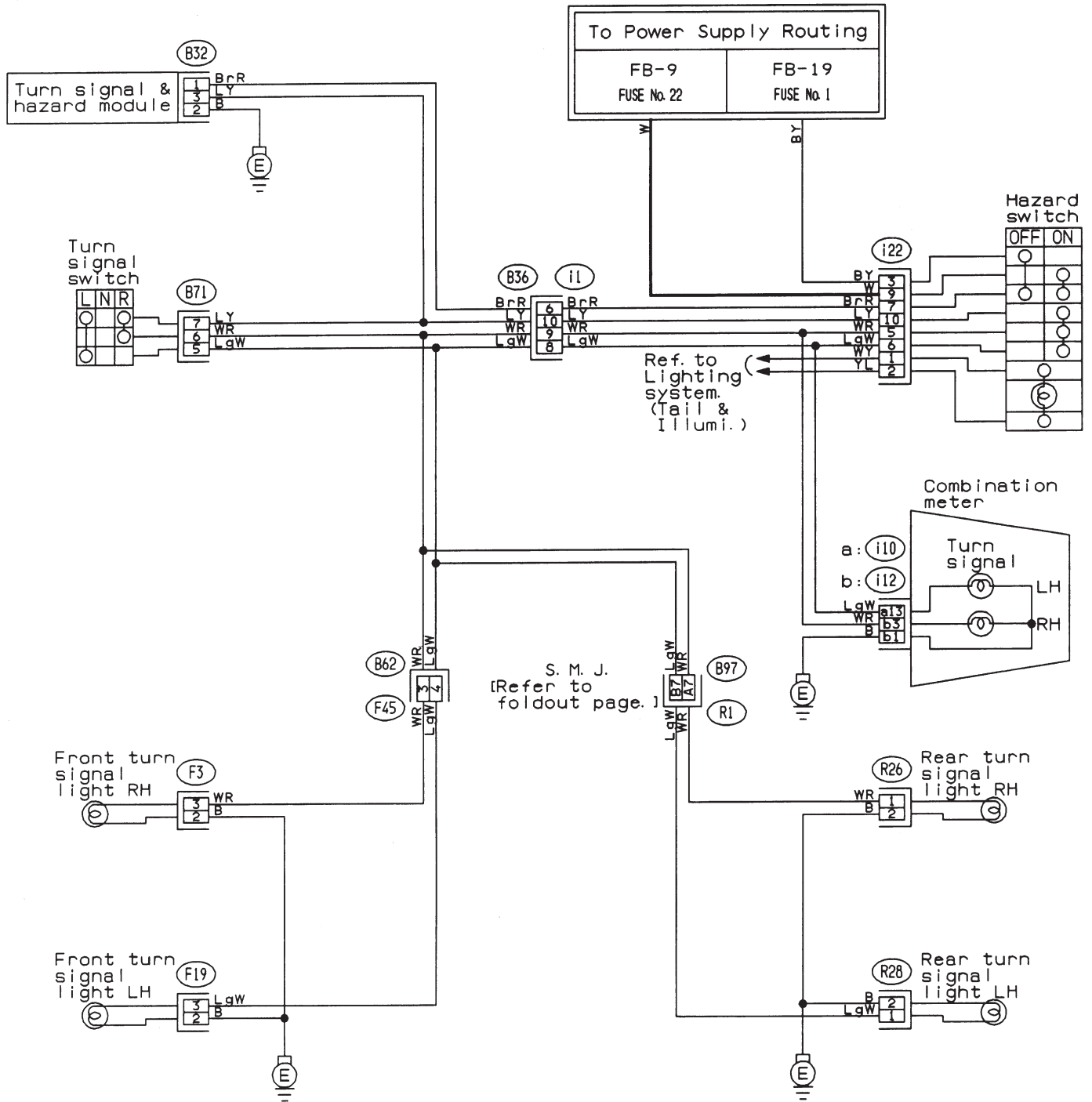
1. LHD MODEL



WIRING DIAGRAM

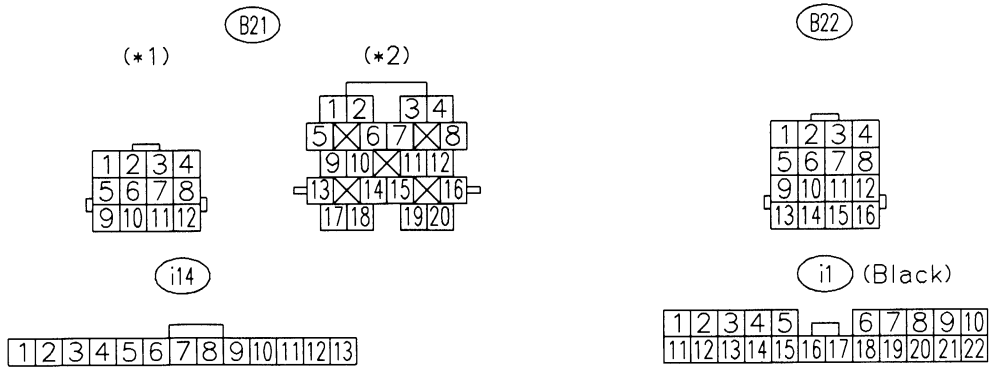
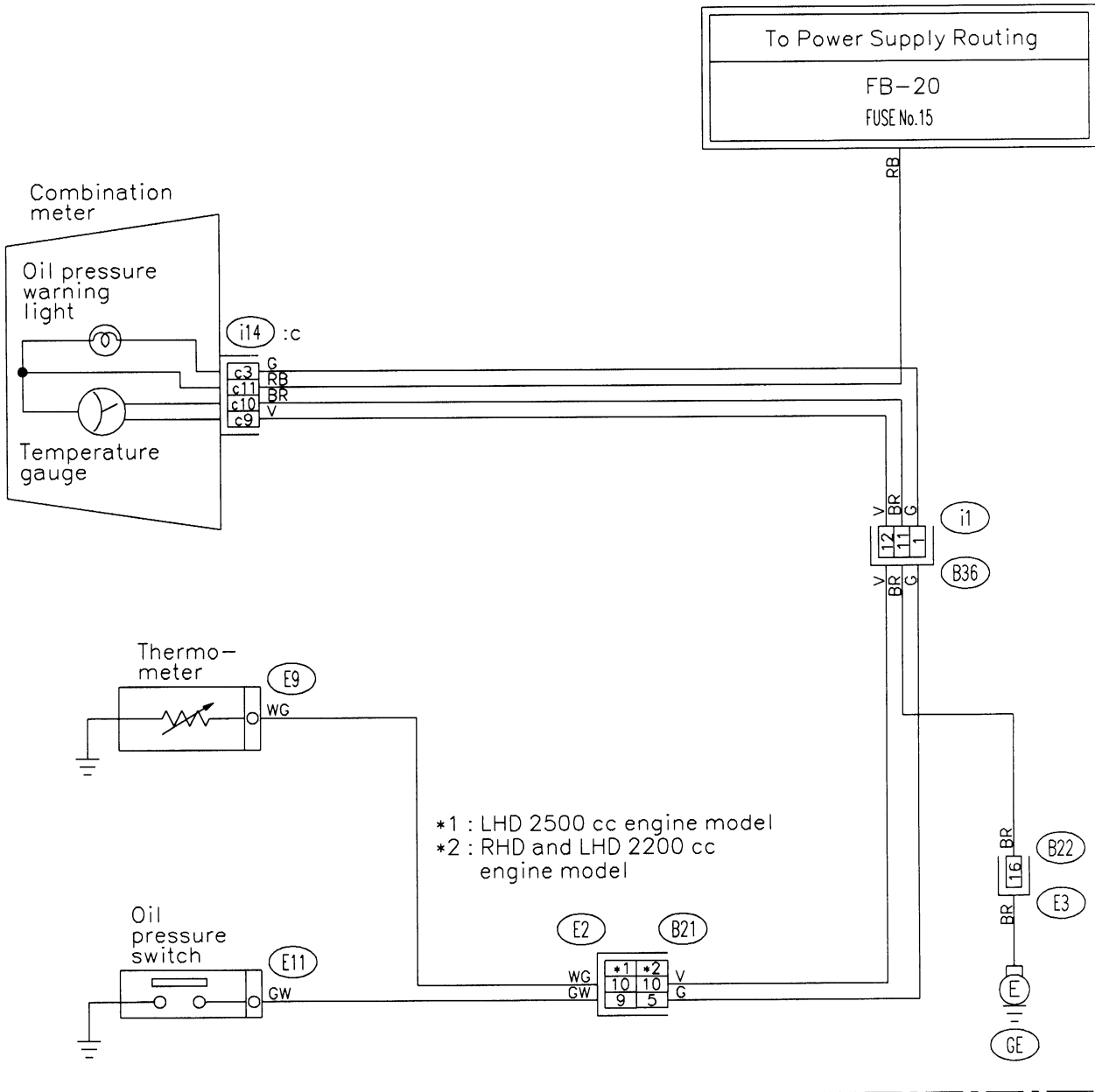
[D6V2] **6-3**
6. Wiring Diagram

2. RHD MODEL



BUR26-01

W: OIL PRESSURE AND TEMPERATURE GAUGE SYSTEM

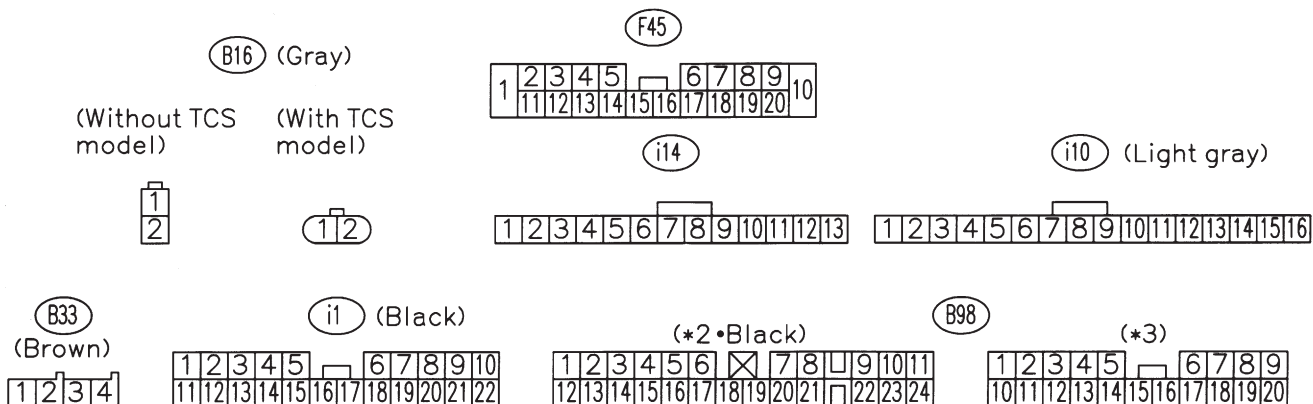
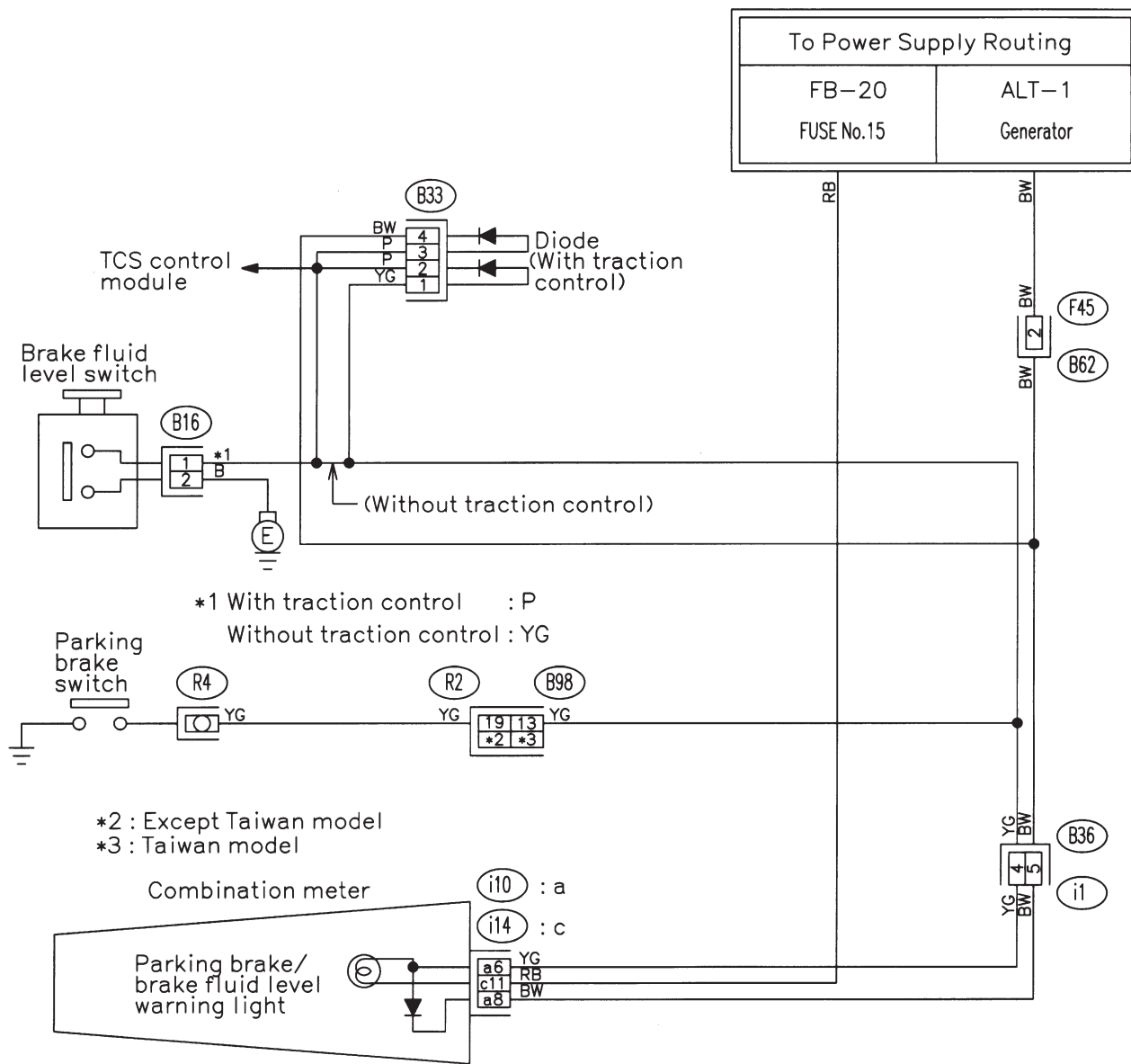


BU66-02

MEMO:

X: PARKING BRAKE AND BRAKE FLUID LEVEL WARNING SYSTEM

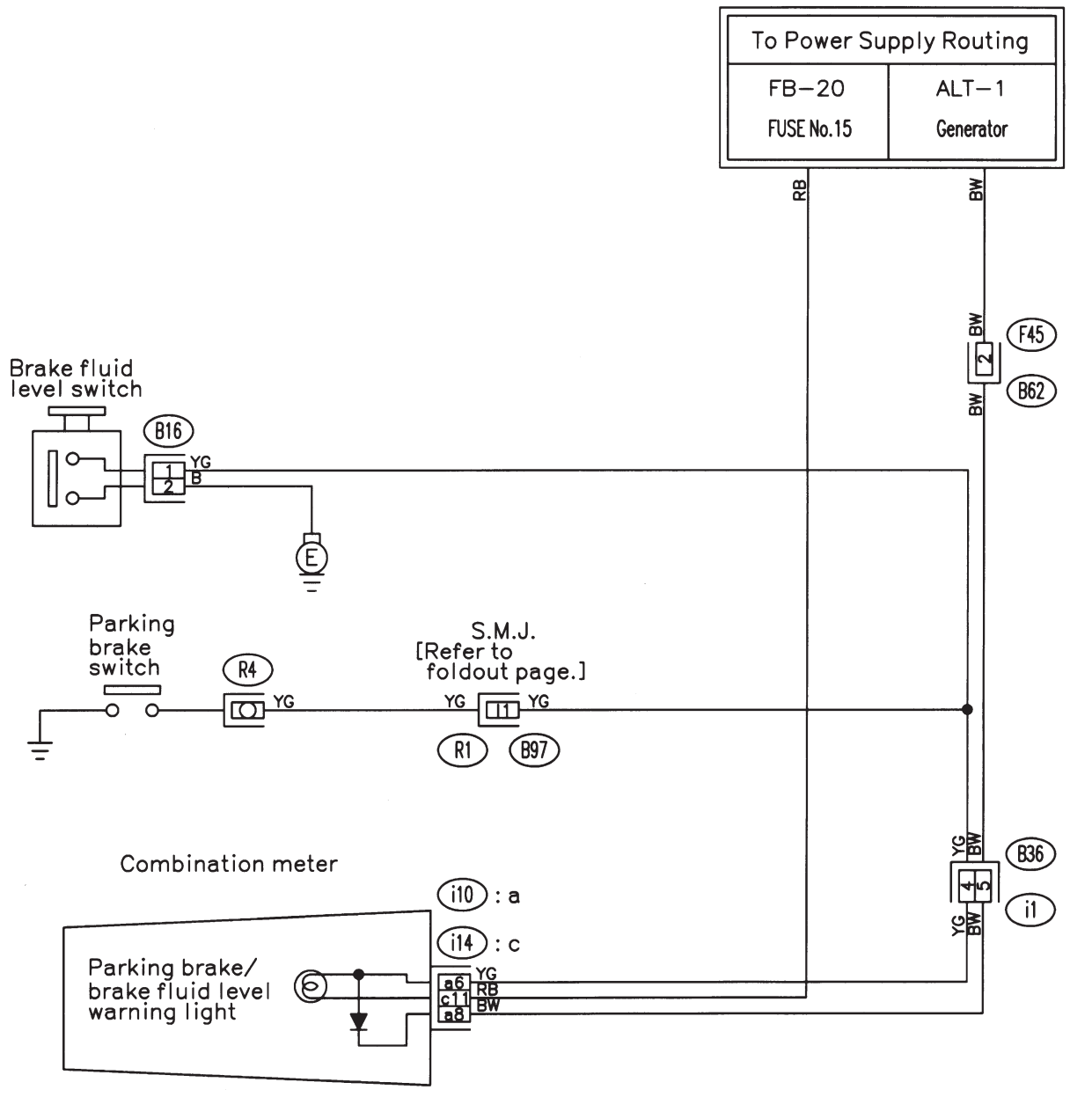
1. LHD MODEL



WIRING DIAGRAM

[D6X2] **6-3**
6. Wiring Diagram

2. RHD MODEL



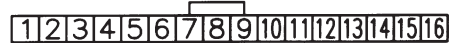
(B16) (Gray)



(i14)



(i10) (Light gray)



(F45)



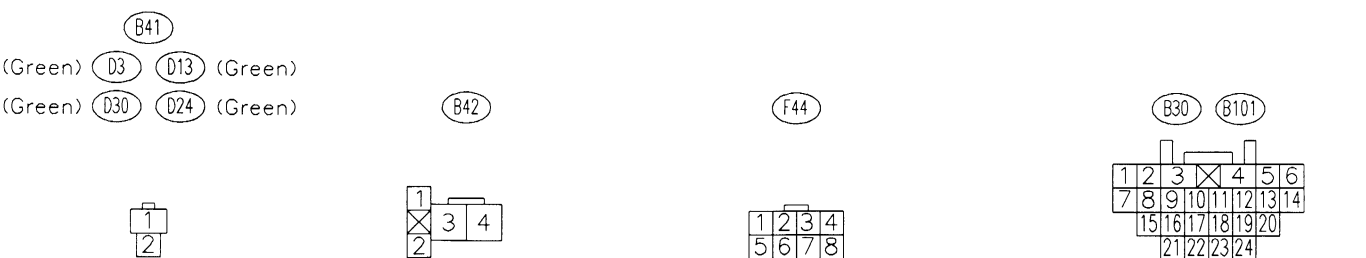
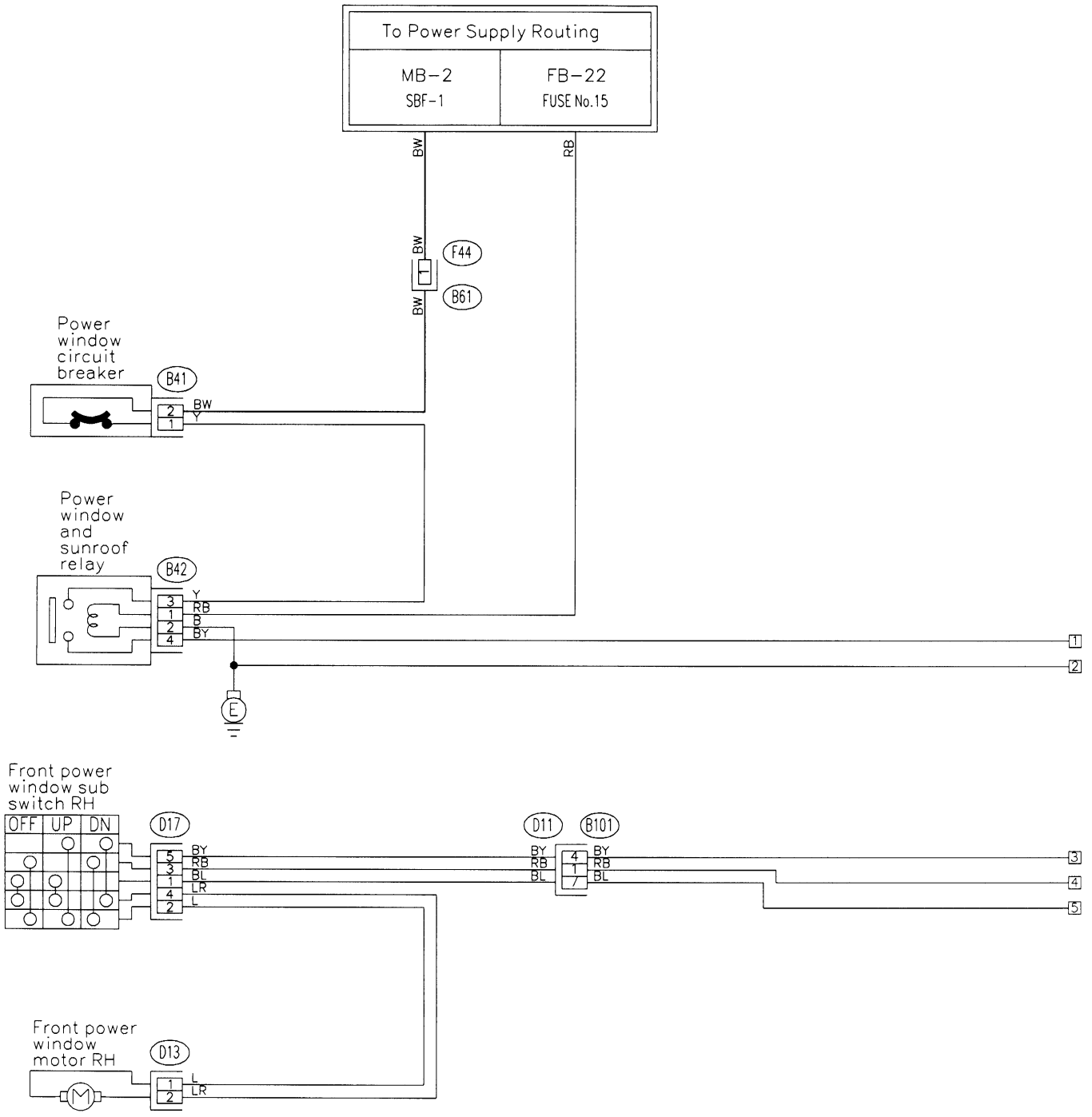
(i1) (Black)



BUR60-02

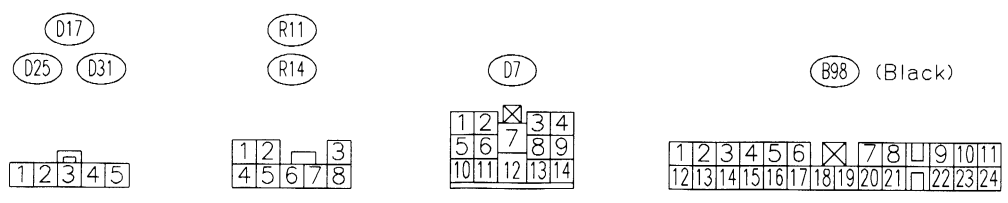
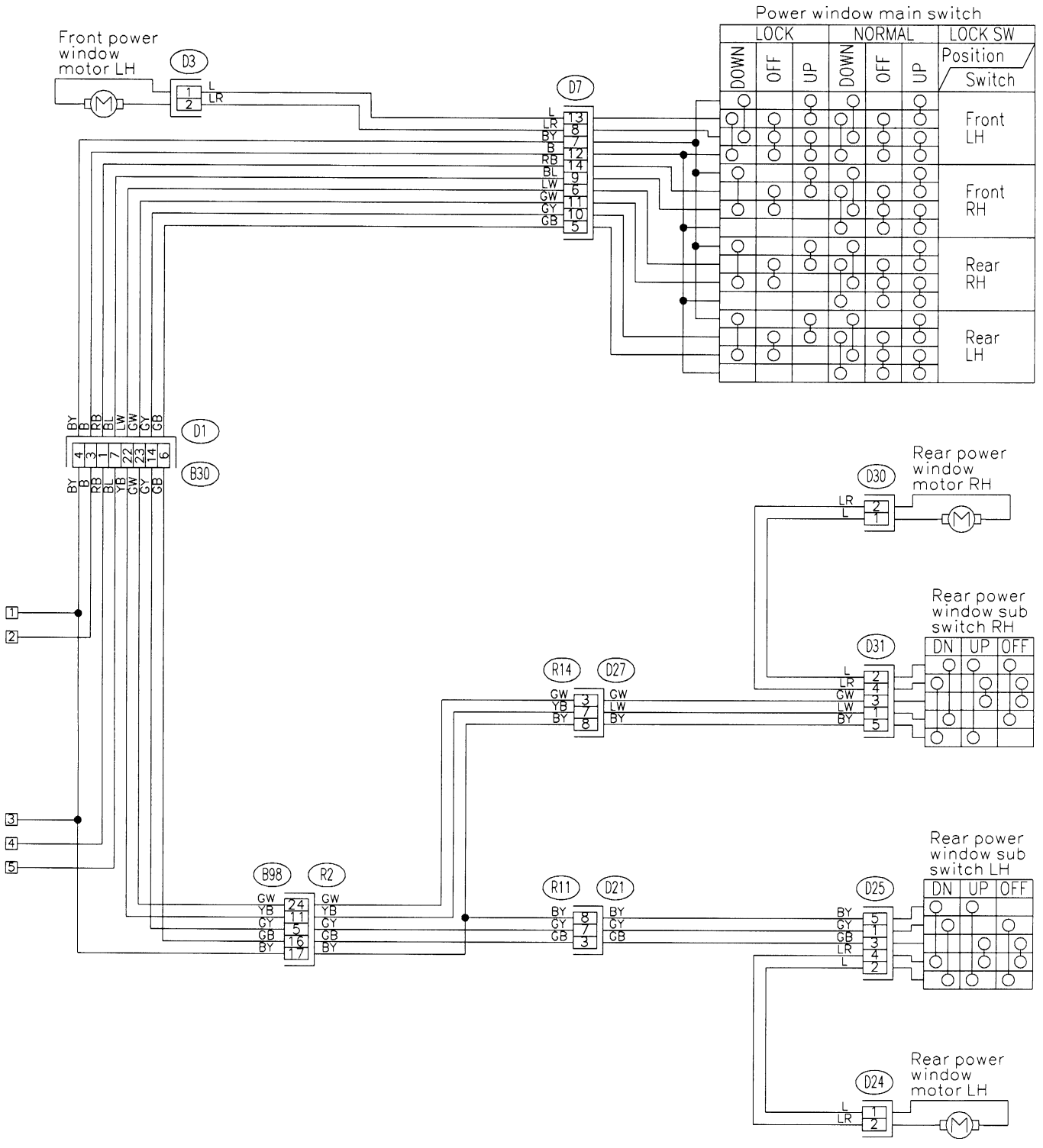
Y: POWER WINDOW SYSTEM

1. LHD MODEL



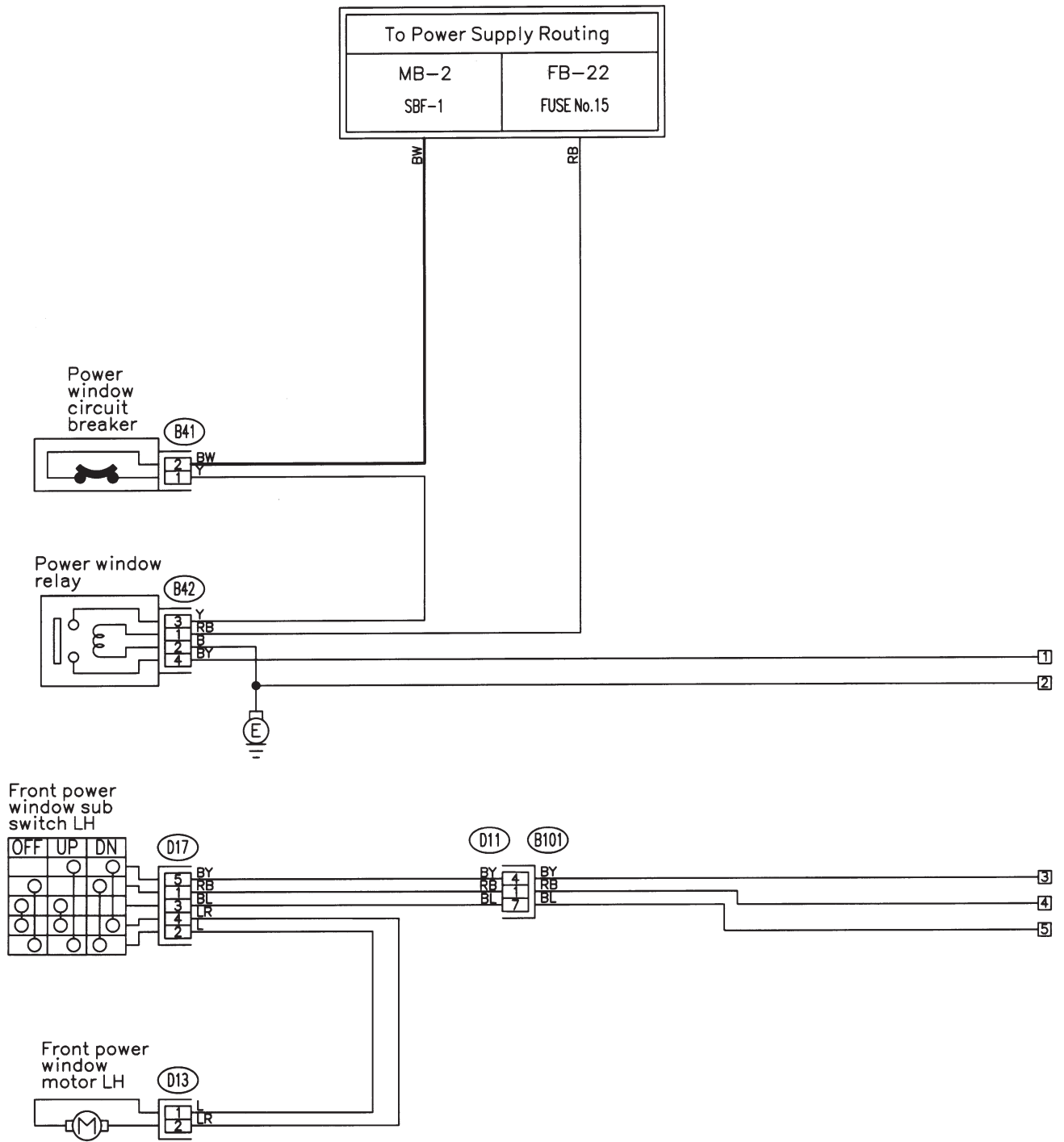
WIRING DIAGRAM

[D6Y1] 6-3
6. Wiring Diagram



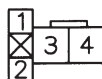
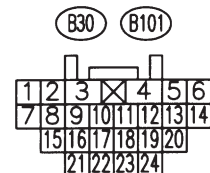
BU70-04B

2. RHD MODEL



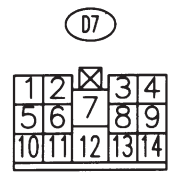
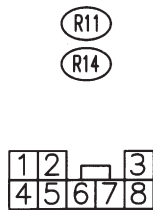
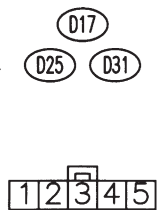
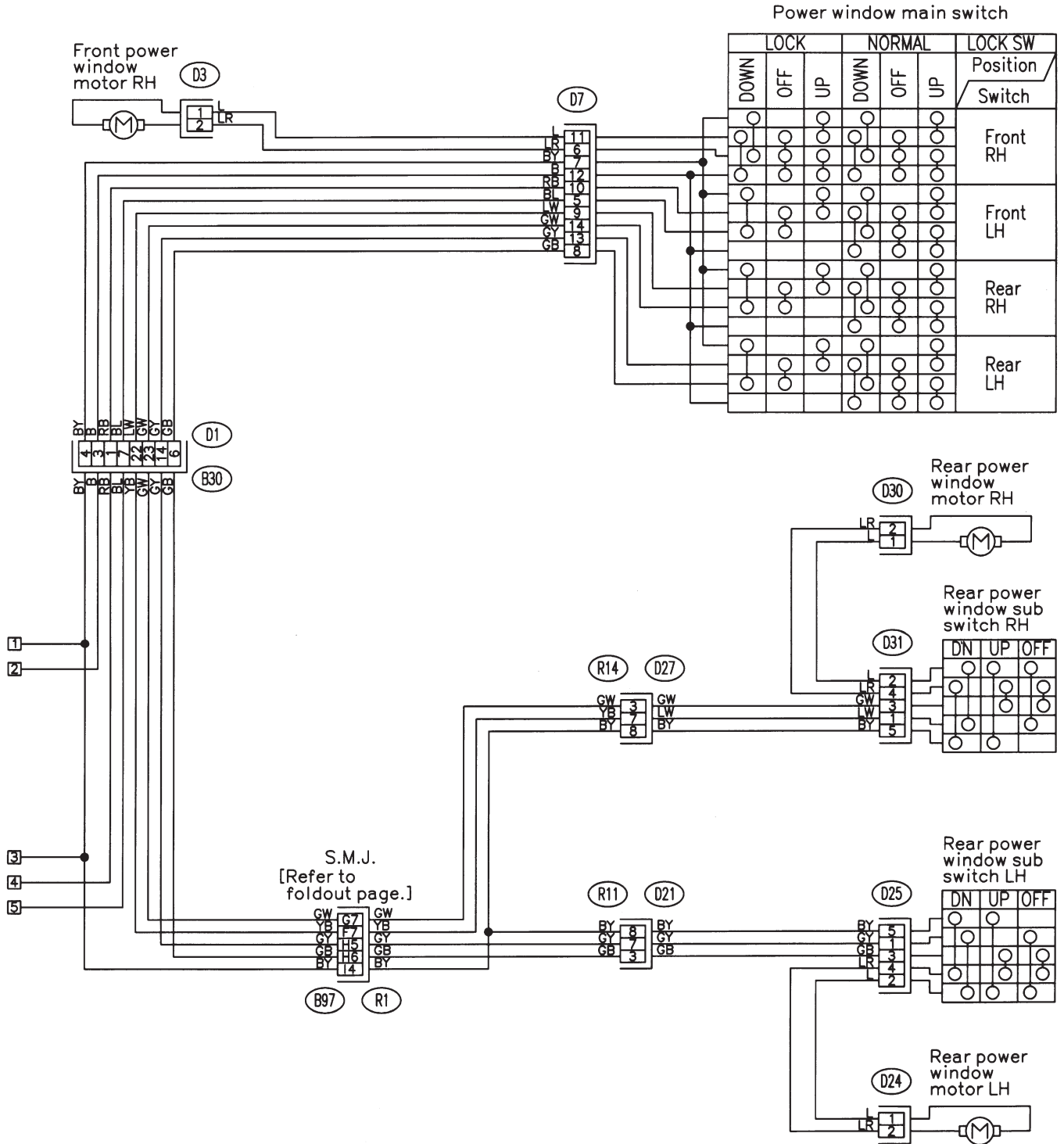
(Green) (B41)
(Green) (D3) (D13) (Green)
(Green) (D30) (D24) (Green)

(B42)



WIRING DIAGRAM

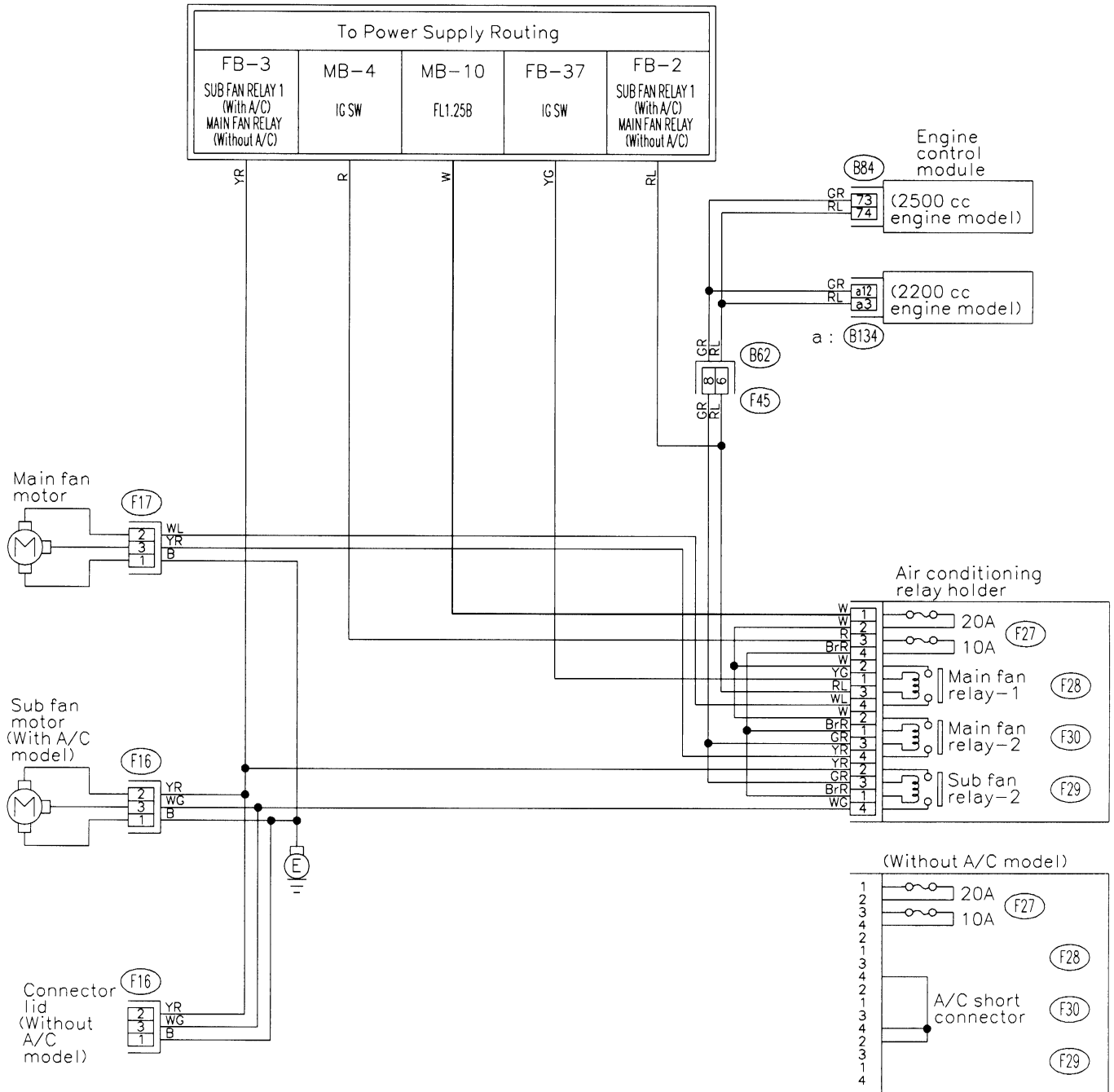
[D6Y2] 6-3
6. Wiring Diagram



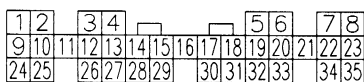
BUR70-02B

Z: RADIATOR FAN SYSTEM

1. LHD MODEL



(B134)

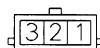


(F45)

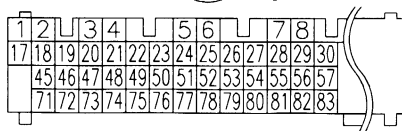


(F16) (Black)

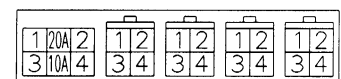
(F17) (Black)



(B84) (Light blue)



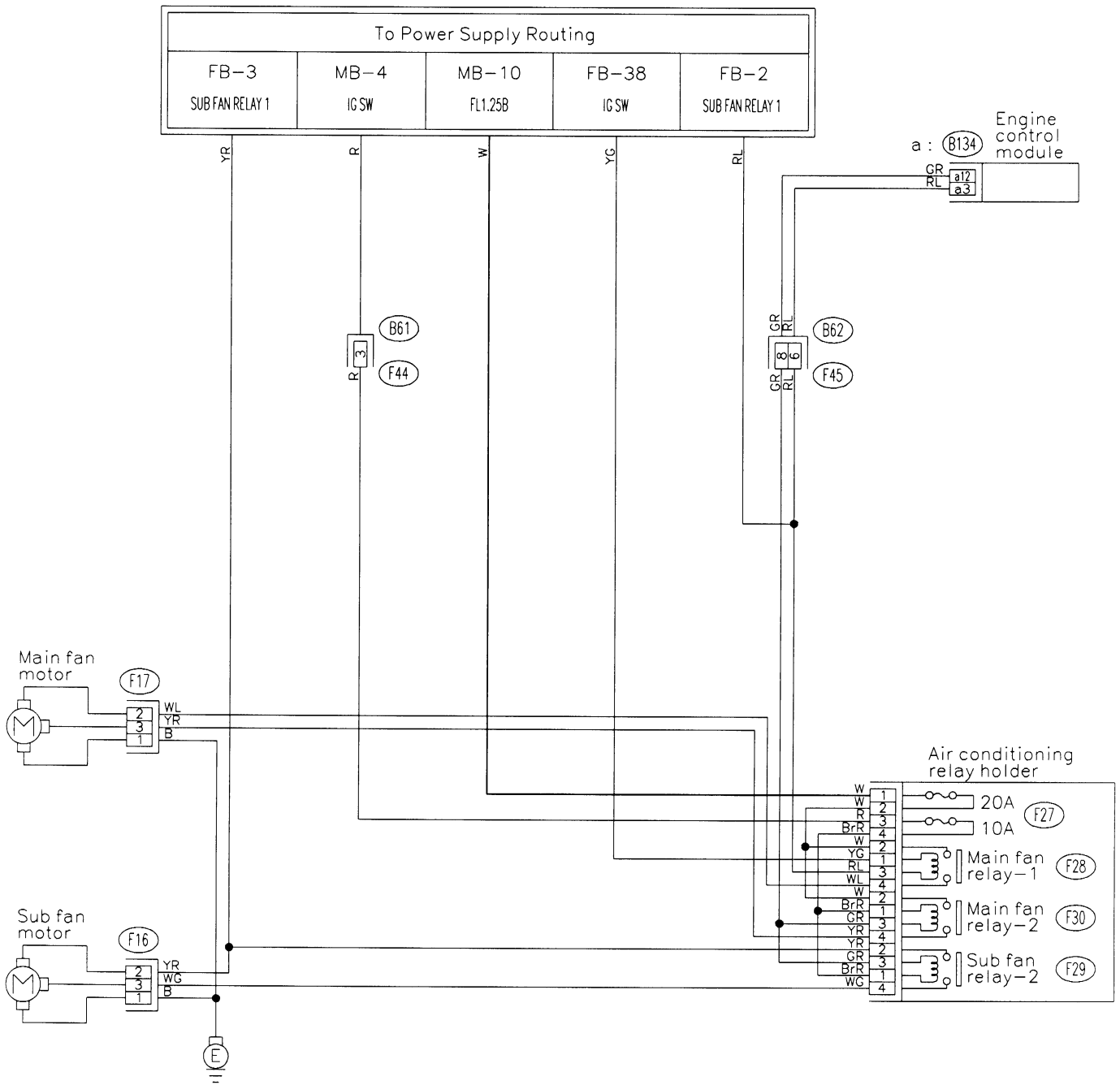
(F27) (F28) (F29) (F30) (F31)



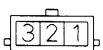
A/C relay holder (Black)

WIRING DIAGRAM

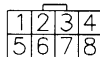
2. RHD MODEL



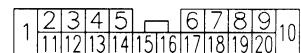
F16 (Black)
F17 (Black)



F44

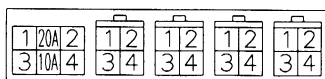


F45

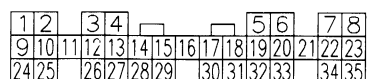


F27 F28 F29 F30 F31

B134

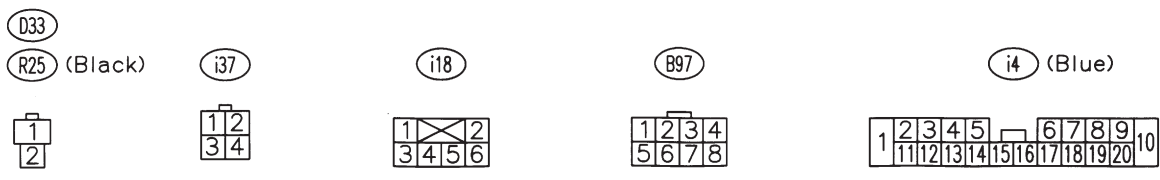
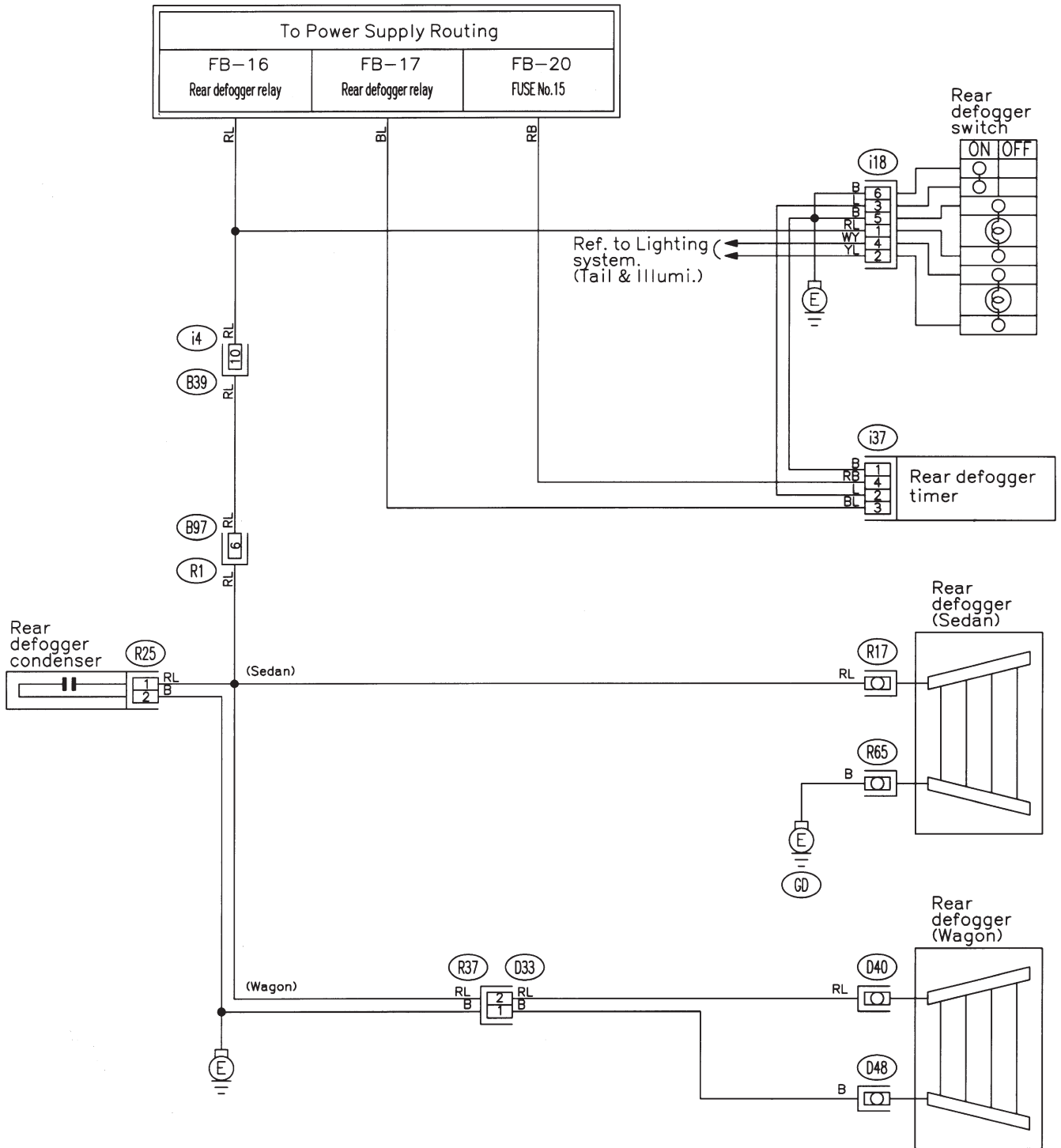


A/C relay holder (Black)



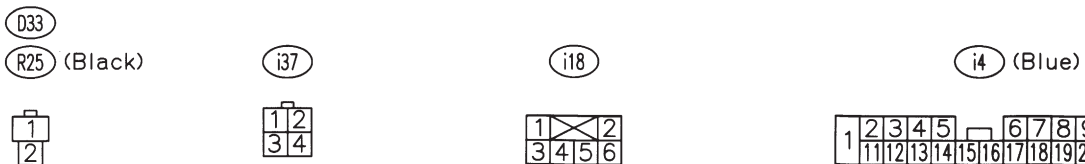
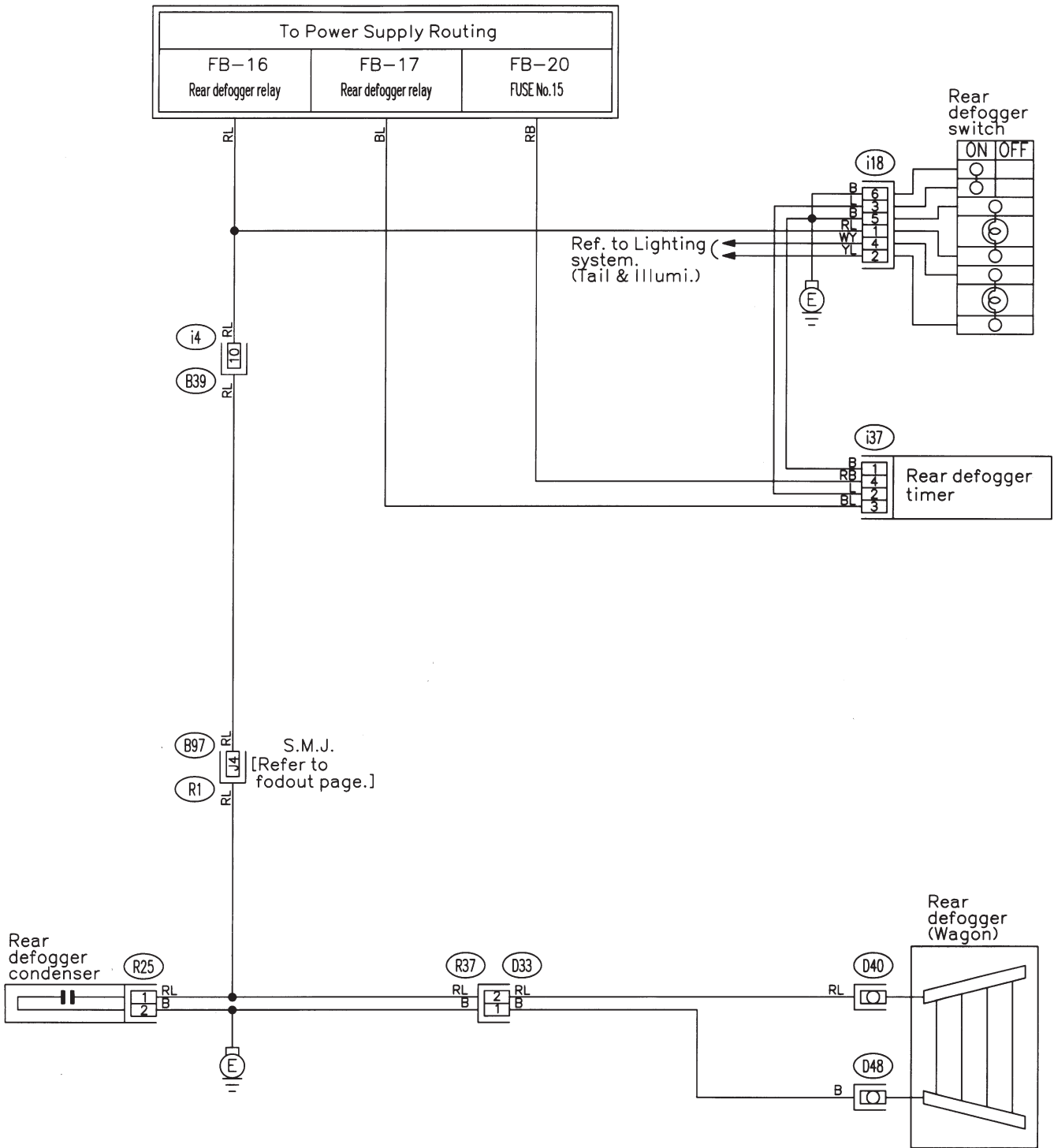
AA: REAR WINDOW DEFOGGER SYSTEM

1. LHD MODEL



WIRING DIAGRAM

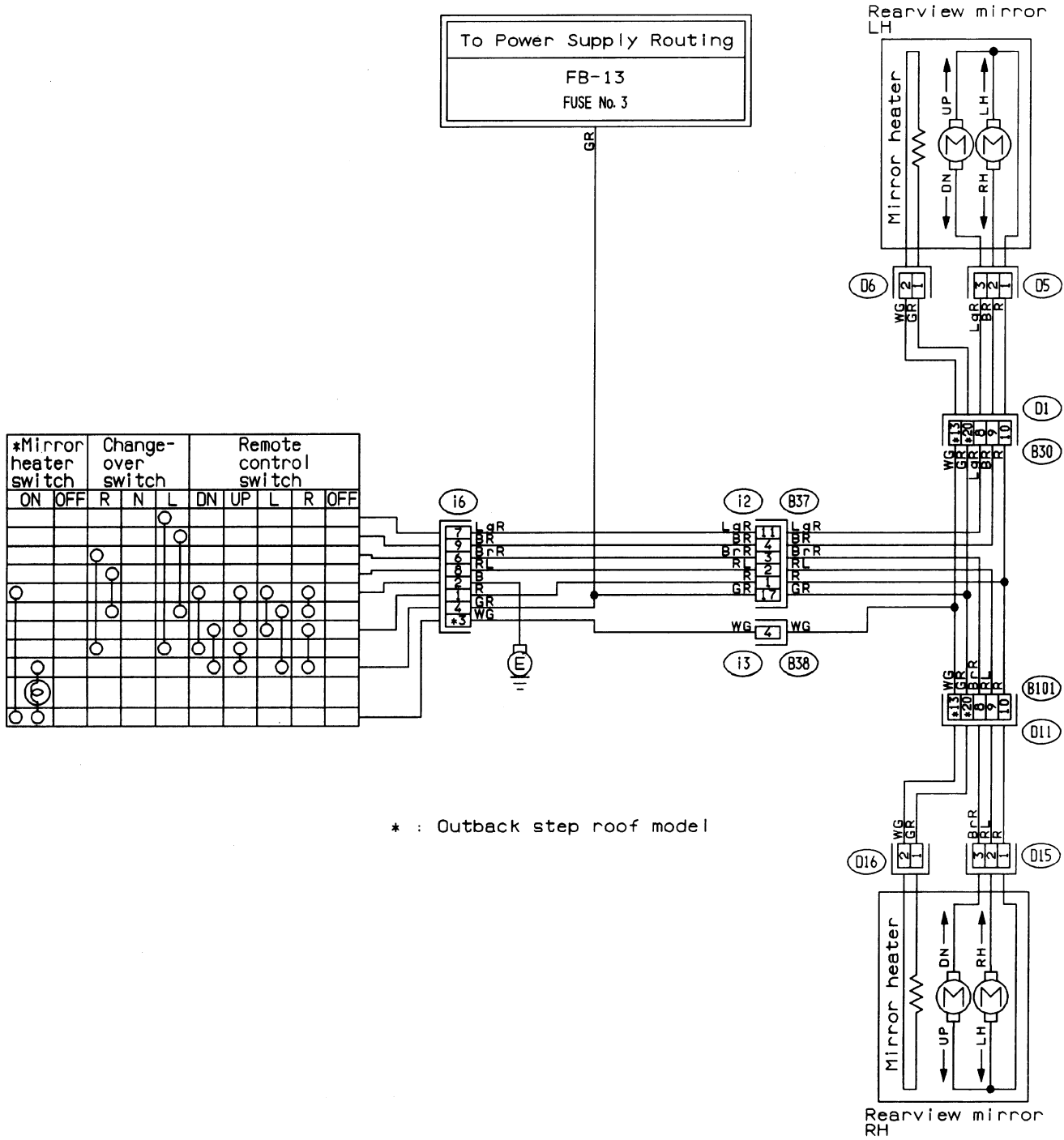
2. RHD MODEL



WIRING DIAGRAM

AB: REMOTE CONTROLLED REARVIEW MIRROR SYSTEM

1. LHD MODEL



* : Outback step roof model

* (D6)

* (D16)

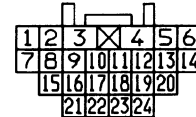
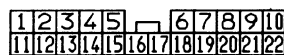
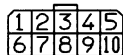
(D5) (D15)

(i6)

(i2)

* (i3) (Brown)

(B30) (B101)

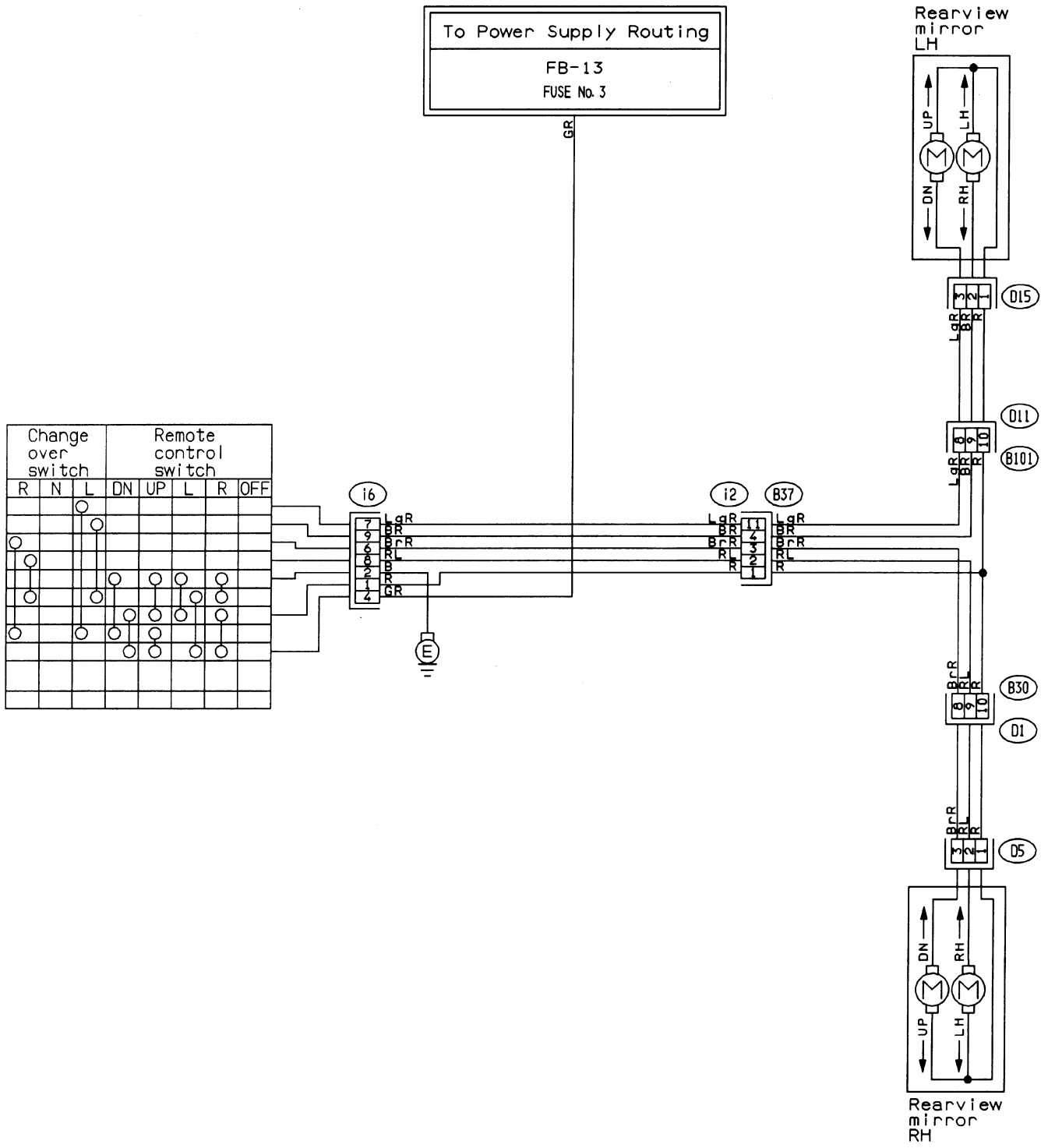


BU79-02

WIRING DIAGRAM

[D6AB2] **6-3**
6. Wiring Diagram

2. RHD MODEL

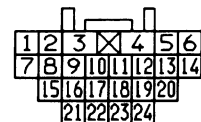
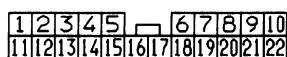
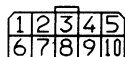


(D5) (D15)

(i6)

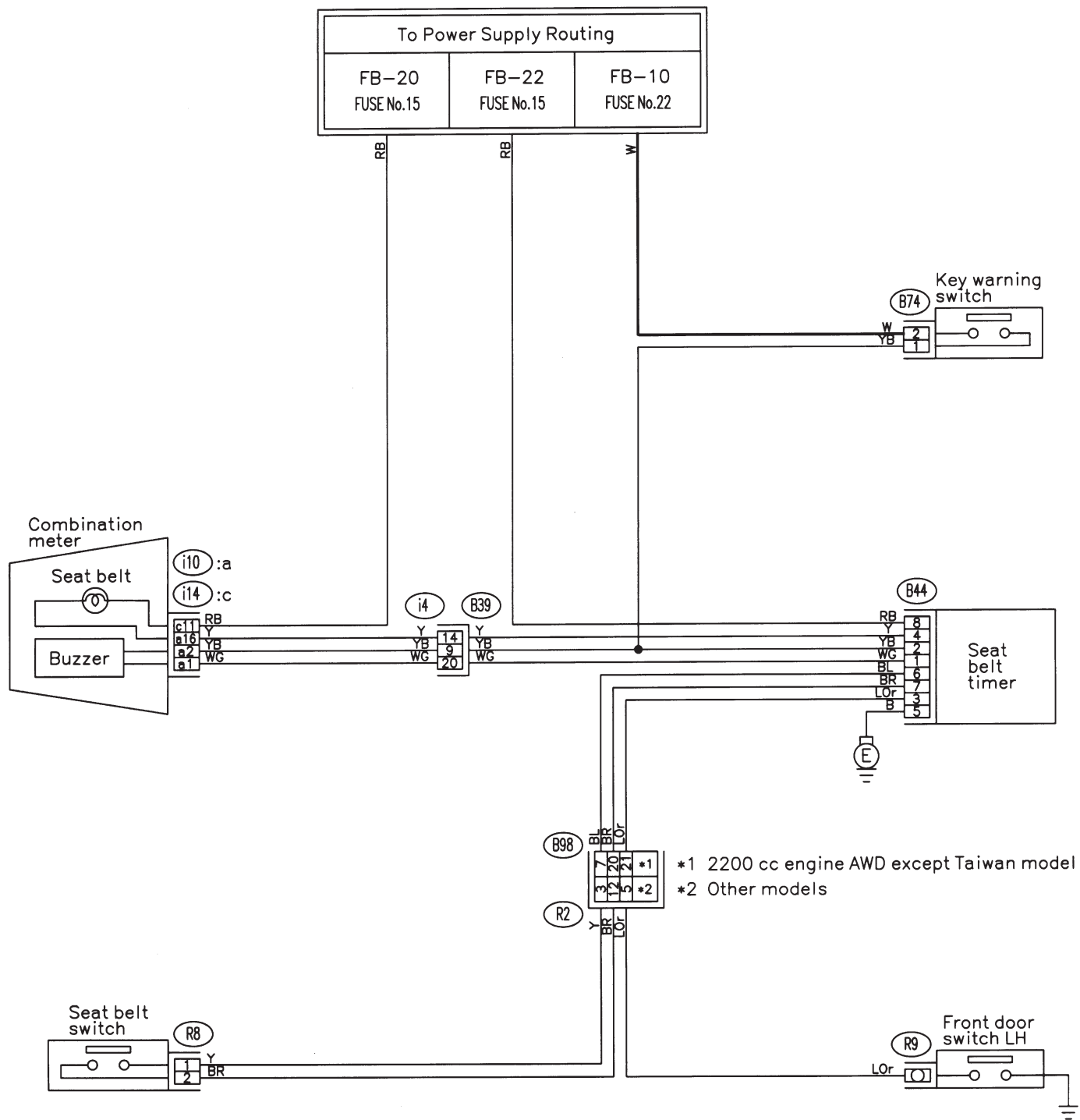
(i2)

(B30) (B101)



AC: SEAT BELT WARNING AND KEY WARNING SYSTEM

1. LHD MODEL



*1 2200 cc engine AWD except Taiwan model
*2 Other models

(R8) (B74) (Black)



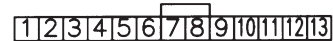
(B44)



(i4) (Blue)



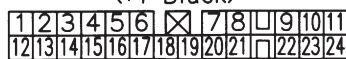
(i14)



(i10) (Light gray)

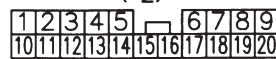


(*1 • Black)



(B98)

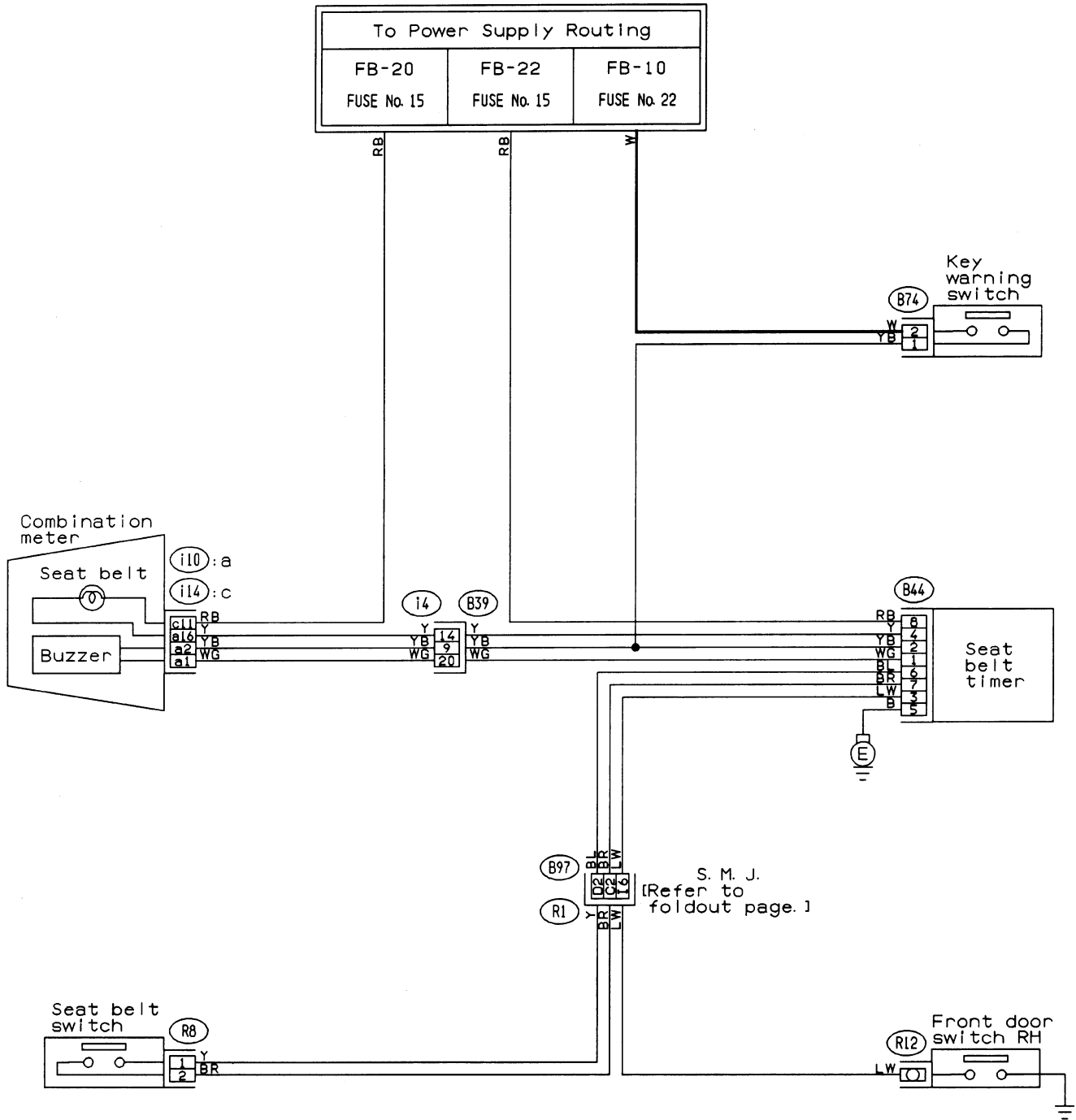
(*2)



WIRING DIAGRAM

[D6AC2] **6-3**
6. Wiring Diagram

2. RHD MODEL



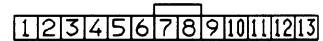
(R8) (B74) (Black)



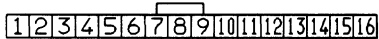
(B44)



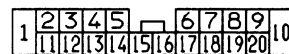
(i14)



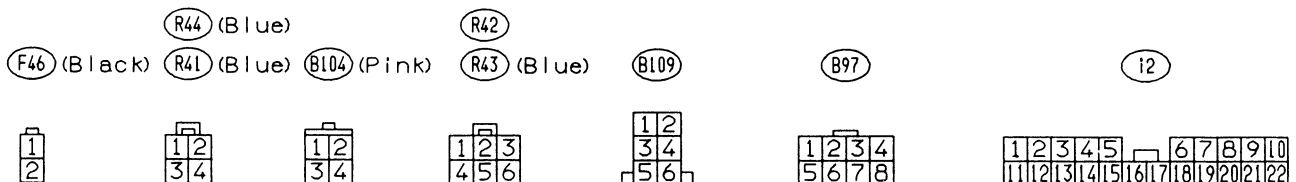
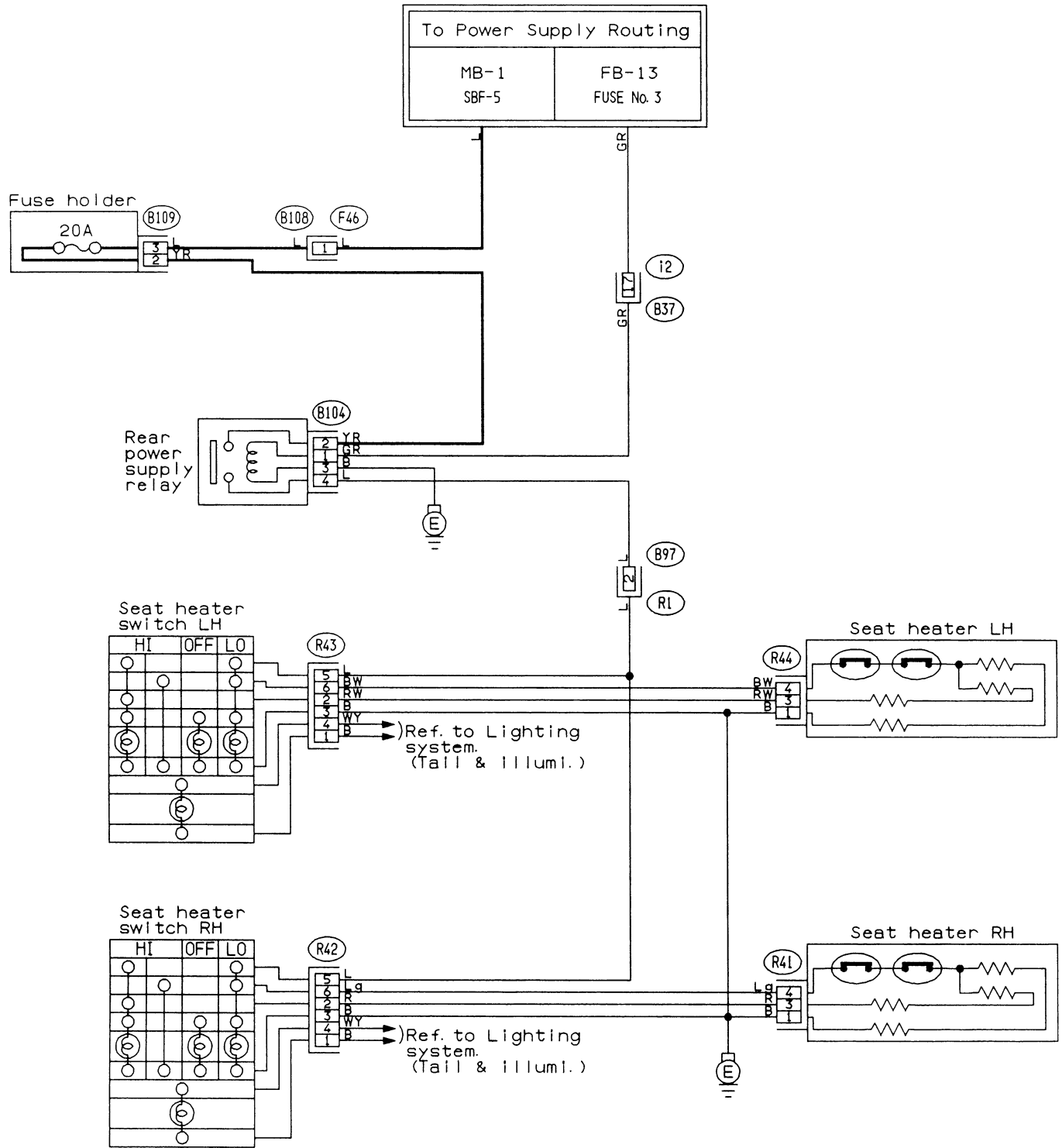
(i10) (Light gray)



(i4) (Blue)

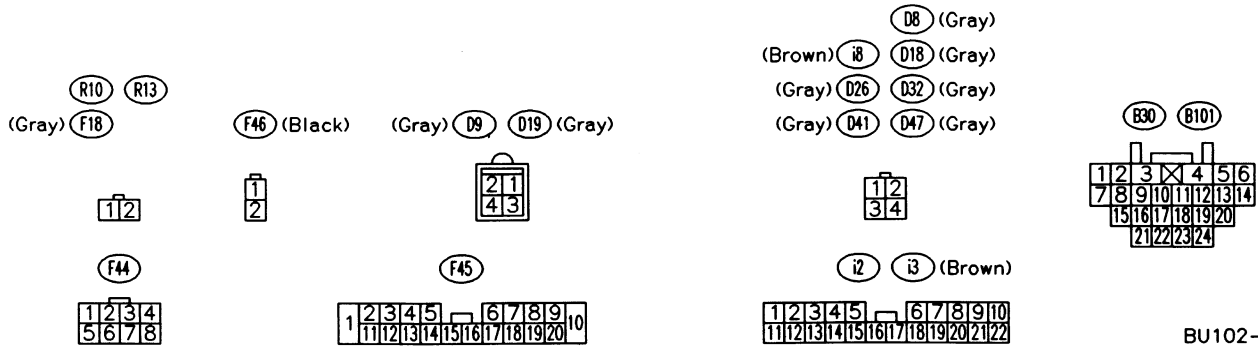
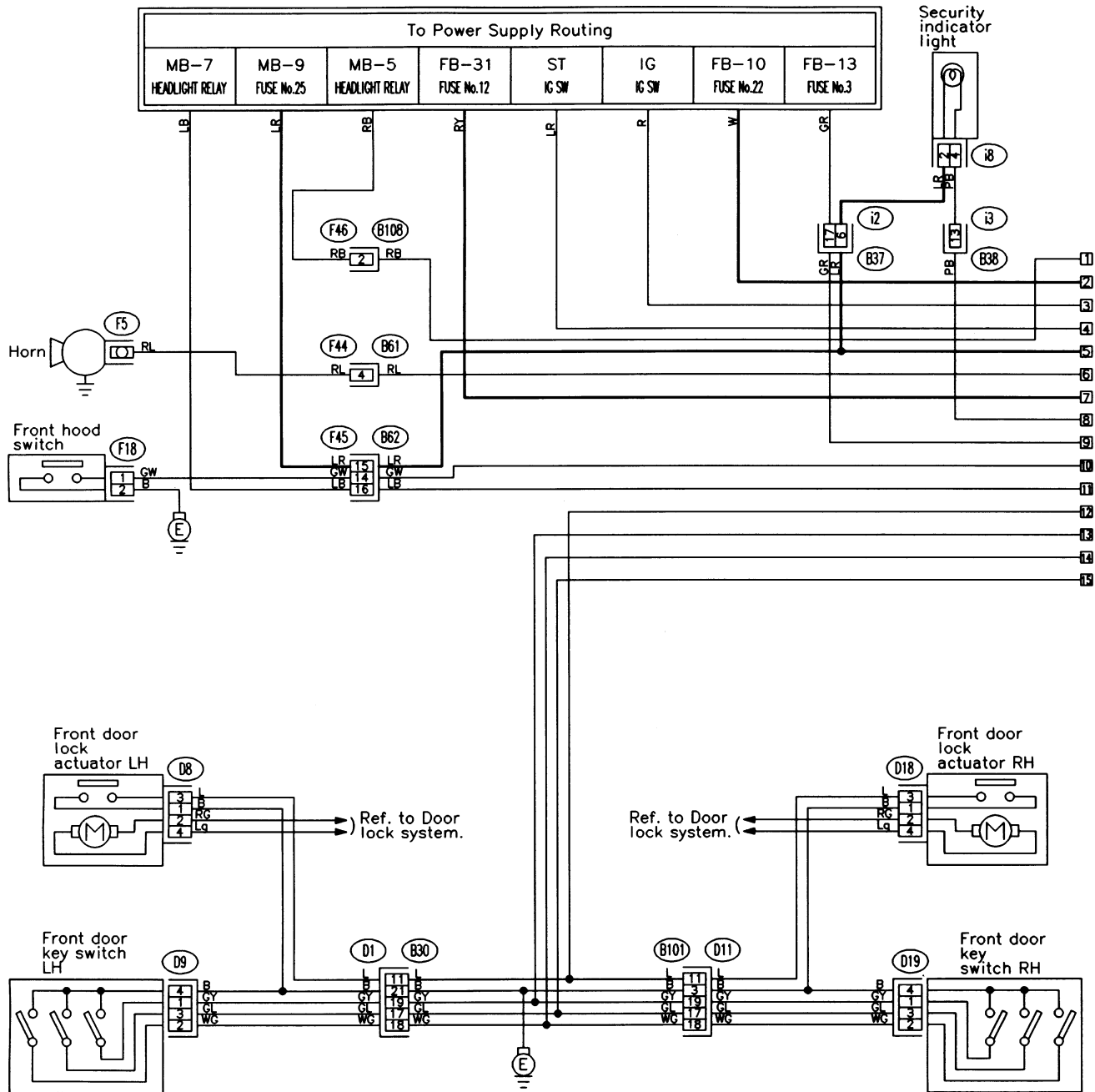


AD: SEAT HEATER SYSTEM



MEMO:

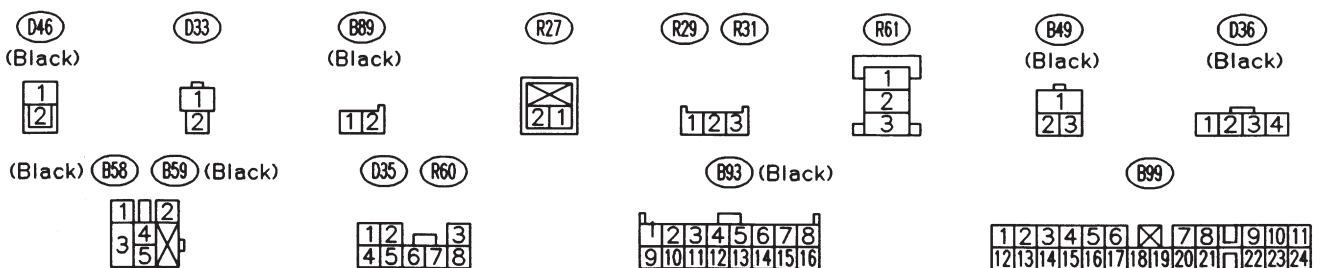
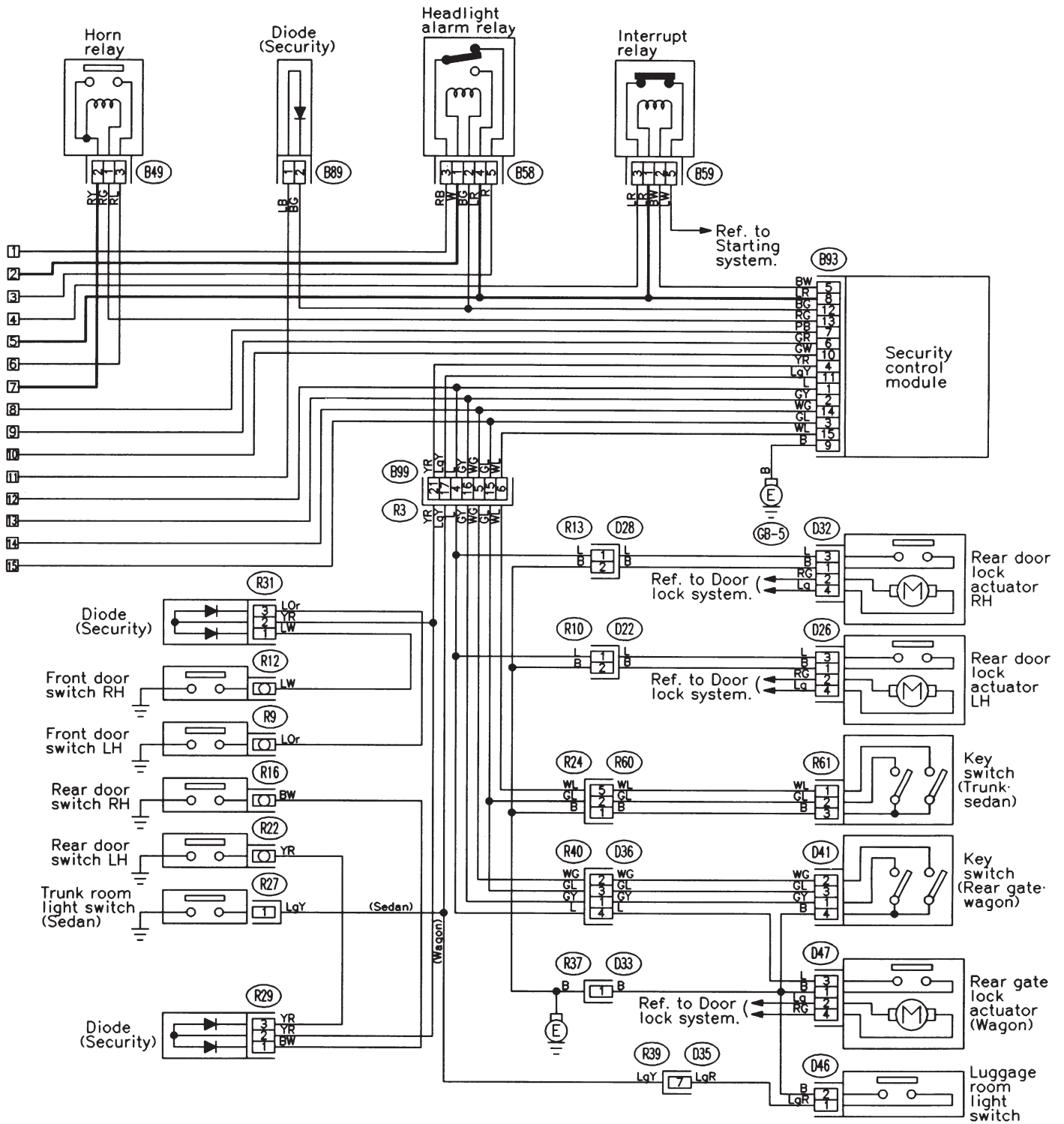
AE: SECURITY SYSTEM



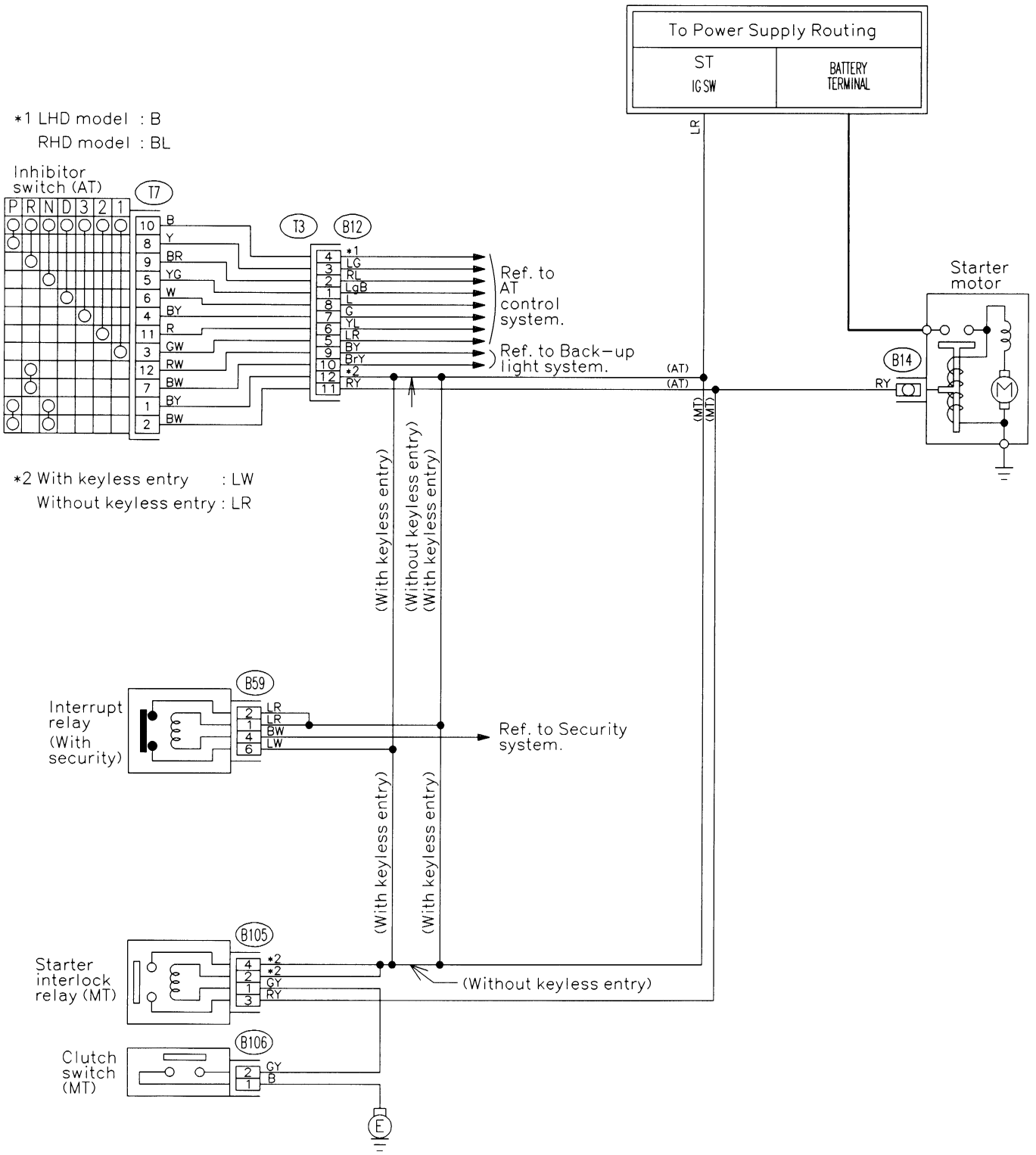
BU102-03A

WIRING DIAGRAM

[D6AE0] 6-3
6. Wiring Diagram



AF: STARTER SYSTEM



(B106)



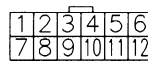
(B105) (Green)



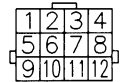
(B59)



(17)



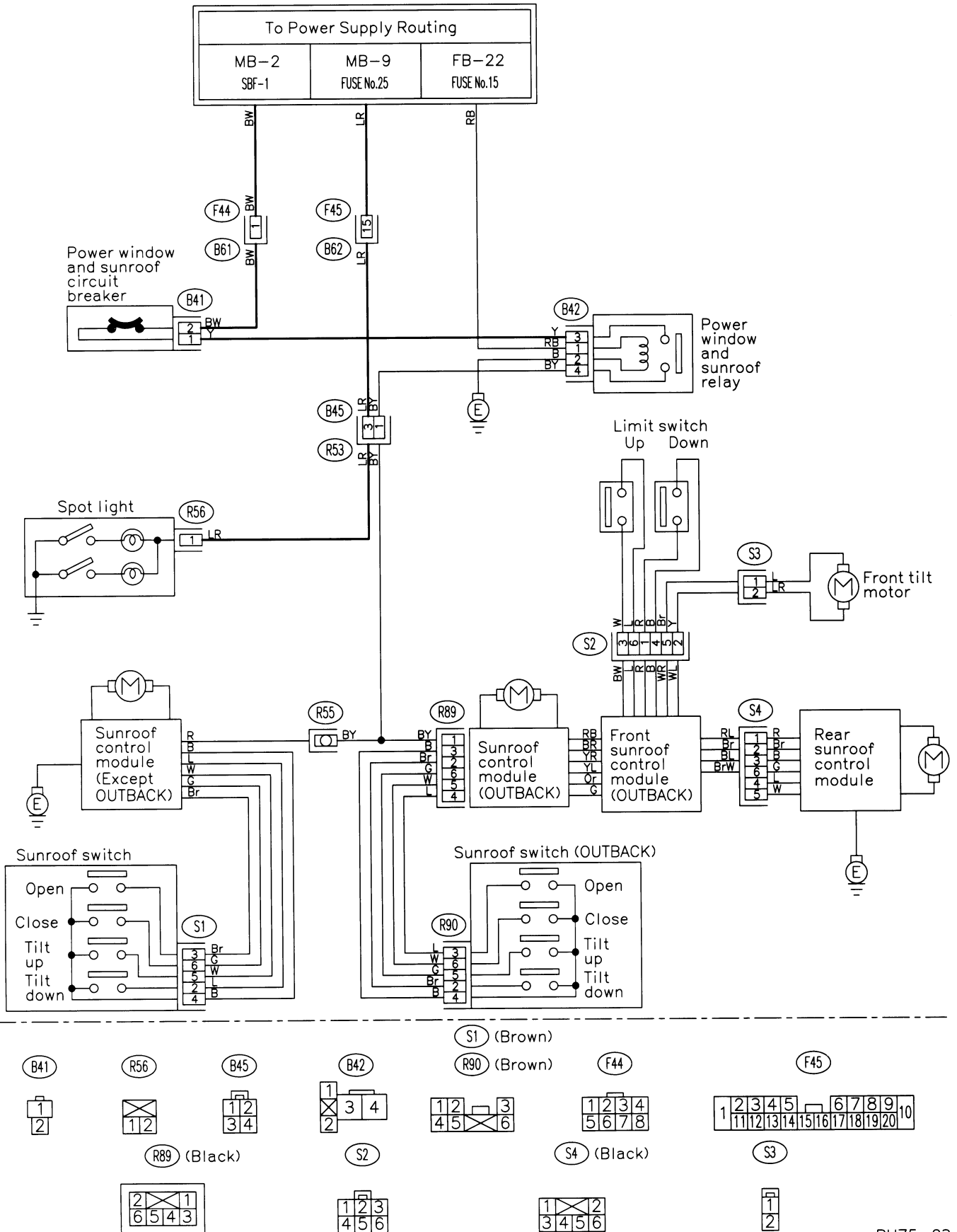
(B12) (Gray)



WIRING DIAGRAM

[D6AG0] **6-3**
6. Wiring Diagram

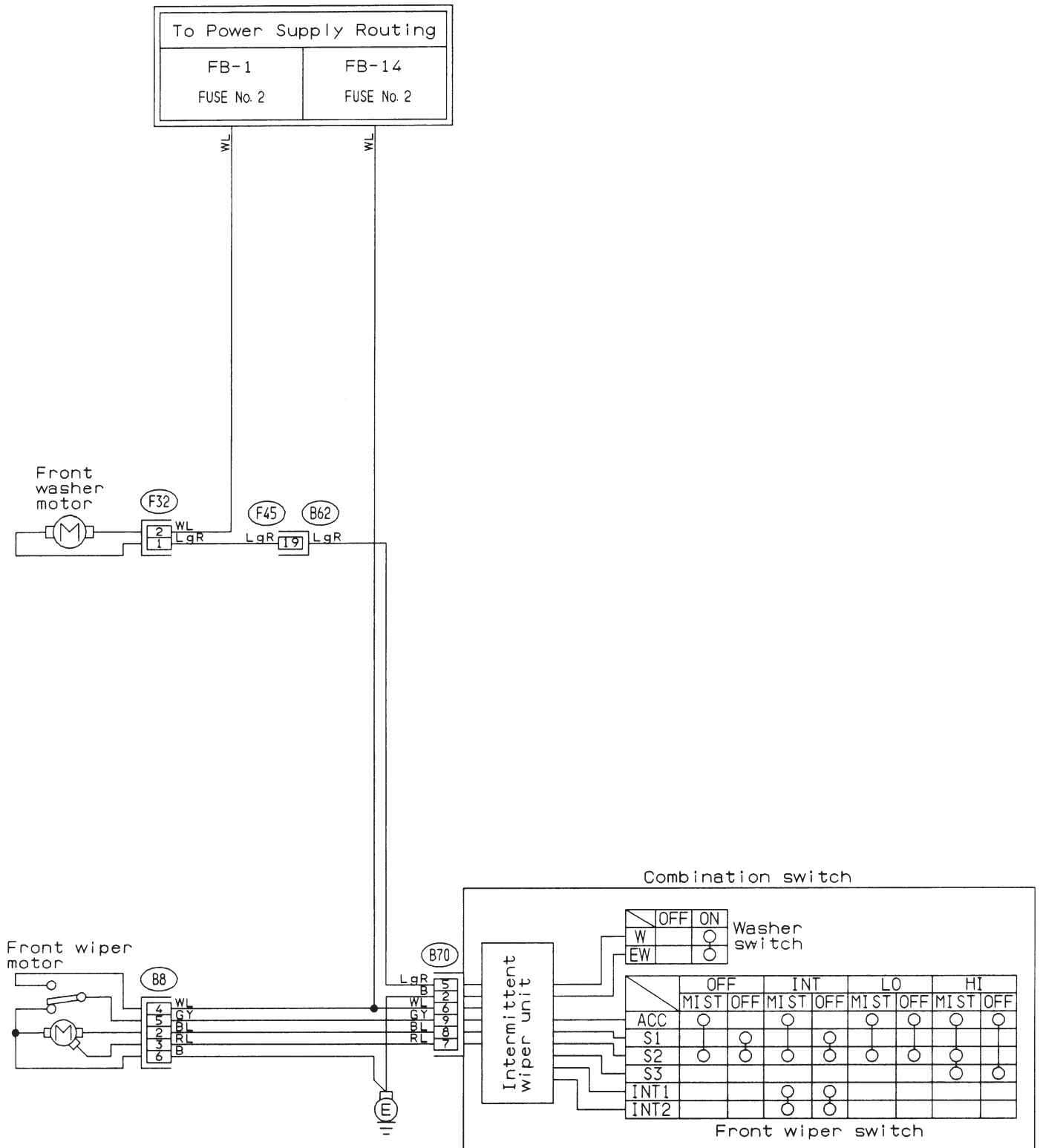
AG: SUNROOF SYSTEM



BU75-03

AH: WIPER AND WASHER SYSTEM (FRONT)

1. LHD MODEL



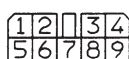
(F32) (Green)



(B8)



(B70)

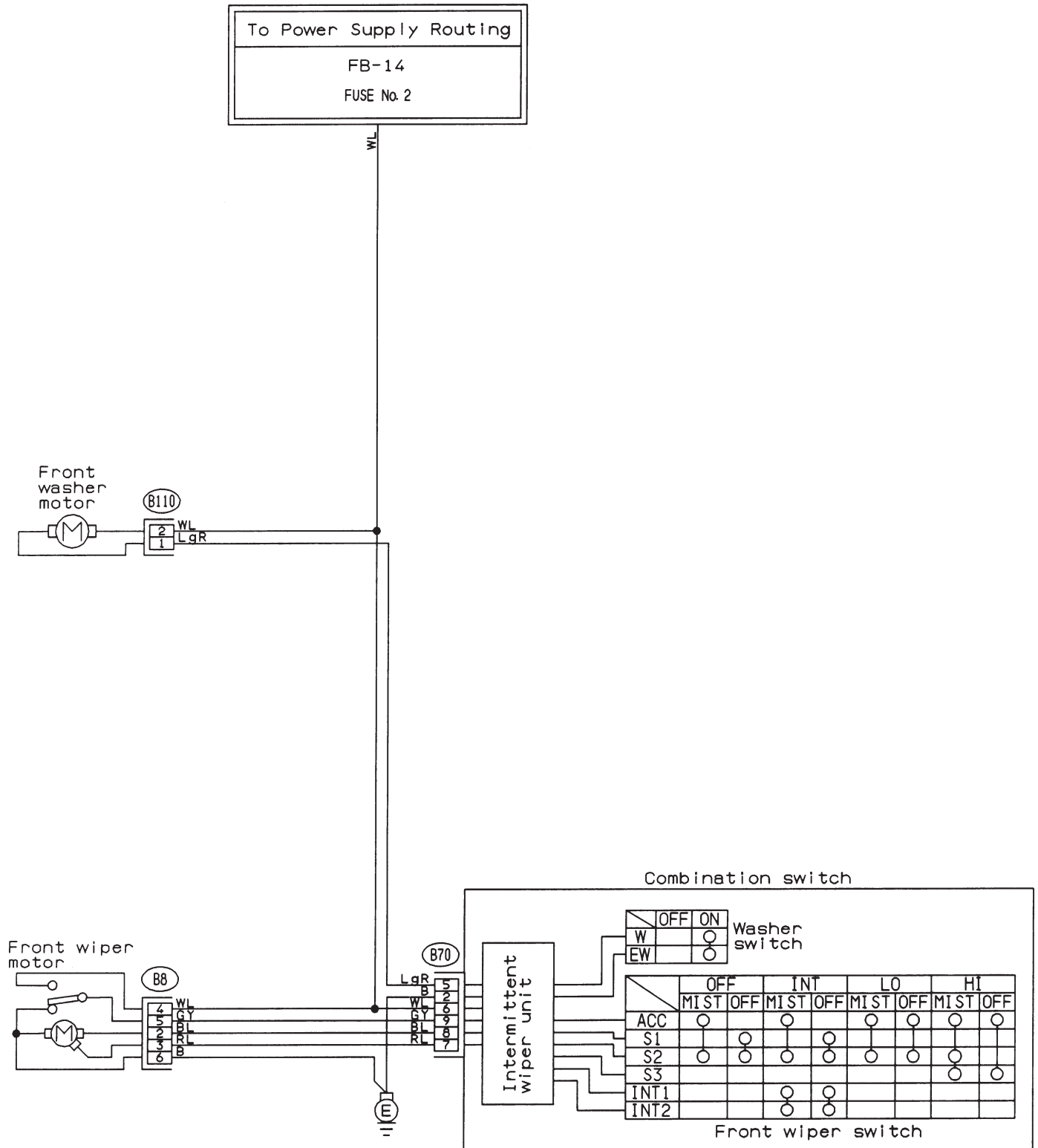


(F45)



WIRING DIAGRAM

2. RHD MODEL



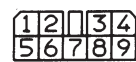
(B110) (Green)



(B8)



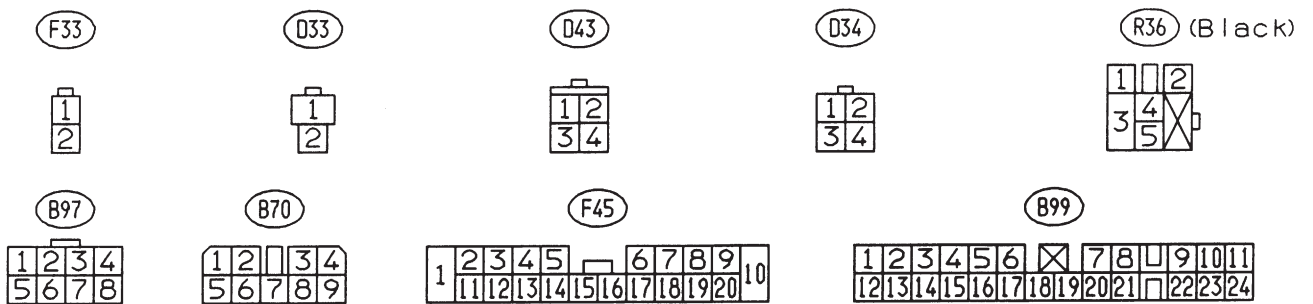
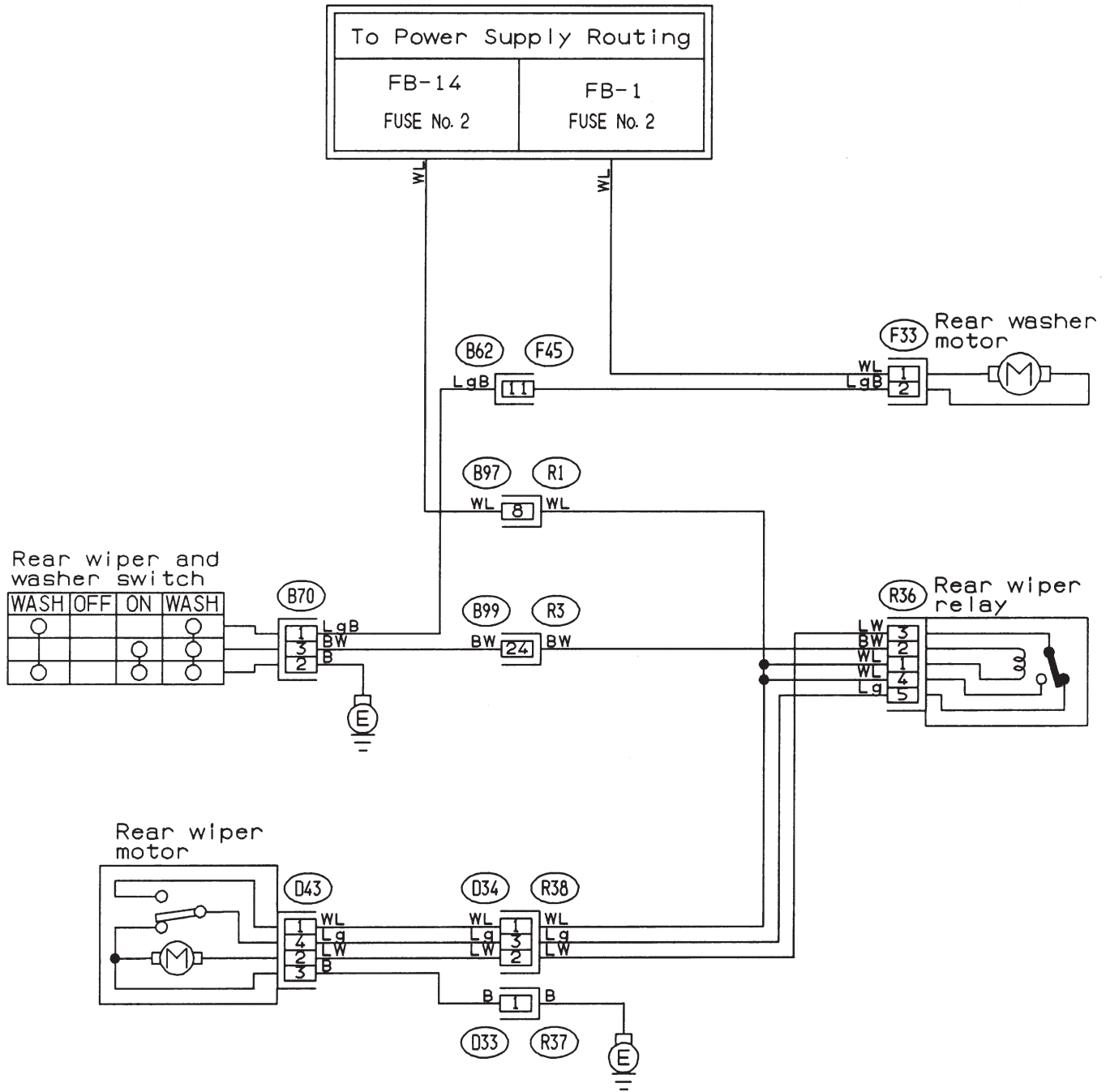
(B70)



WIRING DIAGRAM

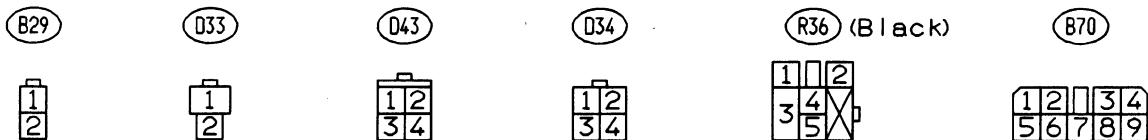
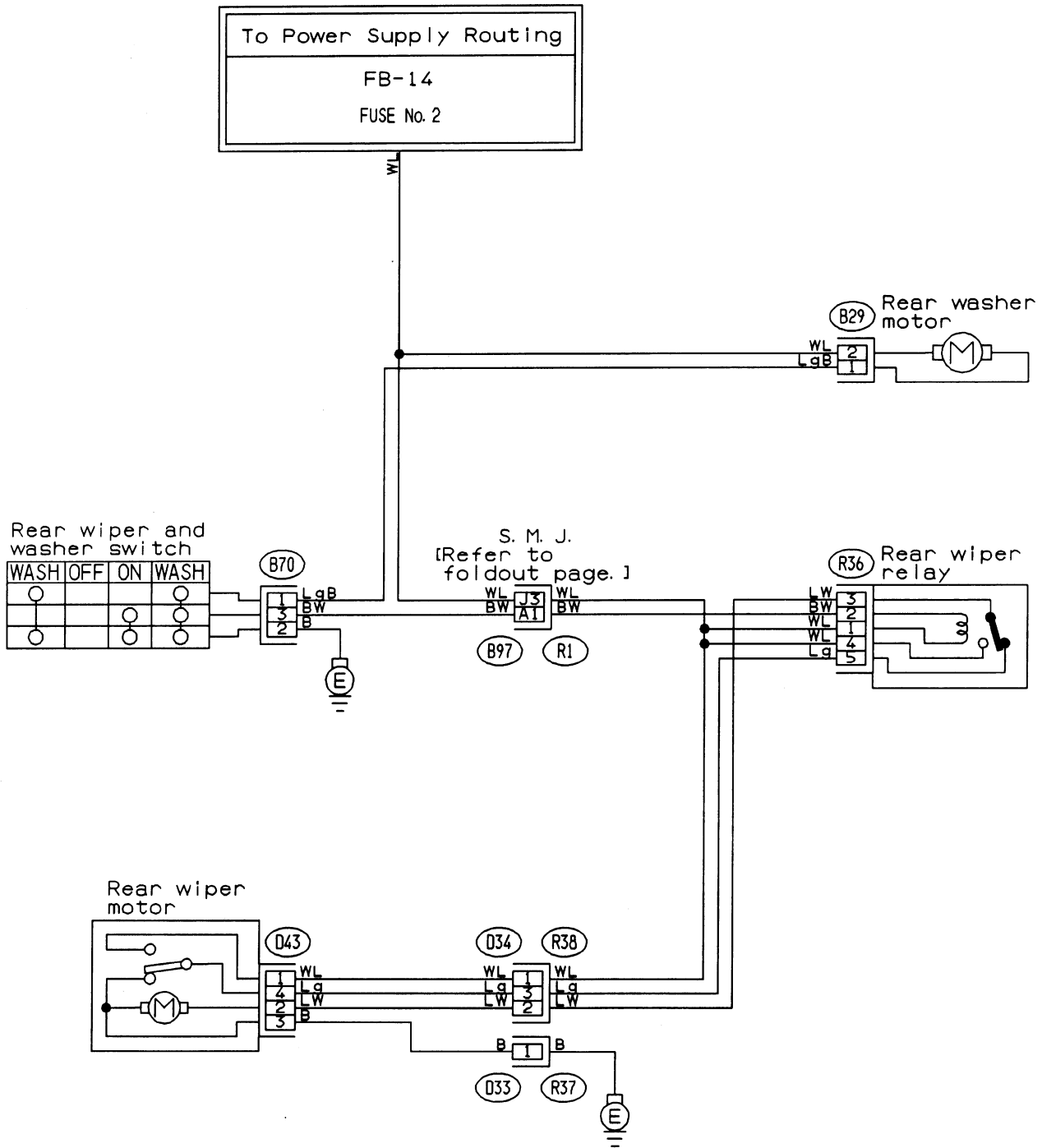
AI: WIPER AND WASHER SYSTEM (REAR)

1. LHD MODEL



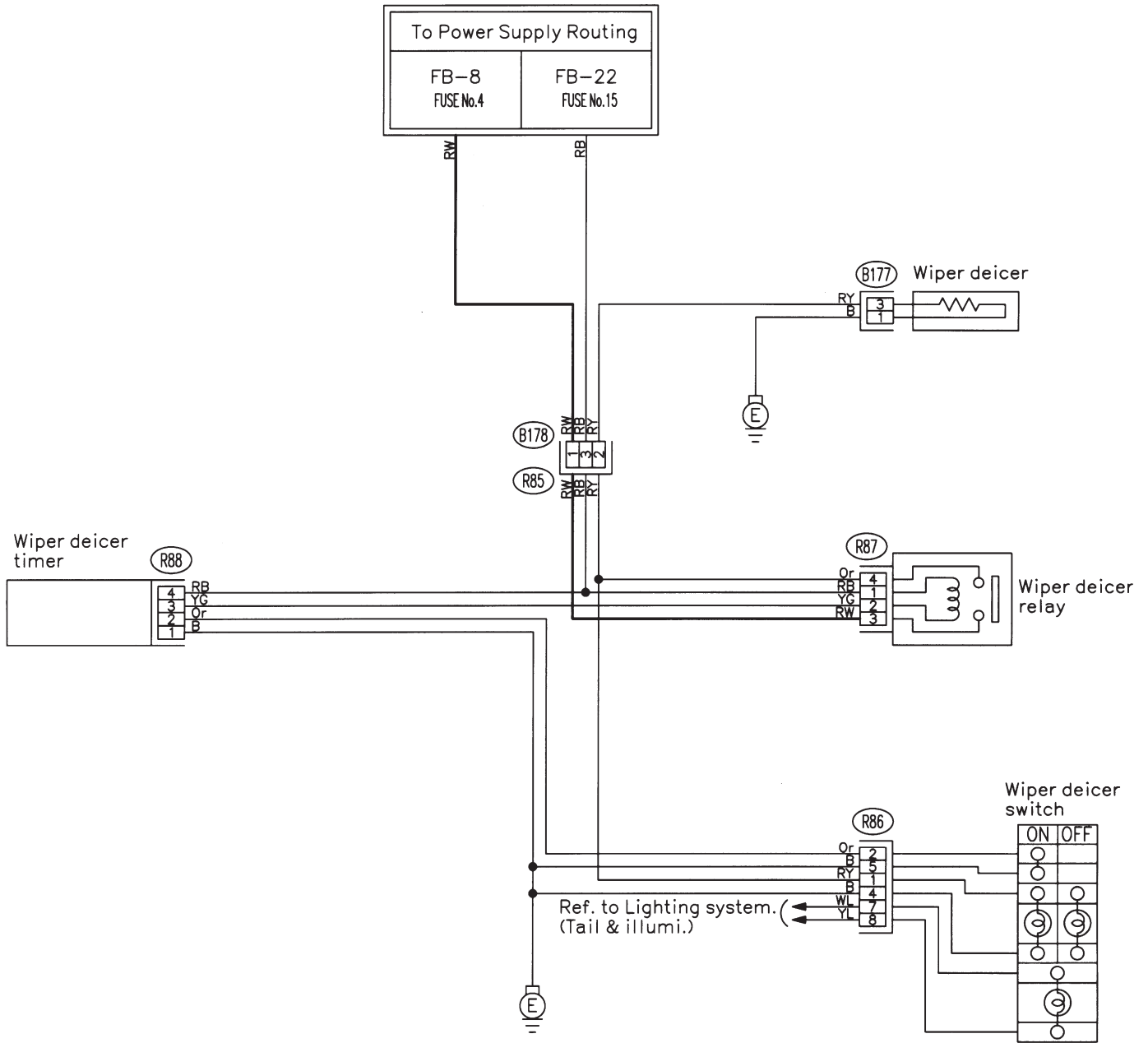
WIRING DIAGRAM

2. RHD MODEL



WIRING DIAGRAM

AJ: WIPER DEICER SYSTEM



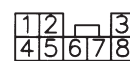
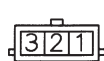
(B178)

(B177) (Gray)

(R88)

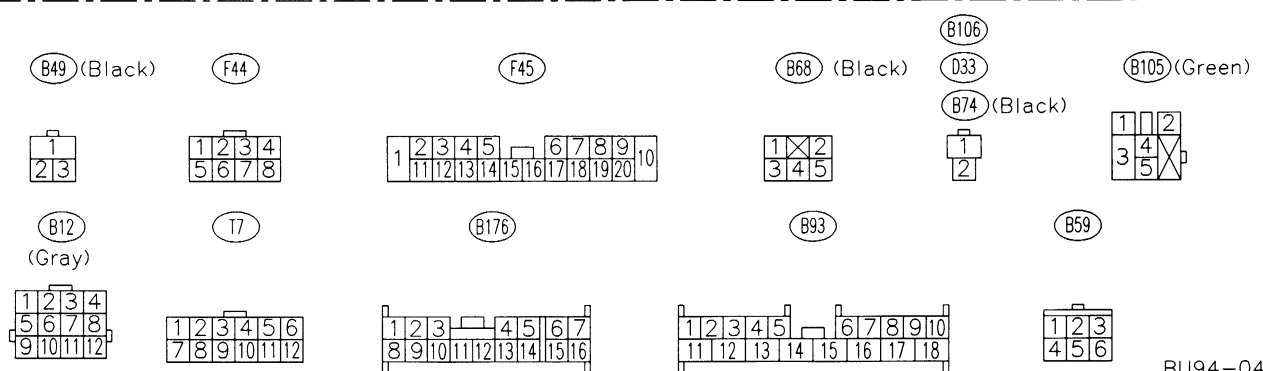
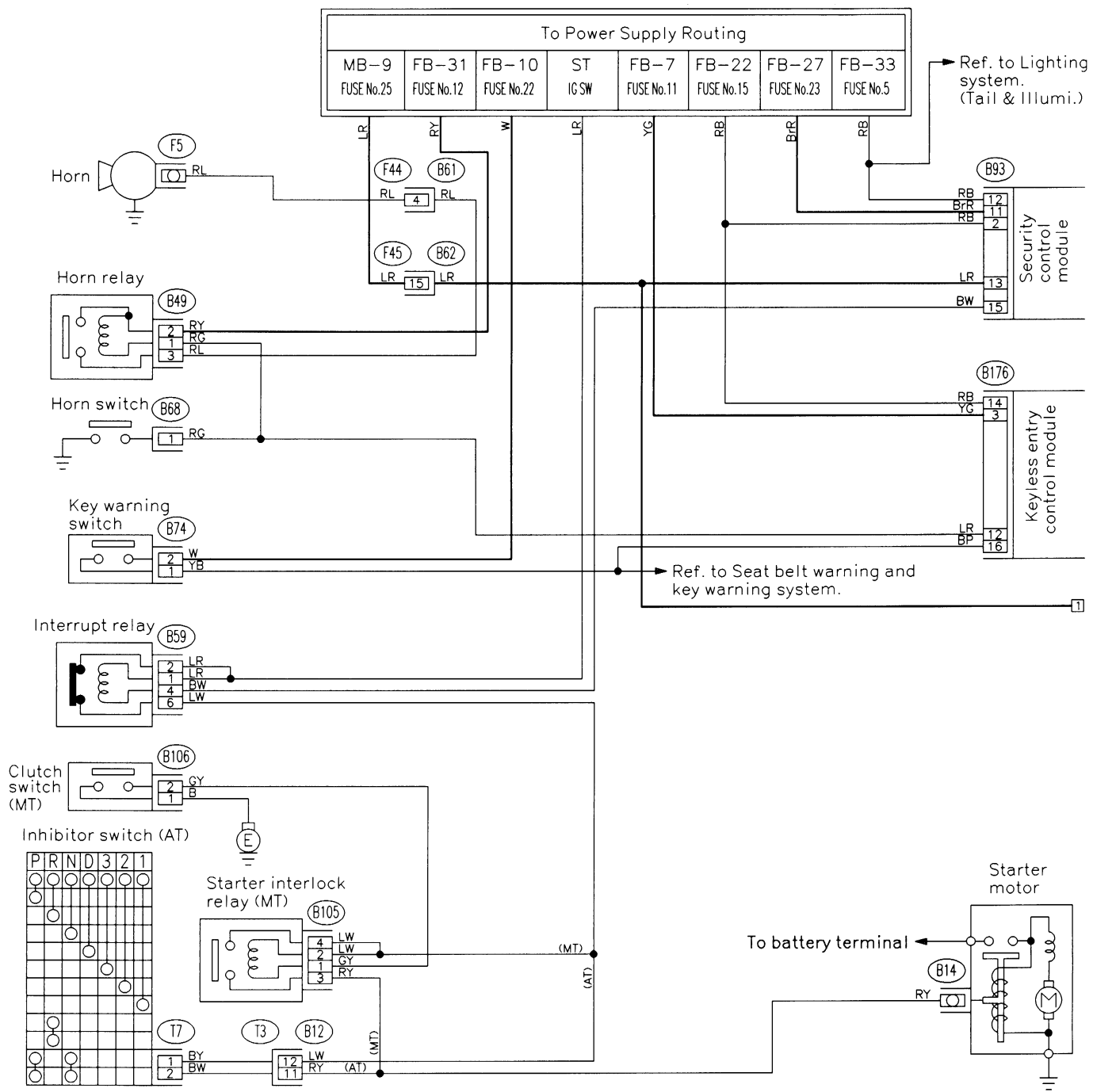
(R87) (Blue)

(R86)



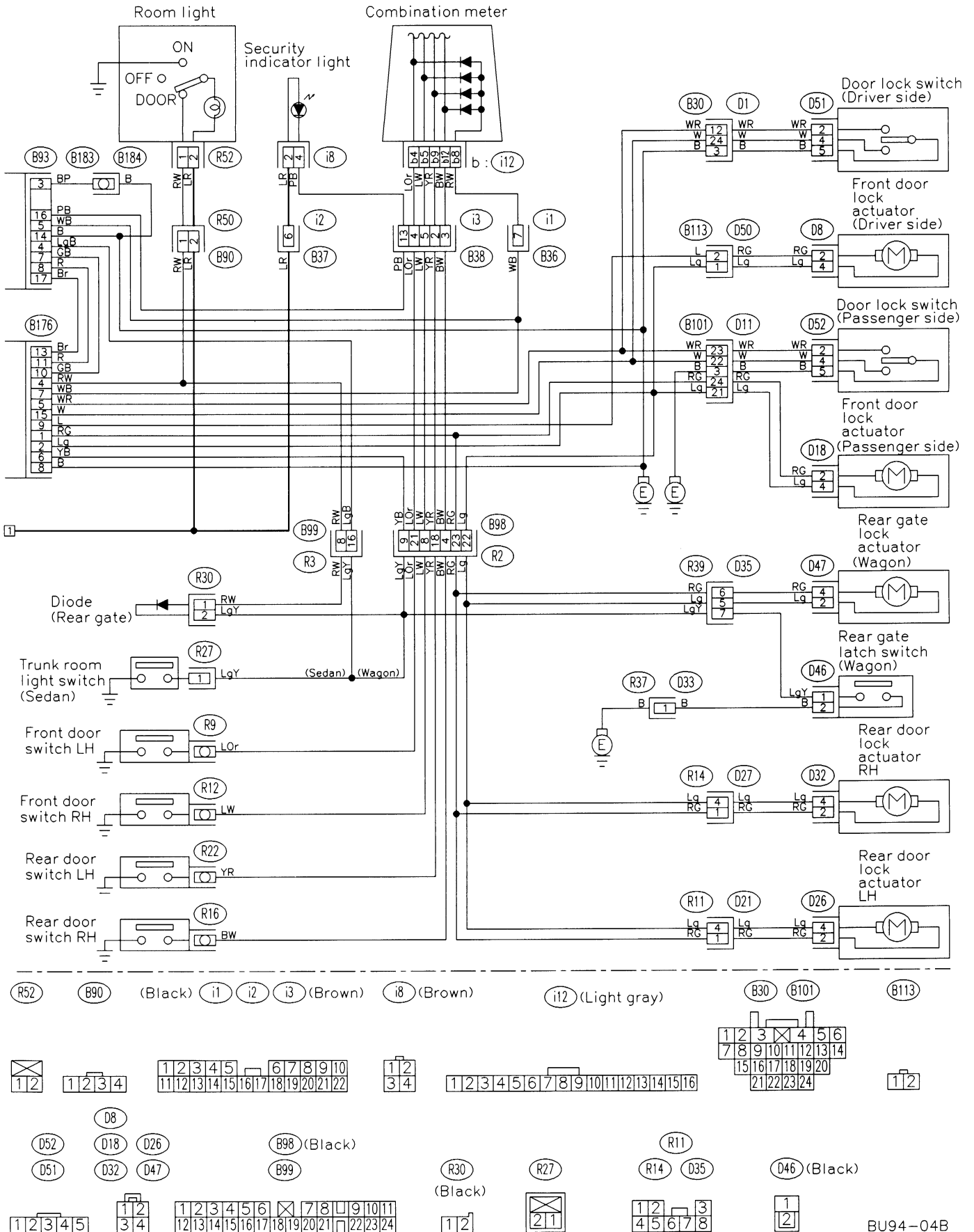
MEMO:

AK: KEYLESS ENTRY AND SECURITY SYSTEM



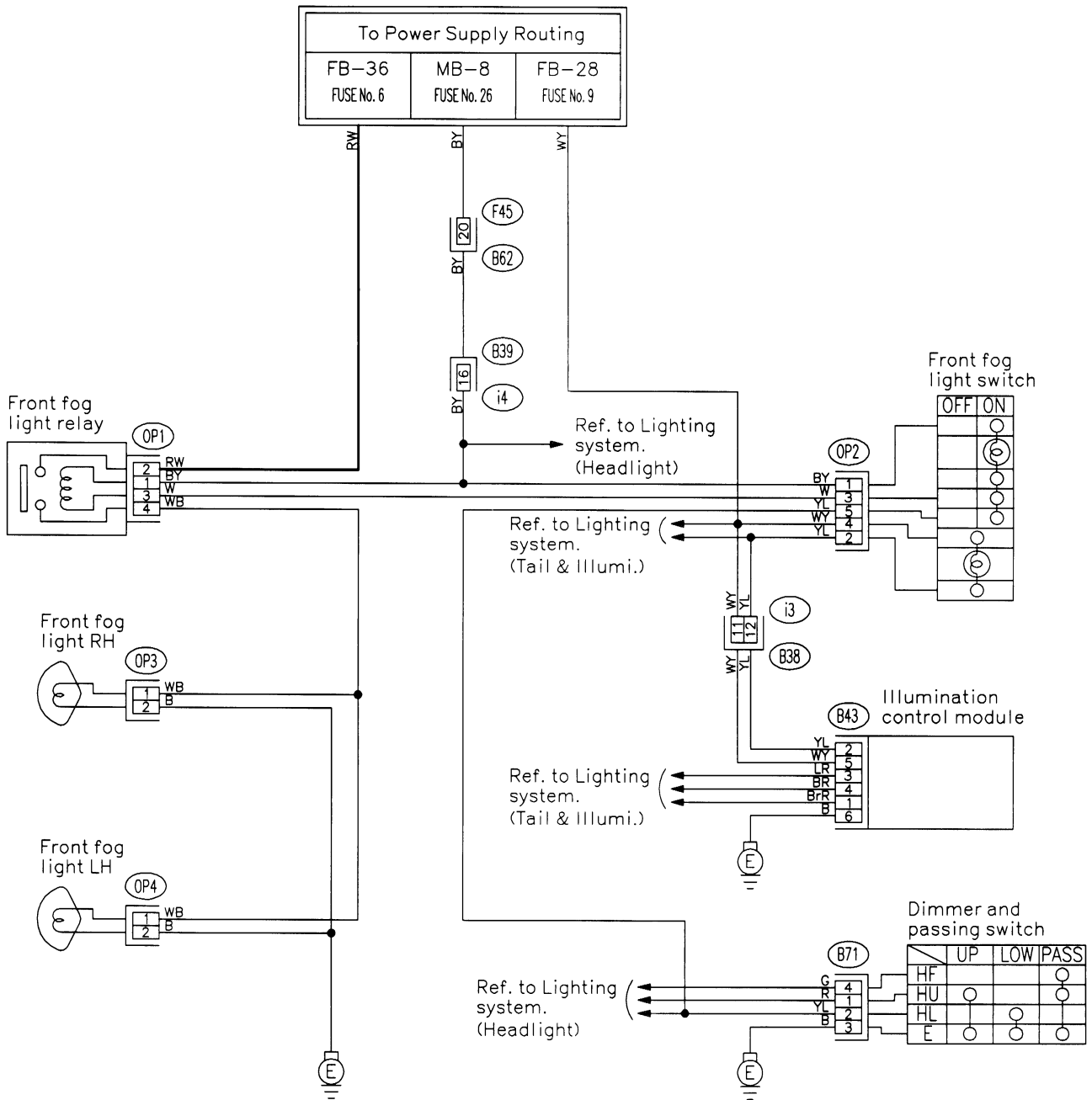
WIRING DIAGRAM

[D6AK0] 6-3
6. Wiring Diagram



WIRING DIAGRAM

AL: FRONT FOG LIGHT SYSTEM (OPTION)

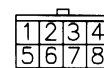


OP3 OP4

OP1

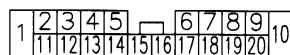
(Yellow) OP2 B43 (Black)

B71



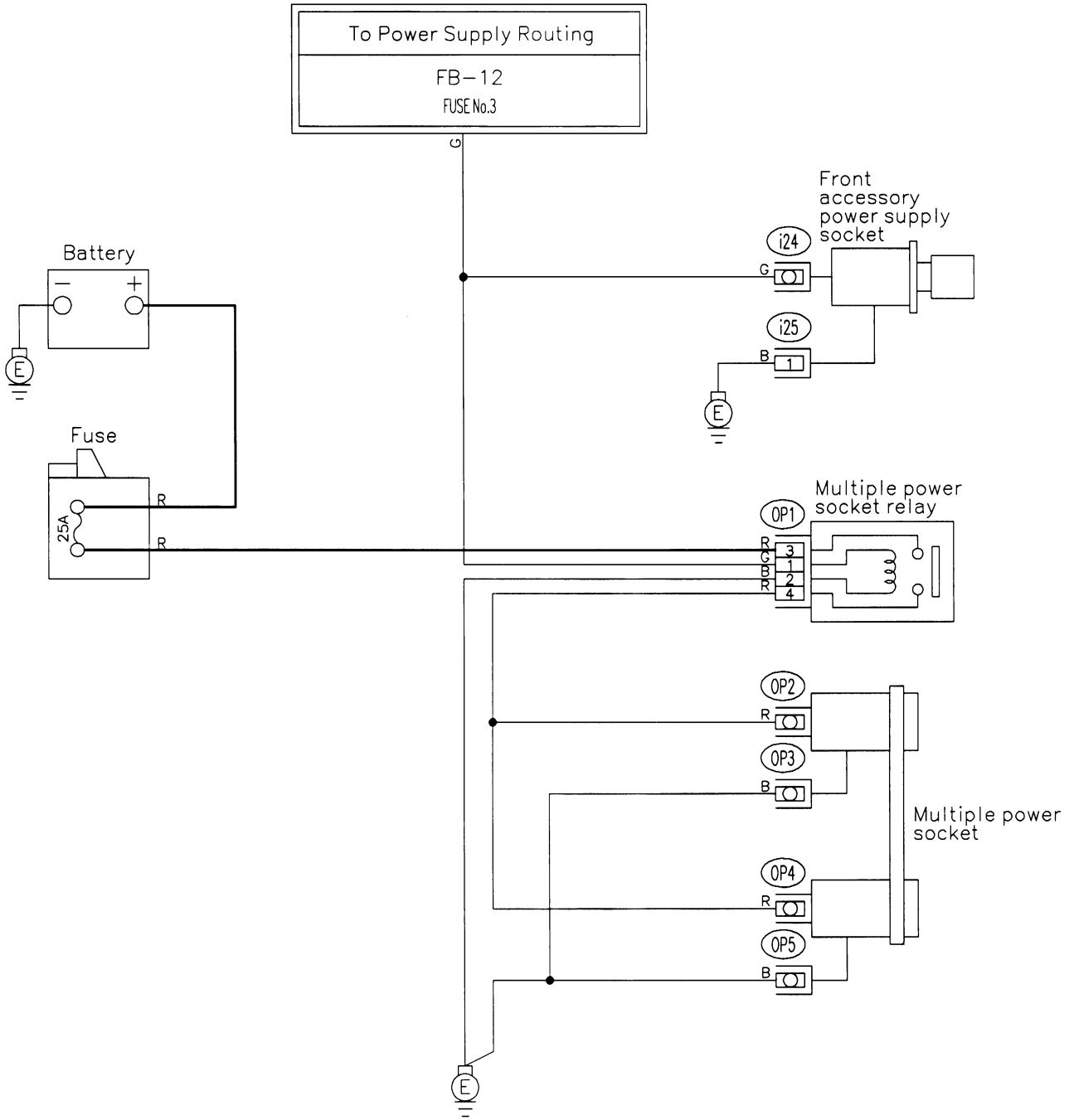
F45 i4 (Blue)

i3 (Brown)



WIRING DIAGRAM

AM: MULTIPLE POWER SOCKET SYSTEM (OPTION)



(i25)

(OP1) (Blue)



BU92-01

AN: TRAILER WIRE HARNESS (OPTION)

