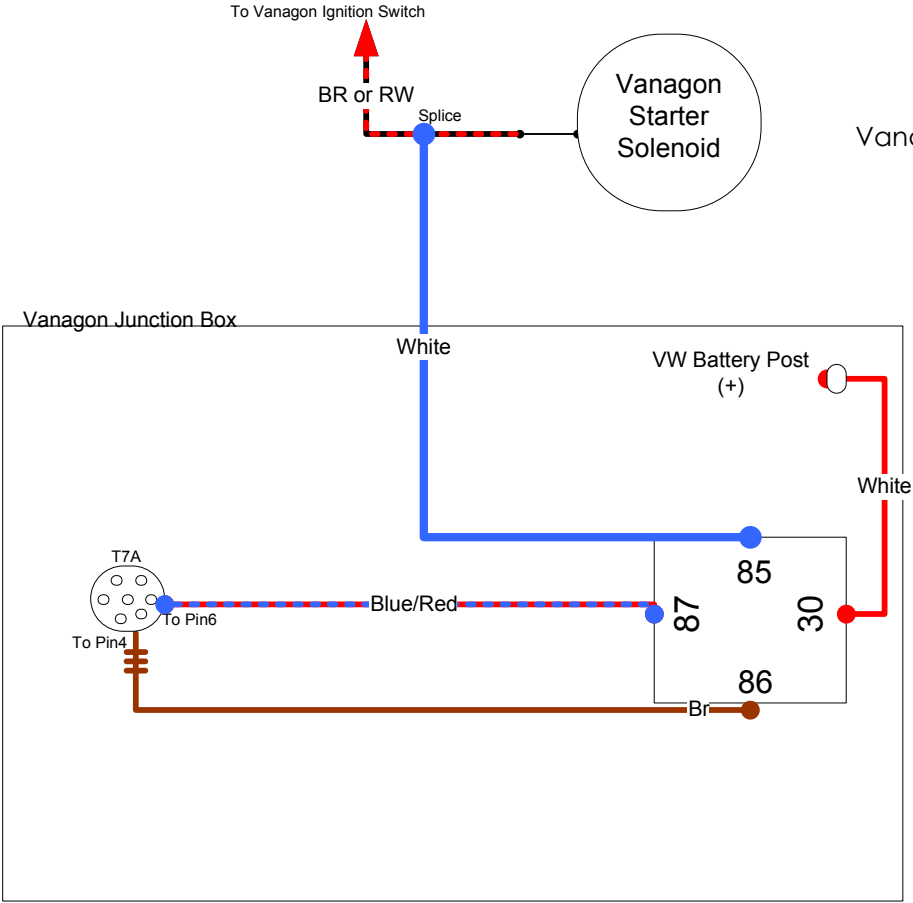


Sylvia Smith
Subaru EJ25
Vanagon Conversion Starter
Tickle Wiring
BCWeide - 2011



Starter Tickler Wire had .3 volts at engine idle (after starting). Installed relay to limit feed to 12 volts only during startup. Eliminates cycling idle in drive/reverse at standstill.